



Chipsmall Limited consists of a professional team with an average of over 10 year of expertise in the distribution of electronic components. Based in Hongkong, we have already established firm and mutual-benefit business relationships with customers from,Europe,America and south Asia,supplying obsolete and hard-to-find components to meet their specific needs.

With the principle of “Quality Parts,Customers Priority,Honest Operation,and Considerate Service”,our business mainly focus on the distribution of electronic components. Line cards we deal with include Microchip,ALPS,ROHM,Xilinx,Pulse,ON,Everlight and Freescale. Main products comprise IC,Modules,Potentiometer,IC Socket,Relay,Connector.Our parts cover such applications as commercial,industrial, and automotives areas.

We are looking forward to setting up business relationship with you and hope to provide you with the best service and solution. Let us make a better world for our industry!



Contact us

Tel: +86-755-8981 8866 Fax: +86-755-8427 6832

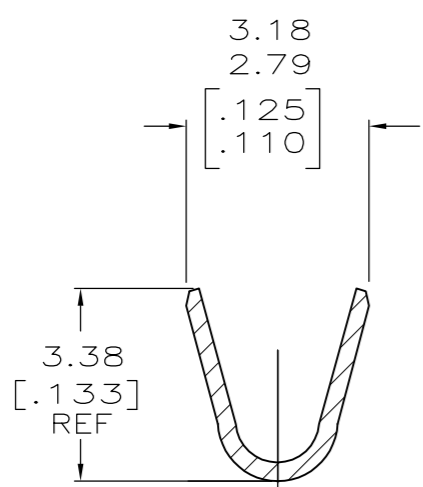
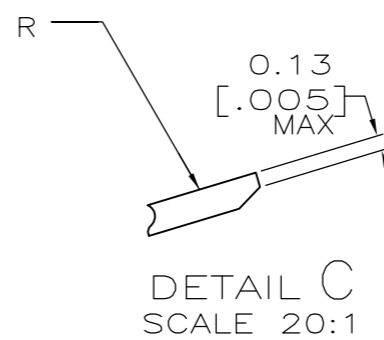
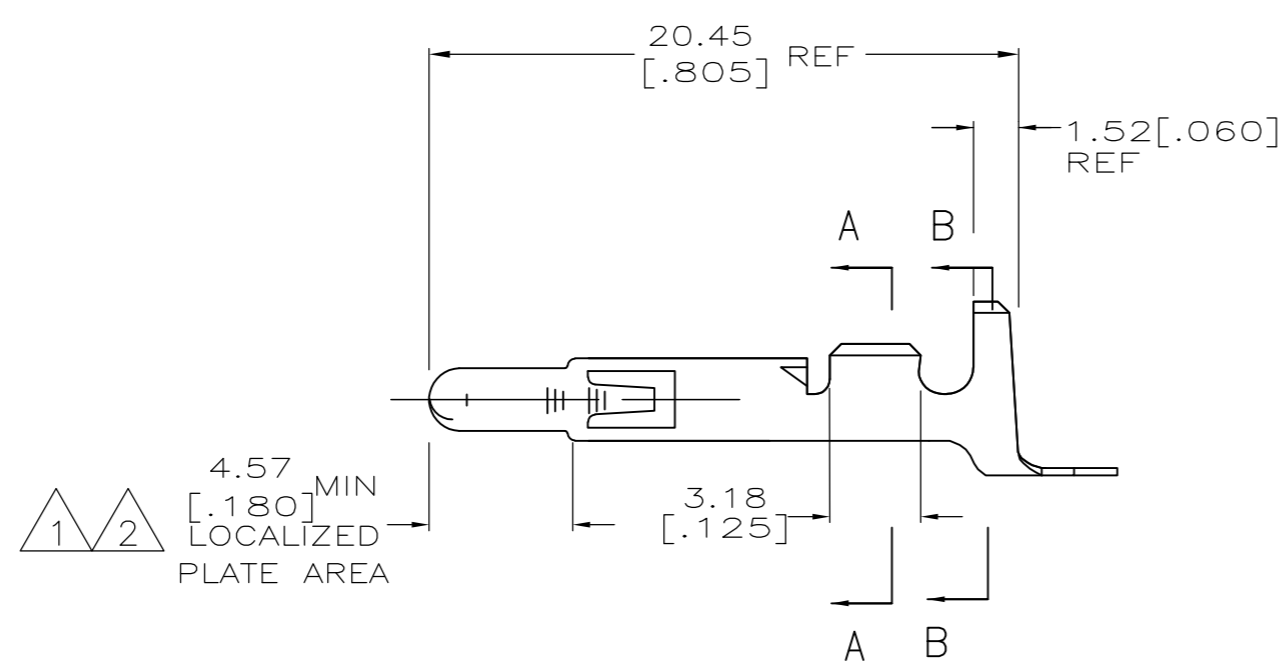
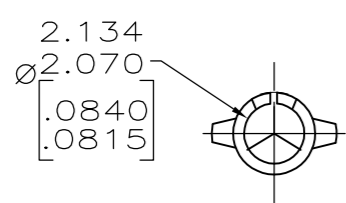
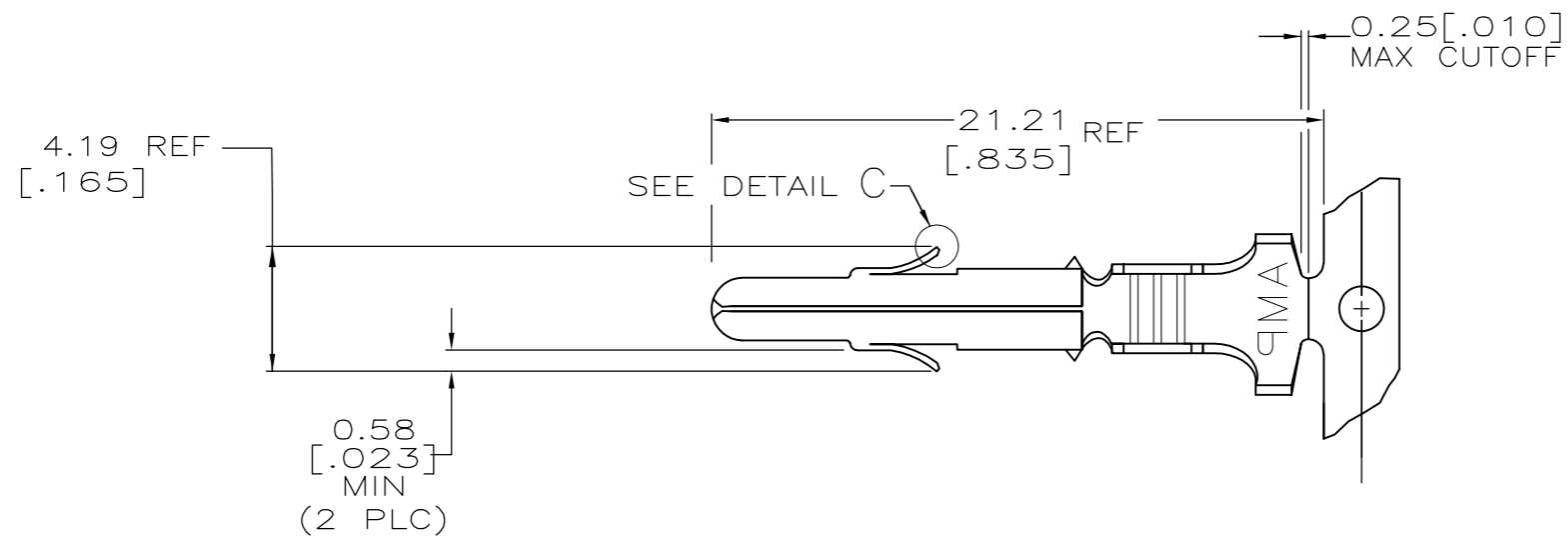
Email & Skype: info@chipsmall.com Web: www.chipsmall.com

Address: A1208, Overseas Decoration Building, #122 Zhenhua RD., Futian, Shenzhen, China

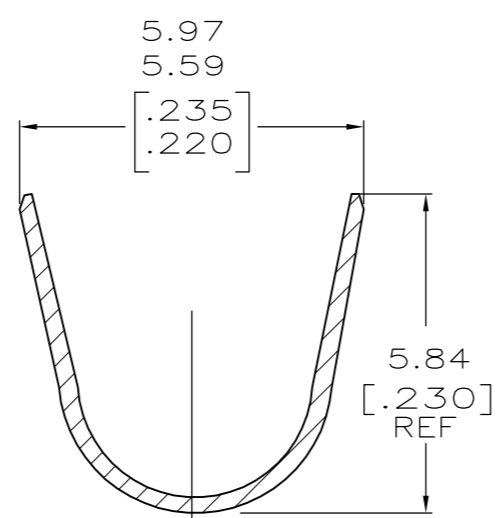


THIS DRAWING IS UNPUBLISHED. RELEASED FOR PUBLICATION
 © COPYRIGHT - By - ALL RIGHTS RESERVED.

LOC		DIST		REVISIONS			
P	LTR	DESCRIPTION		DATE	DWN	APVD	
CM	00	AB	REVISED PER ECR-12-013323		09AUG12	KH	TM



SECTION A-A
SCALE 10:1



SECTION B-B
SCALE 10:1

- 1 0.00076[.000030] MIN THK GOLD IN LOCALIZED PLATE AREA AND 0.000127[.000005] MIN THK GOLD FLASH ON REMAINDER OF CONTACT OVER 0.00127[.000050] MIN THK NICKEL UNDERPLATE.
- 2 0.00076[.000030] MIN THK GOLD IN LOCALIZED PLATE AREA OVER 0.00127[.000050] MIN THK NICKEL UNDERPLATE.
- 3 DIMENSIONS IN BRACKETS ARE IN INCHES.
- 4 WIRE RANGE: 20-14 AWG
INSULATION RANGE: 3.30-5.08 [.130-.200] DIA.

350552-7	GOLD	2	0.30 [.012]	BRASS	350538-7
350552-6	GOLD	2	0.30 [.012]	PH BZ	350538-6
350552-3	TIN		0.30 [.012]	PH BZ	350538-3
350552-2	GOLD	1	0.30 [.012]	BRASS	350538-2
350552-1	TIN		0.30 [.012]	BRASS	350538-1
LOOSE PIECE (REF)	FINISH		MATERIAL	PART NO	

THIS DRAWING IS A CONTROLLED DOCUMENT.		DWN K. WHITAKER 16-FEB-04	TE Connectivity PIN, UNIVERSAL MATE-N-LOK™					
DIMENSIONS: mm [INCHES]		CHK S. RIDGILL 16-FEB-04				NAME	SIZE	CAGE CODE
TOLERANCES UNLESS OTHERWISE SPECIFIED: 0 PLC ± - 1 PLC ± - 2 PLC ± - 3 PLC ± 0.20.008] 4 PLC ± - ANGLES ± -		APVD S. RIDGILL 16-FEB-04				PRODUCT SPEC	DRAWING NO	RESTRICTED TO
MATERIAL SEE TABLE		FINISH SEE TABLE				APPLICATION SPEC	SCALE	SHEET
		WEIGHT	A2 00779 C=350538		REV			
		CUSTOMER DRAWING		SCALE 4:1	SHEET 1 OF 1			