



Chipsmall Limited consists of a professional team with an average of over 10 year of expertise in the distribution of electronic components. Based in Hongkong, we have already established firm and mutual-benefit business relationships with customers from,Europe,America and south Asia,supplying obsolete and hard-to-find components to meet their specific needs.

With the principle of "Quality Parts,Customers Priority,Honest Operation,and Considerate Service",our business mainly focus on the distribution of electronic components. Line cards we deal with include Microchip,ALPS,ROHM,Xilinx,Pulse,ON,Everlight and Freescale. Main products comprise IC,Modules,Potentiometer,IC Socket,Relay,Connector.Our parts cover such applications as commercial,industrial, and automotives areas.

We are looking forward to setting up business relationship with you and hope to provide you with the best service and solution. Let us make a better world for our industry!



Contact us

Tel: +86-755-8981 8866 Fax: +86-755-8427 6832

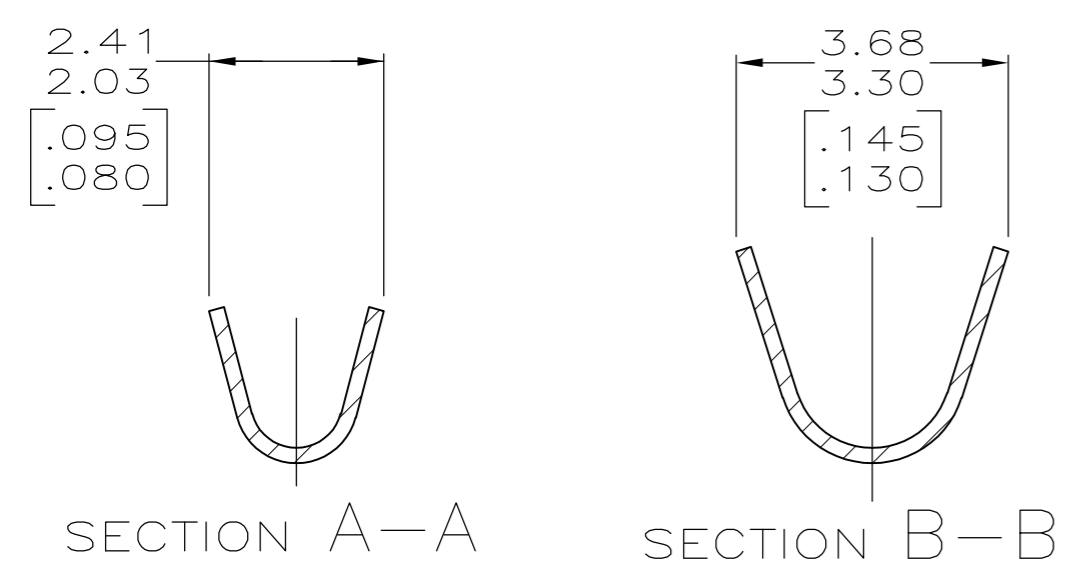
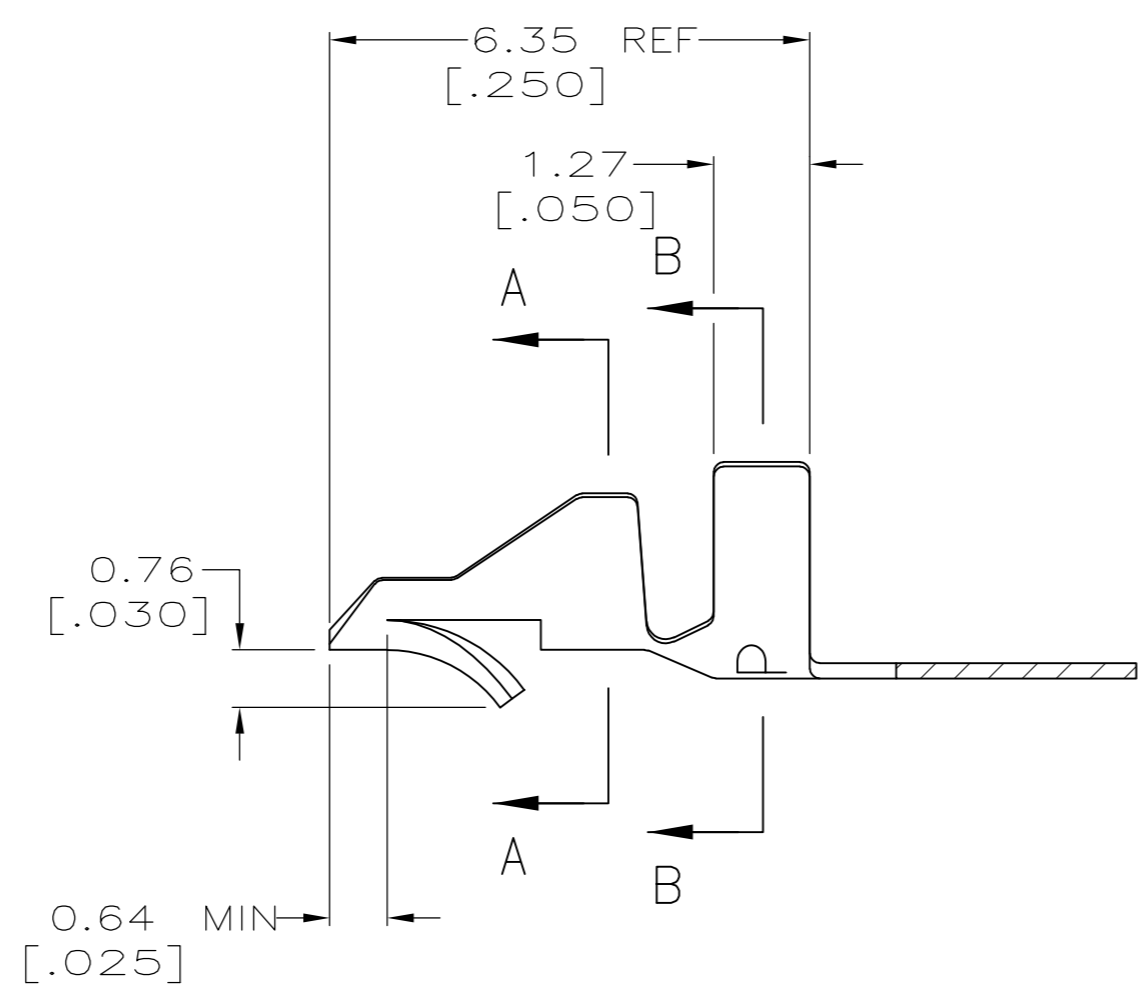
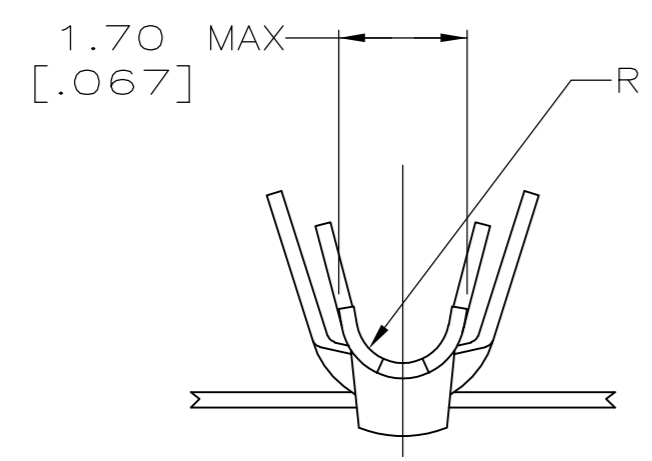
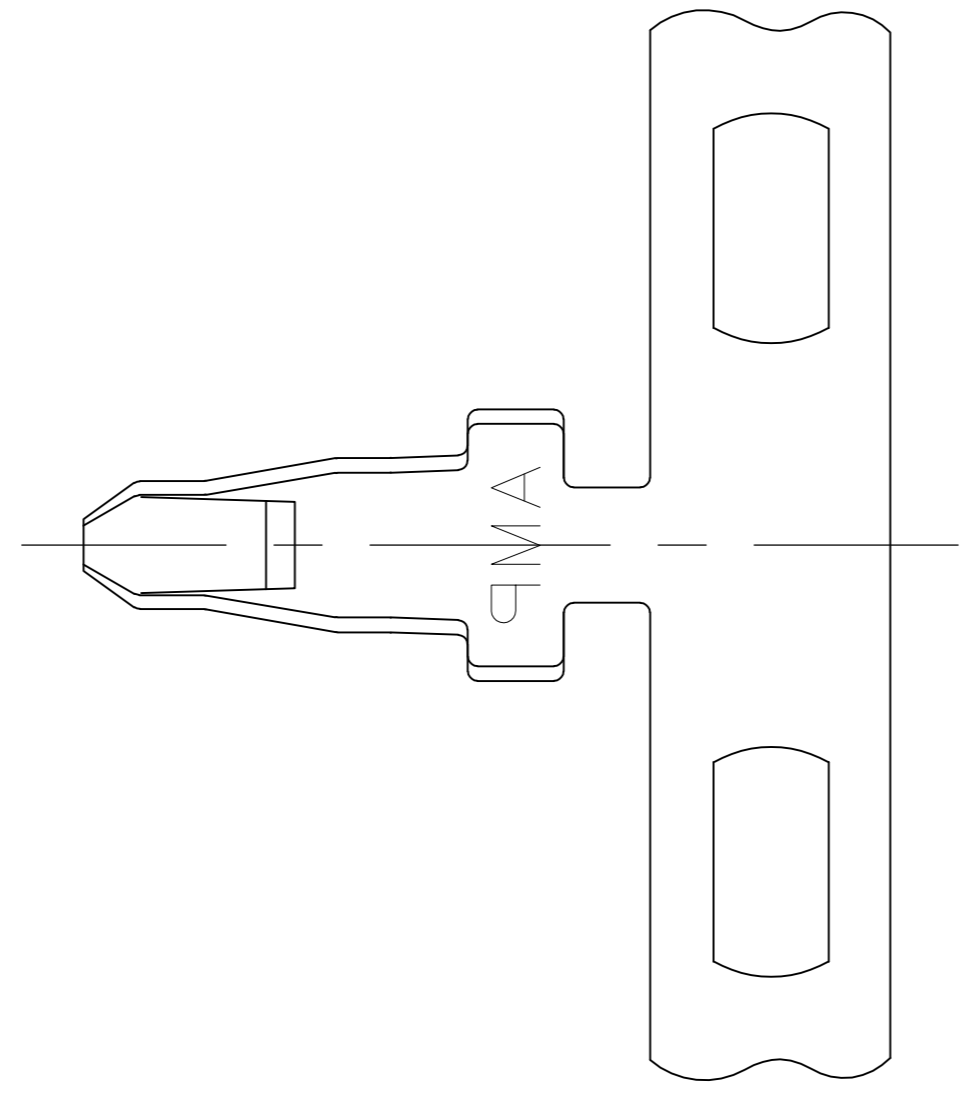
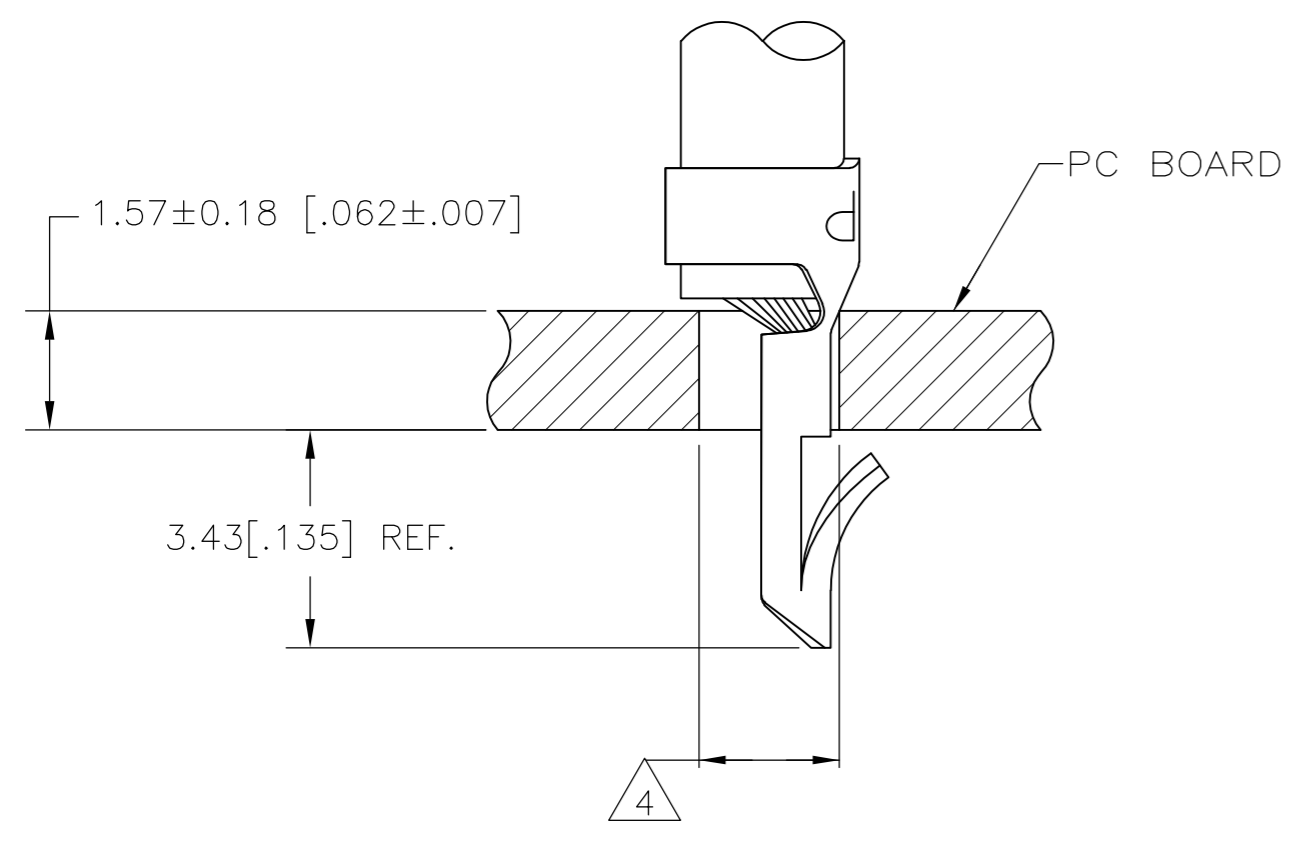
Email & Skype: info@chipsmall.com Web: www.chipsmall.com

Address: A1208, Overseas Decoration Building, #122 Zhenhua RD., Futian, Shenzhen, China



THIS DRAWING IS UNPUBLISHED. RELEASED FOR PUBLICATION
 © COPYRIGHT - By - ALL RIGHTS RESERVED.

LOC		DIST		REVISIONS			
P	LTR	DESCRIPTION		DATE	DWN	APVD	
CM	00	AB4	REVISED PER ECO-11-020968	18OCT11	JR	SM	



- 1 PARTS COMPLY WITH AMP SOLDERABILITY SPEC 109-11-3.
- 2 PARTS COMPLY WITH AMP SOLDERABILITY SPEC 109-11-5.
- 3 PARTS COMPLY WITH AMP SOLDERABILITY SPEC 109-11-1.
- 4 HOLE DIAMETER TO BE 1.83±0.08 FOR WIRE 0.3-0.6mm² (20-22 AWG) OR 1.96±0.08 FOR WIRE 0.8-0.9mm² (18 AWG).
- 5 CARRIER STRIP TO HAVE 1.52 [.060] DIA PILOT HOLE.
- 6 0.00508 [.000200] MIN BRIGHT TIN-LEAD.
- 7 0.00318 [.000150] MIN MATTE TIN-LEAD OVER 0.00305 [.000120] MIN MATTE COPPER.
- 8 0.00305 [.000120] MIN TIN OVER 0.00102 [.000040] MIN NICKEL.
- 9 WIRE RANGE: 0.3 -0.9 mm² (22 - 18 AWG).
- 10 INSULATION RANGE: 1.52 - 2.79 [.060 - .110] DIA.
- 11 DIMENSIONS IN BRACKETS ARE IN INCHES.
- 12 0.00508 [.000200] MIN BRIGHT TIN.

NOTES	FINISH	MATERIAL	PART NO.
1	12	0.20 [.008] PH BRZ	3-350566-1
3	5	0.20 [.008] BRASS	350566-7
3	8	0.20 [.008] BRASS	350566-5
2	8	0.20 [.008] BRASS	350566-3
1	6	0.20 [.008] PH BRZ	350566-1

THIS DRAWING IS A CONTROLLED DOCUMENT.

DWN	S. CARPENTER	20AUG2003
CHK	J. ELLIS	20AUG2003
APVD	J. ELLIS	20AUG2003
PRODUCT SPEC		
APPLICATION SPEC	114-1016	
WEIGHT	A2 00779 C=350566	
CUSTOMER DRAWING	SCALE 10:1	SHEET 1 of 1

TE Connectivity
 MINI AMP-IN (TM)

RESTRICTED TO
 REV AB4

