



Chipsmall Limited consists of a professional team with an average of over 10 year of expertise in the distribution of electronic components. Based in Hongkong, we have already established firm and mutual-benefit business relationships with customers from,Europe,America and south Asia,supplying obsolete and hard-to-find components to meet their specific needs.

With the principle of “Quality Parts,Customers Priority,Honest Operation,and Considerate Service”,our business mainly focus on the distribution of electronic components. Line cards we deal with include Microchip,ALPS,ROHM,Xilinx,Pulse,ON,Everlight and Freescale. Main products comprise IC,Modules,Potentiometer,IC Socket,Relay,Connector.Our parts cover such applications as commercial,industrial, and automotives areas.

We are looking forward to setting up business relationship with you and hope to provide you with the best service and solution. Let us make a better world for our industry!



## Contact us

Tel: +86-755-8981 8866 Fax: +86-755-8427 6832

Email & Skype: info@chipsmall.com Web: www.chipsmall.com

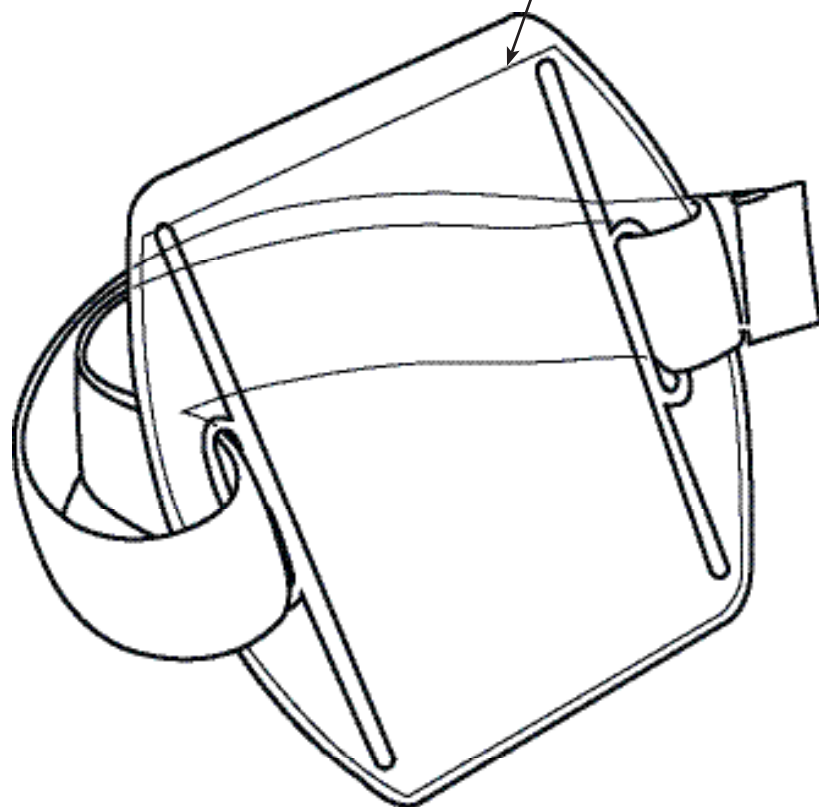
Address: A1208, Overseas Decoration Building, #122 Zhenhua RD., Futian, Shenzhen, China





Made in the United States of America

OPENING



### Features:

- Arm Band Badge Holder
  - Material Thickness (35061 & 35062):  
0.030" (2H) front & 0.020" (3S) back
  - Material Thickness (35190, 35191, & 35192):  
0.012" (1S) front & 0.054" (2H) back
  - Material Tolerance (thickness):  
±10%
- Adjustable to fit all size arms
- Conveniently adjusted with one hand with no need to remove badge holder from arm
- Use when it is preferable for badge to be secured around arm and not interfering with work, rather than to hang from neck or to attach to front of clothing
- 4" x 4 5/16" (Outer Dimension), 2 3/8" x 3 3/8" (Insert Size)
- Elastic band flexes with arm movement for secure fit
- Made in the United States of America

Item	Description
35061	Clear Arm Band Badge Holder, White Elastic Band
35062	Clear Arm Band Badge Holder, Black Elastic Band
35190	Orange Arm Band Badge Holder, Black Elastic Band
35191	Pink Arm Band Badge Holder, Black Elastic Band
35192	Green Arm Band Badge Holder, Black Elastic Band

Specifications and procedures subject to change without notice.

### ARM BAND BADGE HOLDER, 2 3/8" x 3 3/8" INSERT SIZE

3651 WALNUT AVENUE, CHINO, CA 91710  
PHONE: (909) 627-2453  
WEBSITE: [Menda-ID.com](http://Menda-ID.com)

DRAWING NUMBER  
35061

DATE  
December 2012

± 1/16" tolerances on dimensions unless specified

