



Chipsmall Limited consists of a professional team with an average of over 10 year of expertise in the distribution of electronic components. Based in Hongkong, we have already established firm and mutual-benefit business relationships with customers from,Europe,America and south Asia,supplying obsolete and hard-to-find components to meet their specific needs.

With the principle of “Quality Parts,Customers Priority,Honest Operation,and Considerate Service”,our business mainly focus on the distribution of electronic components. Line cards we deal with include Microchip,ALPS,ROHM,Xilinx,Pulse,ON,Everlight and Freescale. Main products comprise IC,Modules,Potentiometer,IC Socket,Relay,Connector.Our parts cover such applications as commercial,industrial, and automotives areas.

We are looking forward to setting up business relationship with you and hope to provide you with the best service and solution. Let us make a better world for our industry!



## Contact us

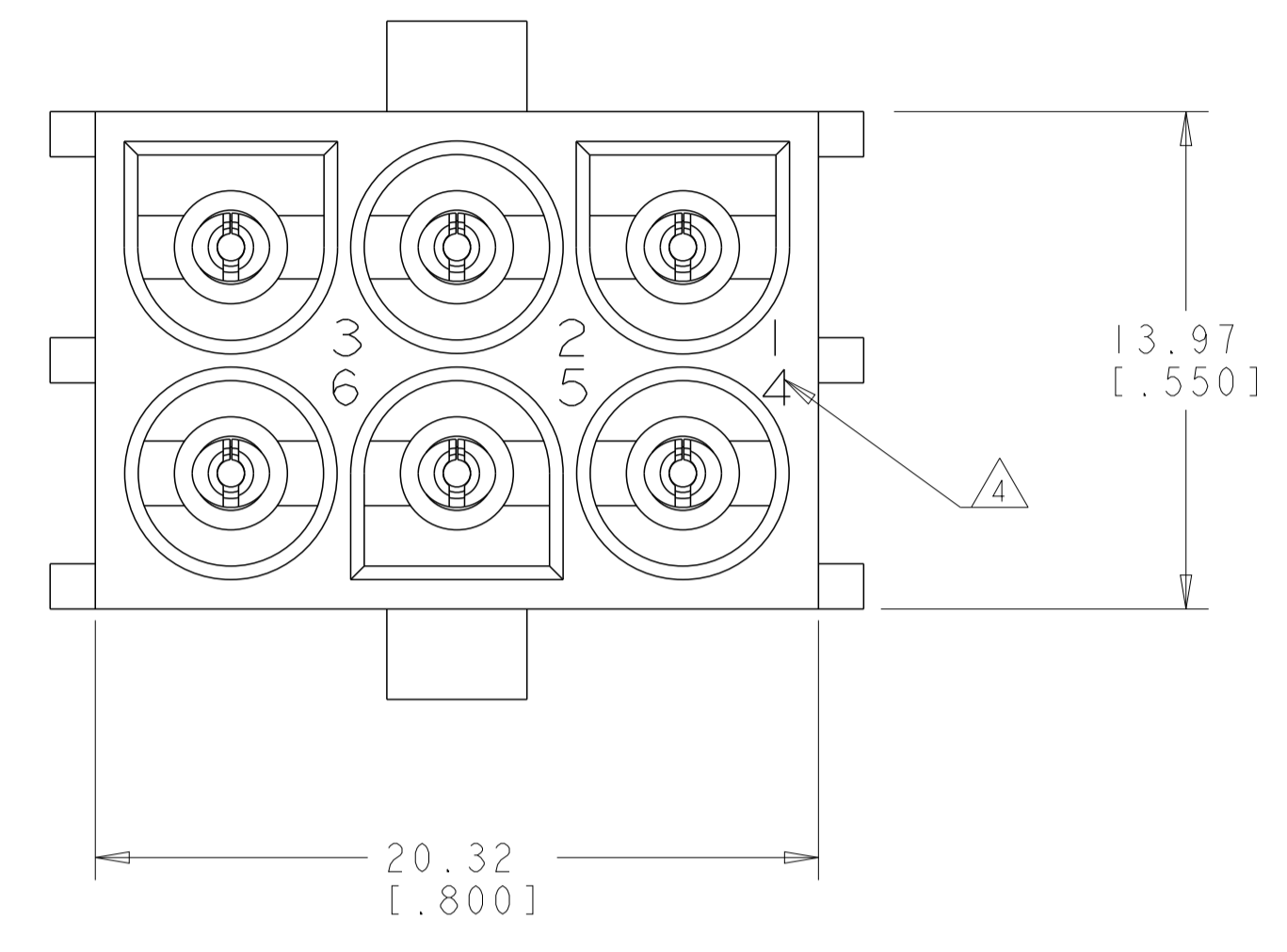
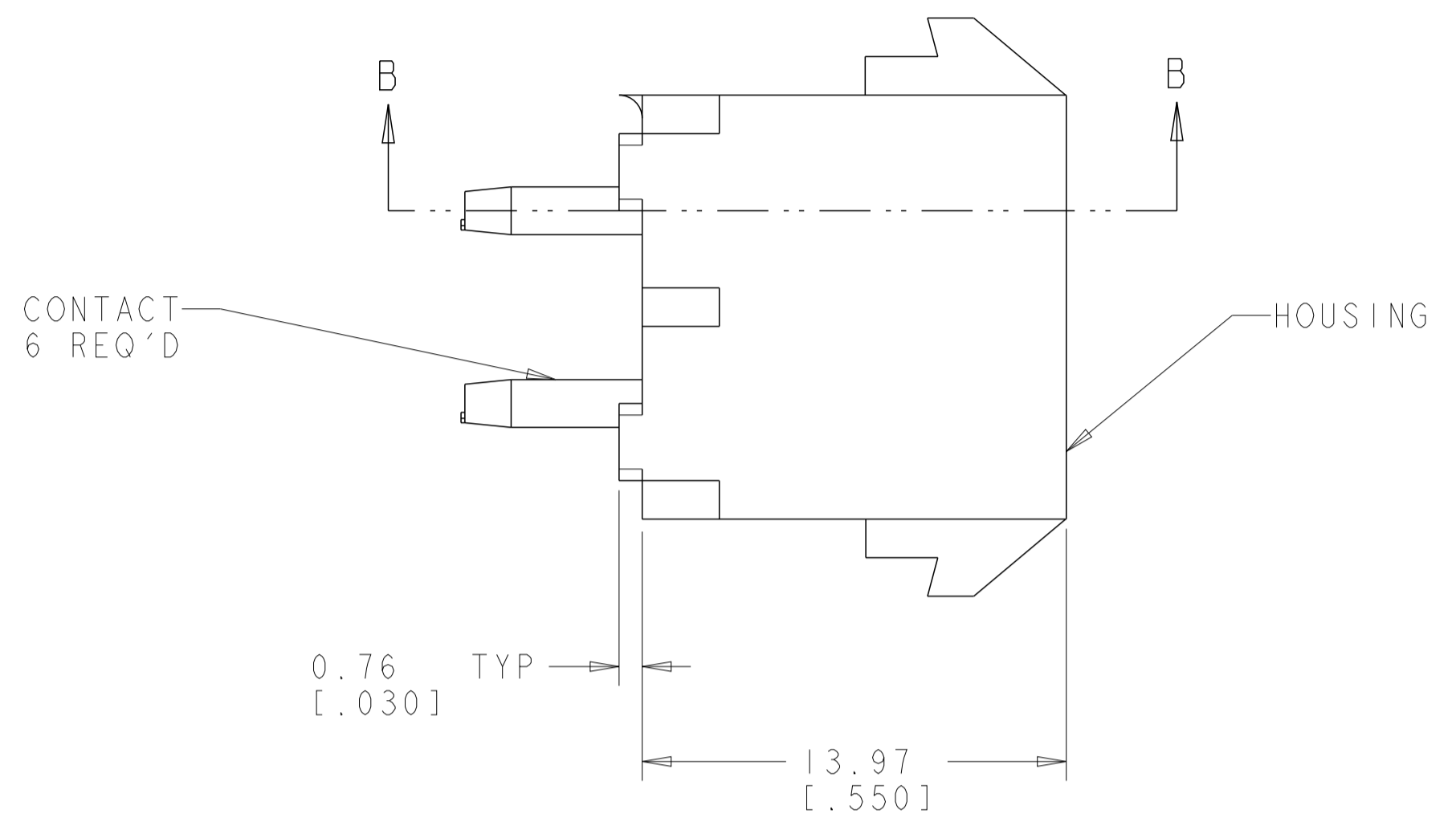
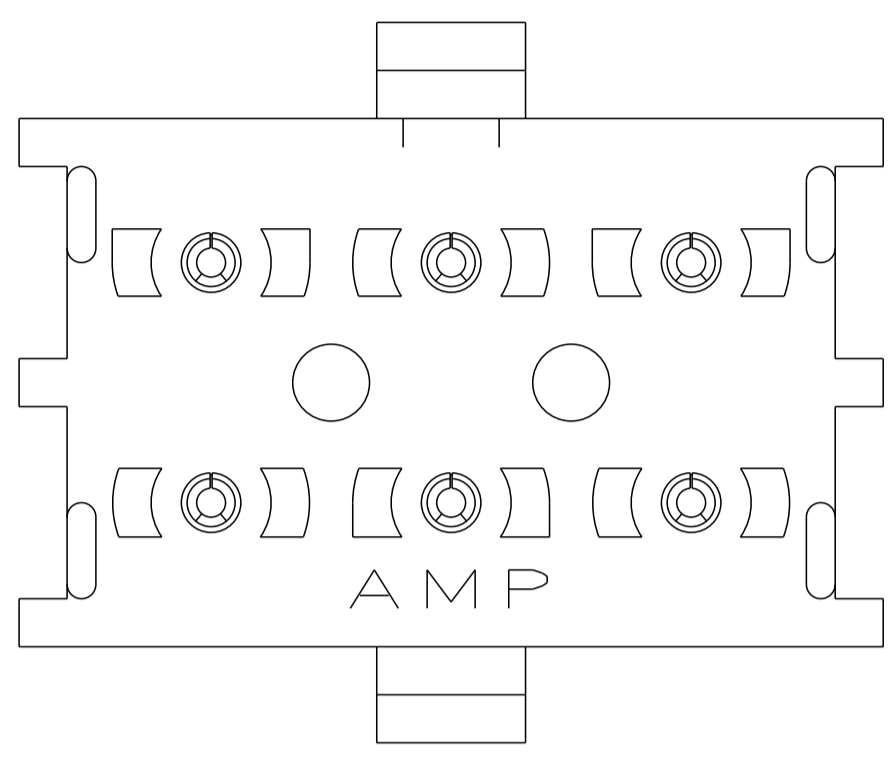
Tel: +86-755-8981 8866 Fax: +86-755-8427 6832

Email & Skype: info@chipsmall.com Web: www.chipsmall.com

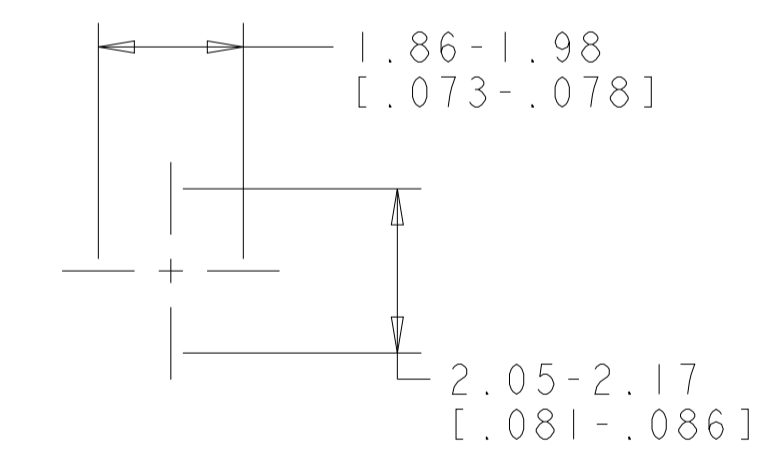
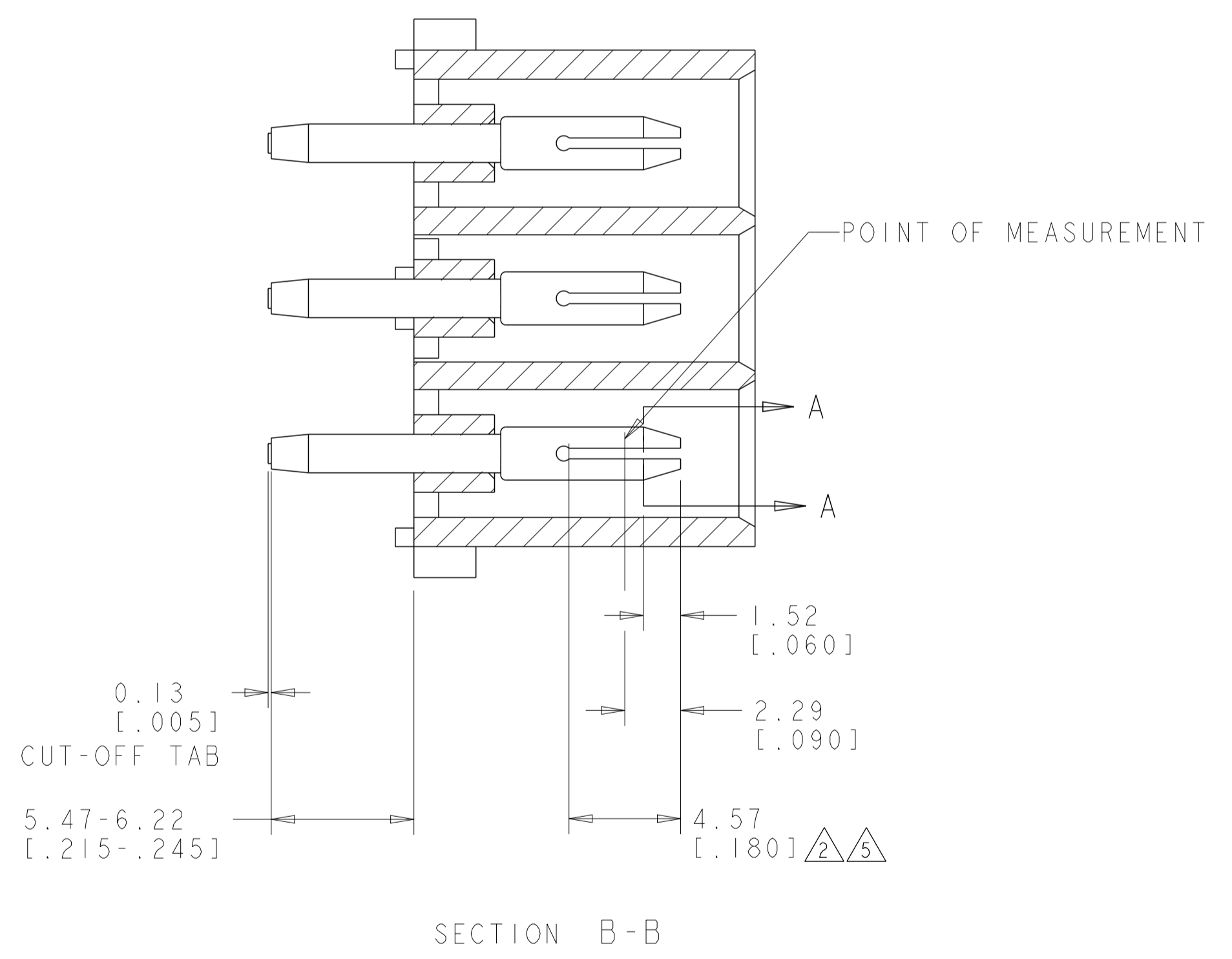
Address: A1208, Overseas Decoration Building, #122 Zhenhua RD., Futian, Shenzhen, China



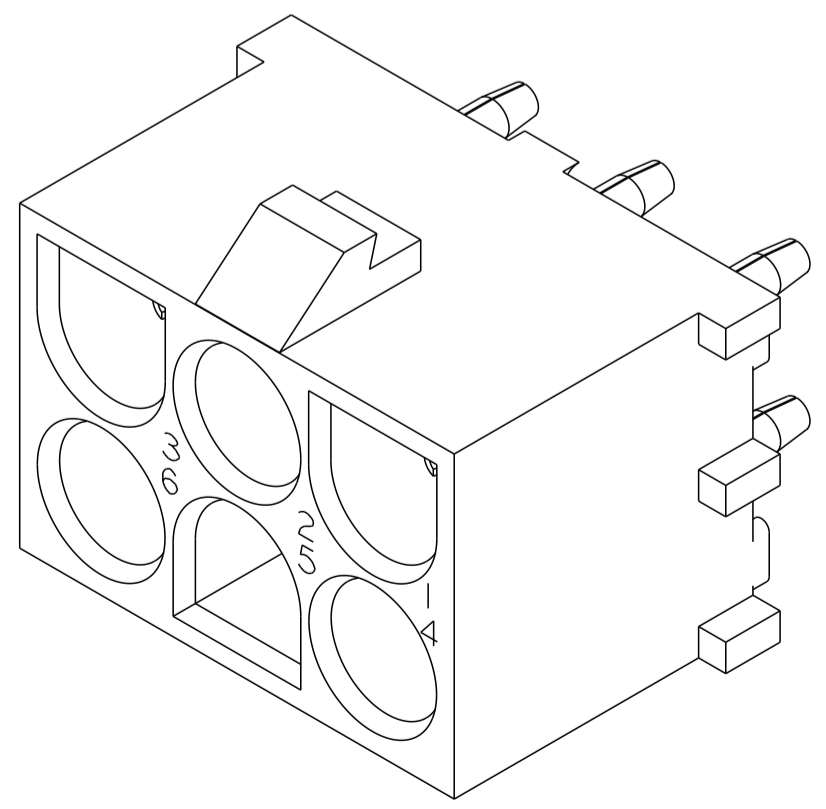
LOC		DIST		REVISIONS			
CM	00	P	LTN	DESCRIPTION	DATE	DWN	APVD
		RI		REVISED PER ECR-12-011660	04FEB2013	KH	TM



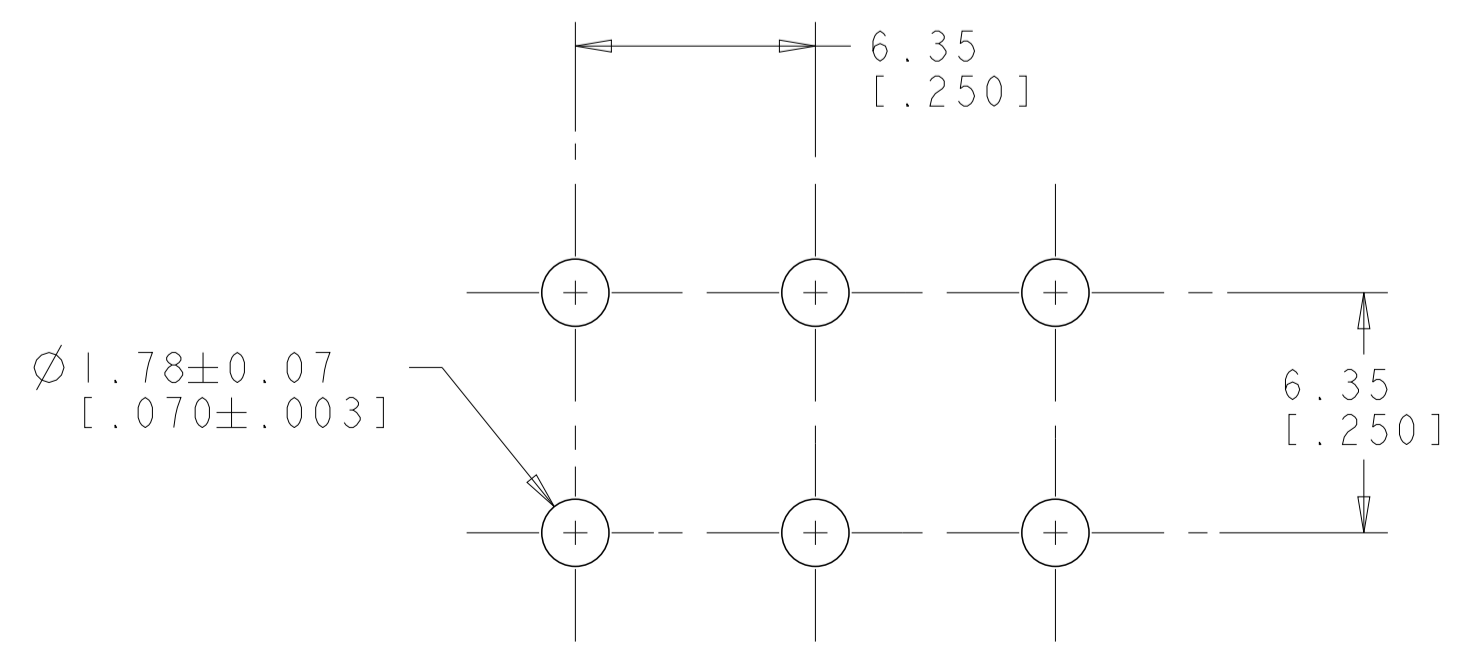
1. PARTS COMPLY TO AMP SOLDERABILITY SPECIFICATION 109-11-3.
2. CONTACT IS PLATED OVERALL WITH 0.00127 [.000050] NICKEL, THEN 0.00076 [.000030] GOLD OVER CONTACT LENGTH INDICATED AND TIN LEAD ON SOLDER TAIL END.
3. PARTS MATE WITH HOUSING 350715.
4. CIRCUIT IDENTIFICATION CHARACTERS ARE ADJACENT TO THE INDICATED CAVITIES, BUT LOCATION AND ORIENTATION MAY DIFFER FROM PRINT.
5. CONTACT IS PLATED OVERALL WITH 0.00127 [.000050] NICKEL, THEN 0.00076 [.000030] GOLD OVER CONTACT LENGTH INDICATED AND MATTE TIN ON SOLDER TAIL END.
6. DIMENSIONS IN BRACKETS ARE IN INCHES.
7. SUPERSEDED BY 350732-4



SECTION A-A  
SCALE 10:1



3 DIMENSIONAL MODEL  
SCALE 4:1



RECOMMENDED MOUNTING HOLE PATTERN  
FOR 1.57 [.062] THICK P.C. BOARD

PHOSPOR BRONZE, GOLD 5	NYLON, UL94V-0, NATURAL	350732-4
PHOSPOR BRONZE, GOLD 2	NYLON, UL94V-0, NATURAL	350732-2
PHOSPOR BRONZE, PRE-TIN	NYLON, UL94V-0, NATURAL	350732-1
PIN CONTACT MATERIAL AND FINISH	HOUSING MATERIAL AND COLOR	PART NUMBER

THIS DRAWING IS A CONTROLLED DOCUMENT.		DWN K. WHITAKER 05OCT2005	TE Connectivity
DIMENSIONS: mm [INCHES]		CHK S. RIDGILL 05OCT2005	
TOLERANCES UNLESS OTHERWISE SPECIFIED:		APVD S. RIDGILL 05OCT2005	
0 PLC ± 1 PLC ± 2 PLC ±0.131(.005) 3 PLC ± 4 PLC ± ANGLES 40°/30°		NAME PRODUCT SPEC APPLICATION SPEC SIZE CAGE CODE DRAWING NO RESTRICTED TO	
MATERIAL SEE TABLE	FINISH SEE TABLE	WEIGHT -	A100779C=350732 CUSTOMER DRAWING SCALE 1:1 SHEET 1 OF 1 REV RI