



Chipsmall Limited consists of a professional team with an average of over 10 year of expertise in the distribution of electronic components. Based in Hongkong, we have already established firm and mutual-benefit business relationships with customers from,Europe,America and south Asia,supplying obsolete and hard-to-find components to meet their specific needs.

With the principle of “Quality Parts,Customers Priority,Honest Operation,and Considerate Service”,our business mainly focus on the distribution of electronic components. Line cards we deal with include Microchip,ALPS,ROHM,Xilinx,Pulse,ON,Everlight and Freescale. Main products comprise IC,Modules,Potentiometer,IC Socket,Relay,Connector.Our parts cover such applications as commercial,industrial, and automotives areas.

We are looking forward to setting up business relationship with you and hope to provide you with the best service and solution. Let us make a better world for our industry!



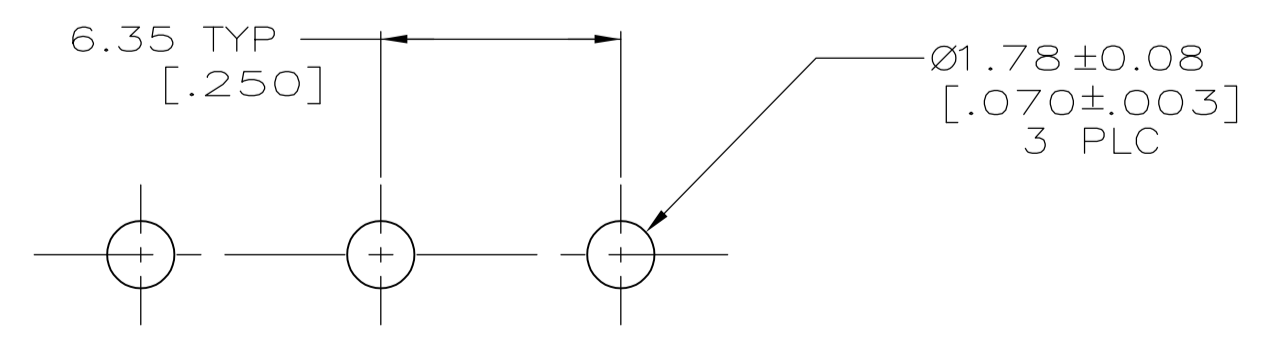
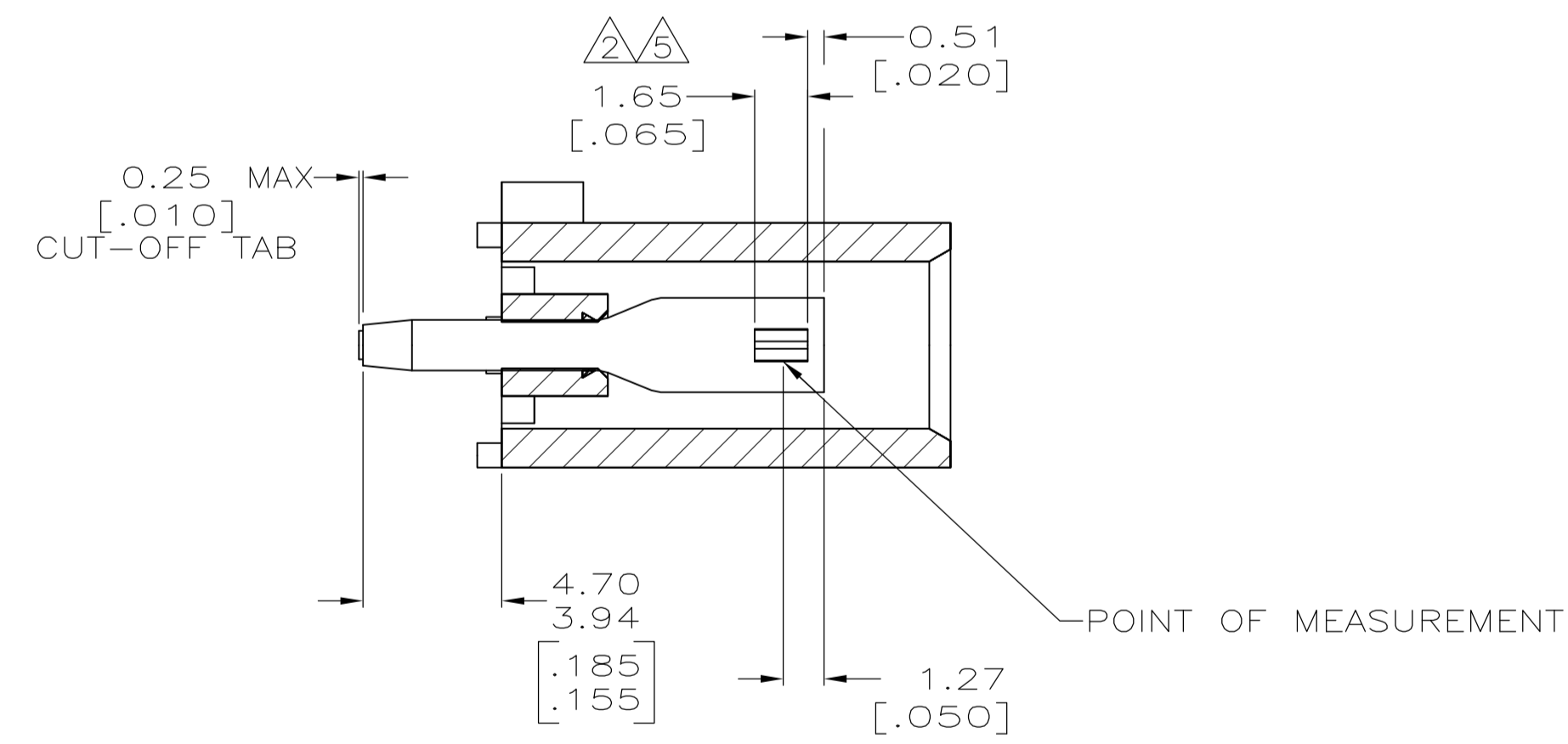
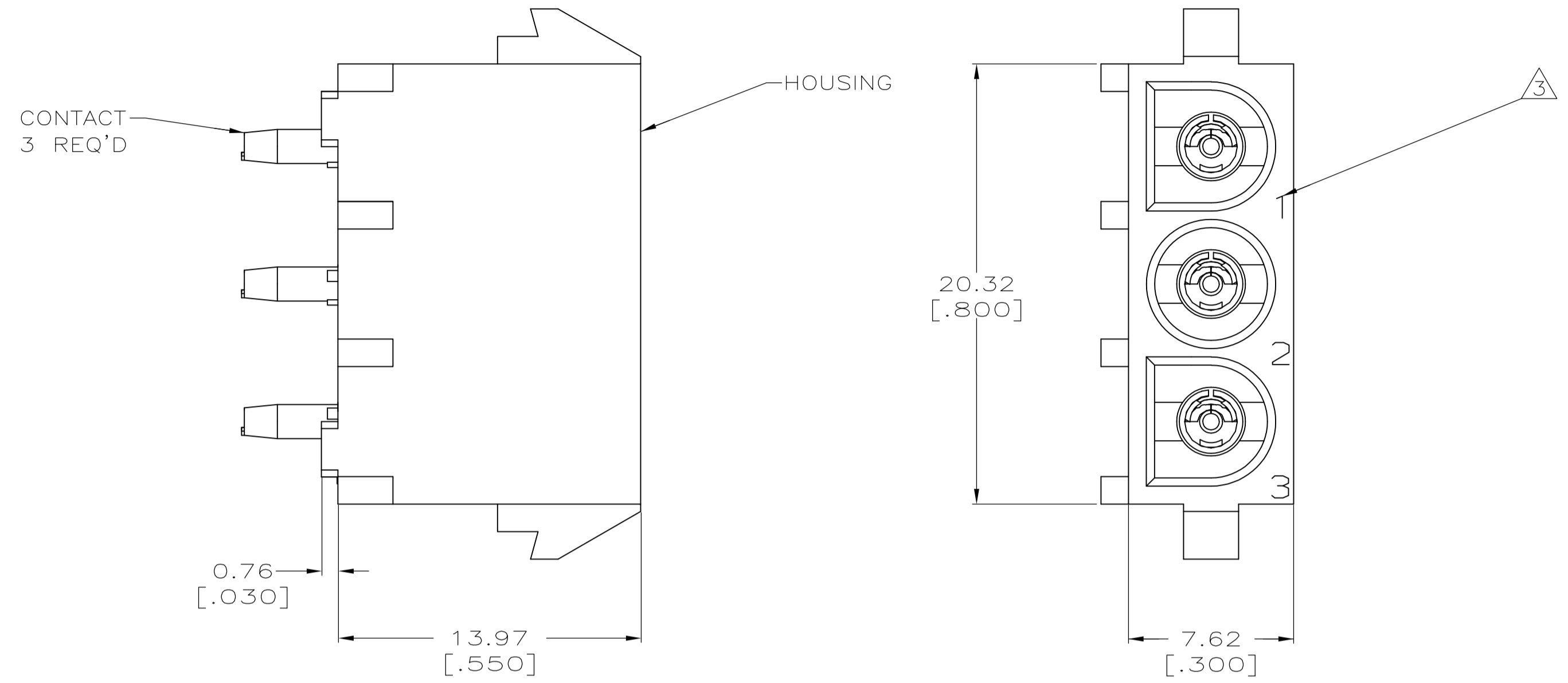
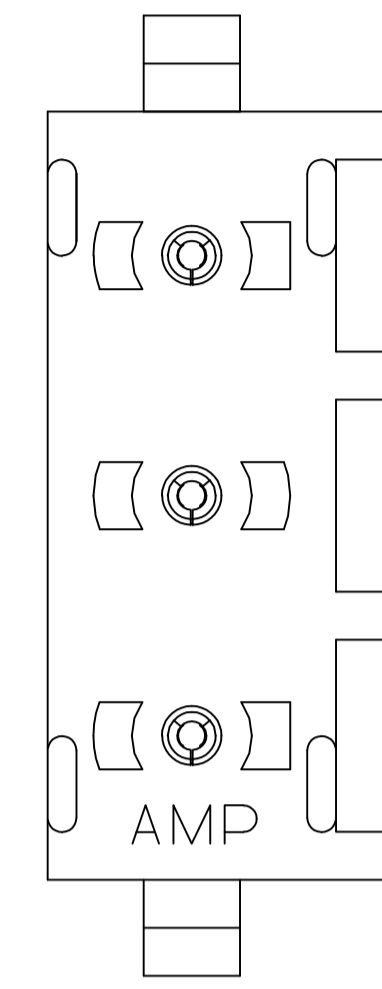
## Contact us

Tel: +86-755-8981 8866 Fax: +86-755-8427 6832

Email & Skype: info@chipsmall.com Web: www.chipsmall.com

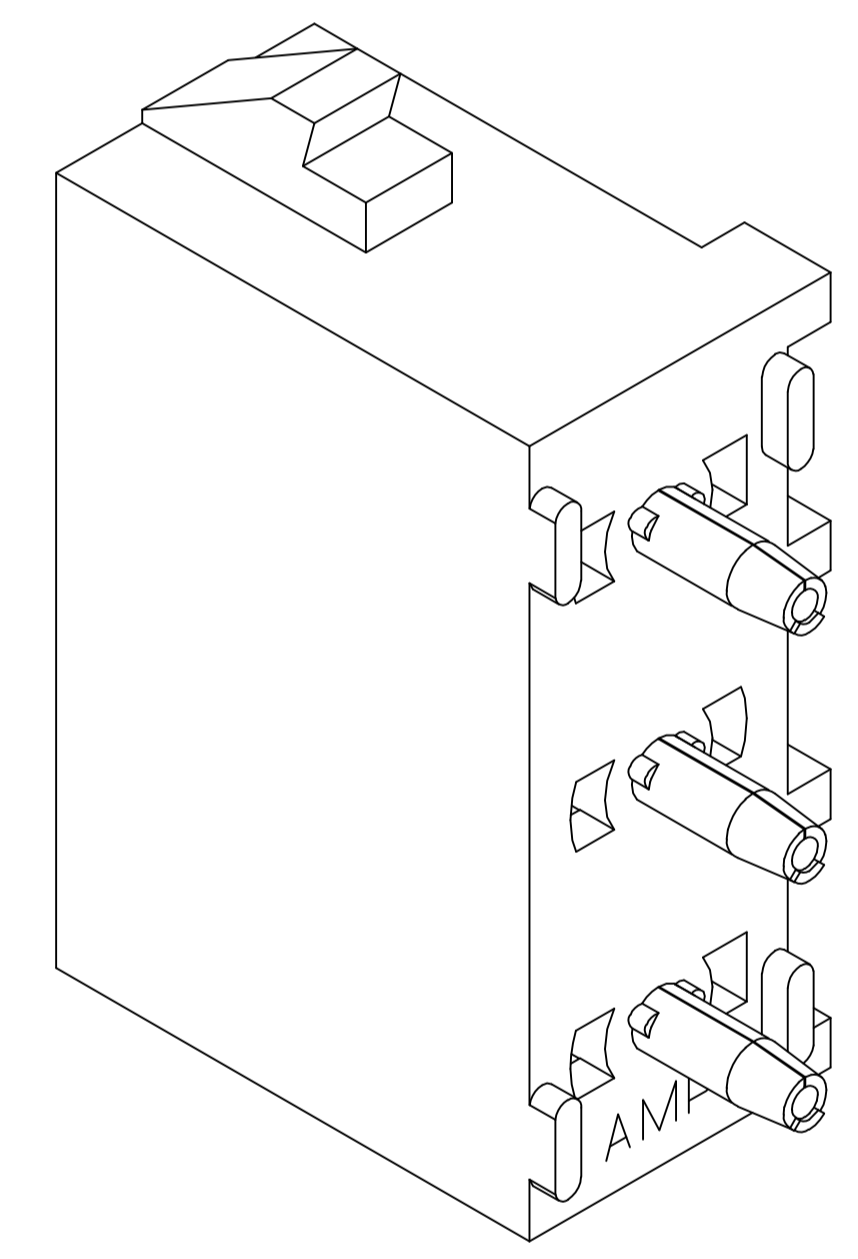
Address: A1208, Overseas Decoration Building, #122 Zhenhua RD., Futian, Shenzhen, China





RECOMMENDED MOUNTING HOLE PATTERN FOR 1.57 [.062] THICK P.C. BOARD

- 1 PARTS COMPLY TO AMP SOLDERABILITY SPECIFICATION 109-11-3.
- 2 CONTACT IS PLATED OVERALL WITH 0.00127 [.000050] NICKEL, THEN 0.00076 [.000030] GOLD OVER CONTACT LENGTH INDICATED AND MATTE TIN LEAD ON SOLDER TAIL END.
- 3 CIRCUIT IDENTIFICATION CHARACTERS ARE ADJACENT TO THE INDICATED CAVITIES, BUT LOCATION AND ORIENTATION MAY DIFFER FROM PRINT.
- 4 DIMENSIONS IN BRACKETS ARE IN INCHES.
- 5 CONTACT IS PLATED OVERALL WITH 0.00127 [.000050] NICKEL, THEN 0.00076 [.000030] GOLD OVER CONTACT LENGTH INDICATED AND MATTE TIN ON SOLDER TAIL END.
- 6 SUPERSEDED BY 350825-4



3-DIMENSIONAL MODEL NTS

|                             |                     |             |
|-----------------------------|---------------------|-------------|
| PHOSPHOR BRONZE, GOLD       | NYLON,UL94V-0,WHITE | 350825-4    |
| PHOSPHOR BRONZE, GOLD       | NYLON,UL94V-0,WHITE | 350825-2    |
| PHOSPHOR BRONZE, PRE-TIN    | NYLON,UL94V-0,WHITE | 350825-1    |
| CONTACT MATERIAL AND FINISH | HOUSING MATERIAL    | PART NUMBER |

|  |                  |                  |   |               |
|--|------------------|------------------|---|---------------|
| THIS DRAWING IS A CONTROLLED DOCUMENT. |                  | DIN 8-19-98      | TE Connectivity   |               |
| DIMENSIONS: mm [INCHES]                |                  | LEWIS 8-19-98    | SOCKET HEADER ASSEMBLY, 3 CIRCUIT UNIVERSAL MATE-N-LOK™ |               |
| TOLERANCES UNLESS OTHERWISE SPECIFIED: |                  | SWING 8-19-98    | NAME  |               |
| 0 PLC ± -                              | 1 PLC ± -        | TRULL 8-19-98    | PRODUCT SPEC  |               |
| 2 PLC ± 0.13 [.005]                    | 3 PLC ± -        | APPLICATION SPEC |   |               |
| 4 PLC ± -                              | ANGLES ± 0°30'   | SIZE             |   |               |
| MATERIAL SEE TABLE                     | FINISH SEE TABLE | WEIGHT           | A1 00779 C=350825                                       | RESTRICTED TO |
| CUSTOMER DRAWING                       |                  | SCALE 5:1        | SHEET 1 OF 1  | REV N2        |