



Chipsmall Limited consists of a professional team with an average of over 10 year of expertise in the distribution of electronic components. Based in Hongkong, we have already established firm and mutual-benefit business relationships with customers from,Europe,America and south Asia,supplying obsolete and hard-to-find components to meet their specific needs.

With the principle of “Quality Parts,Customers Priority,Honest Operation,and Considerate Service”,our business mainly focus on the distribution of electronic components. Line cards we deal with include Microchip,ALPS,ROHM,Xilinx,Pulse,ON,Everlight and Freescale. Main products comprise IC,Modules,Potentiometer,IC Socket,Relay,Connector.Our parts cover such applications as commercial,industrial, and automotives areas.

We are looking forward to setting up business relationship with you and hope to provide you with the best service and solution. Let us make a better world for our industry!



## Contact us

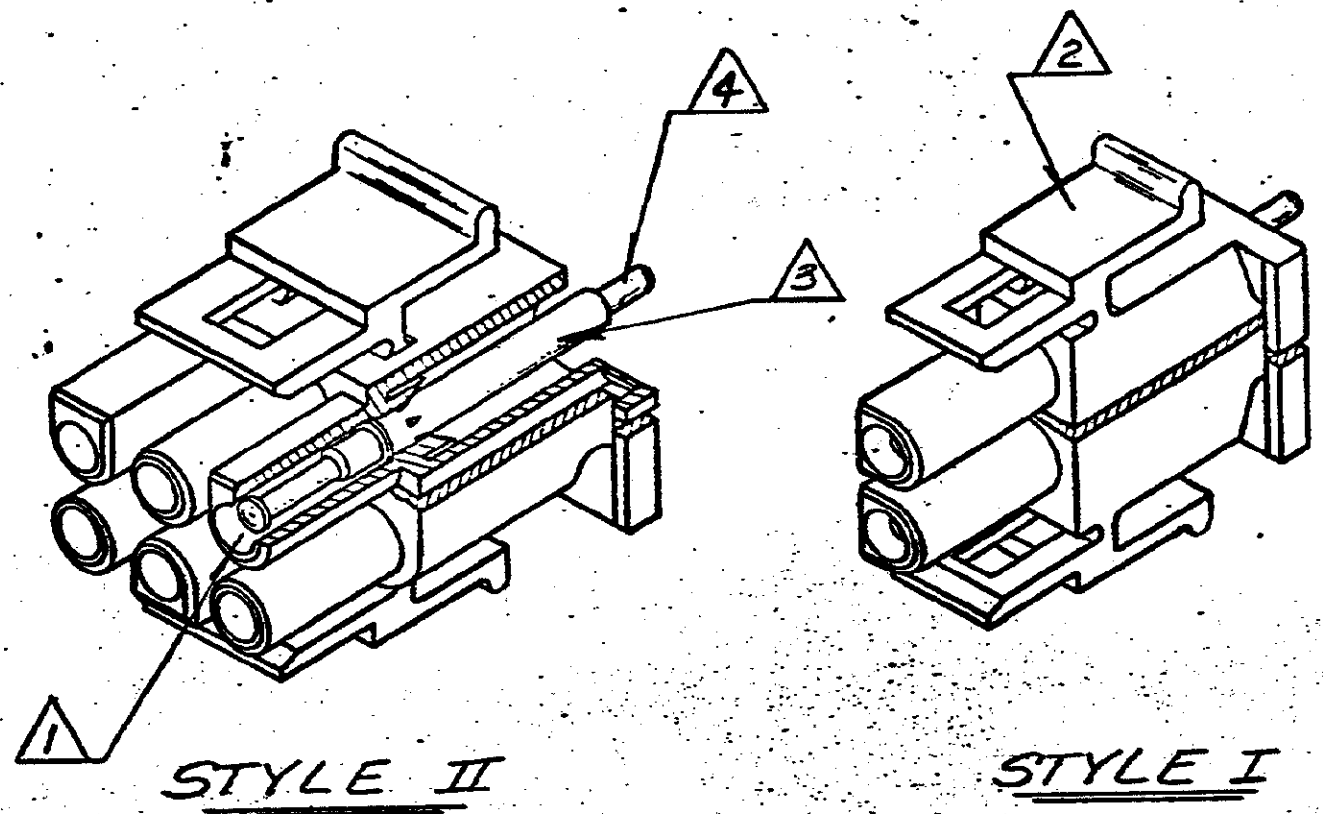
Tel: +86-755-8981 8866 Fax: +86-755-8427 6832

Email & Skype: info@chipsmall.com Web: www.chipsmall.com

Address: A1208, Overseas Decoration Building, #122 Zhenhua RD., Futian, Shenzhen, China



REVISIONS					
REV	ZONE	LTR	DESCRIPTION	DATE	APPROVED
1		A2	REVISED PER ECO-11-005294	05APR11	HMR



- 1 SPRING LOADED TEST PROBE
- 2 PLUG HOUSING - FLAME RETARDANT NYLON (94V-0 RATING), FINISH - NATURAL
- 3 TEST PROBE RECEPTACLE. MATERIAL - BRASS, FINISH - PRE-TIN
- 4 ACCEPTS UNIVERSAL MATE-N-LOK SOCKETS.

STYLE	NO OF CIRCUITS	PART NO
II	15	1-350848-5
II	12	1-350848-2
II	9	350848-9
II	6	350848-6
I	5	350848-5
I	4	350848-4
I	3	350848-3
I	2	350848-2

UNLESS OTHERWISE SPECIFIED DIMENSIONS ARE IN INCHES. TOLERANCES ON: DECIMALS ± ANGLES ±	CONTRACT NO	TE Connectivity
	DR <i>B.C. WINSARD 8-14-75</i>	
MATERIAL	CHK <i>[Signature]</i> 7-8-75	NAME
FINISH	APPO <i>R.P.F. [Signature]</i> 9/28/75	UNIVERSAL MATE-N-LOK PLUG TEST ASSEMBLY
	APPO	SIZE
	OSGN APPO	CODE IDENT NO
	OTHER APPO	DRAWING NO
		B 00779 350848
		SCALE
		SHEET