



Chipsmall Limited consists of a professional team with an average of over 10 year of expertise in the distribution of electronic components. Based in Hongkong, we have already established firm and mutual-benefit business relationships with customers from,Europe,America and south Asia,supplying obsolete and hard-to-find components to meet their specific needs.

With the principle of “Quality Parts,Customers Priority,Honest Operation,and Considerate Service”,our business mainly focus on the distribution of electronic components. Line cards we deal with include Microchip,ALPS,ROHM,Xilinx,Pulse,ON,Everlight and Freescale. Main products comprise IC,Modules,Potentiometer,IC Socket,Relay,Connector.Our parts cover such applications as commercial,industrial, and automotives areas.

We are looking forward to setting up business relationship with you and hope to provide you with the best service and solution. Let us make a better world for our industry!



Contact us

Tel: +86-755-8981 8866 Fax: +86-755-8427 6832

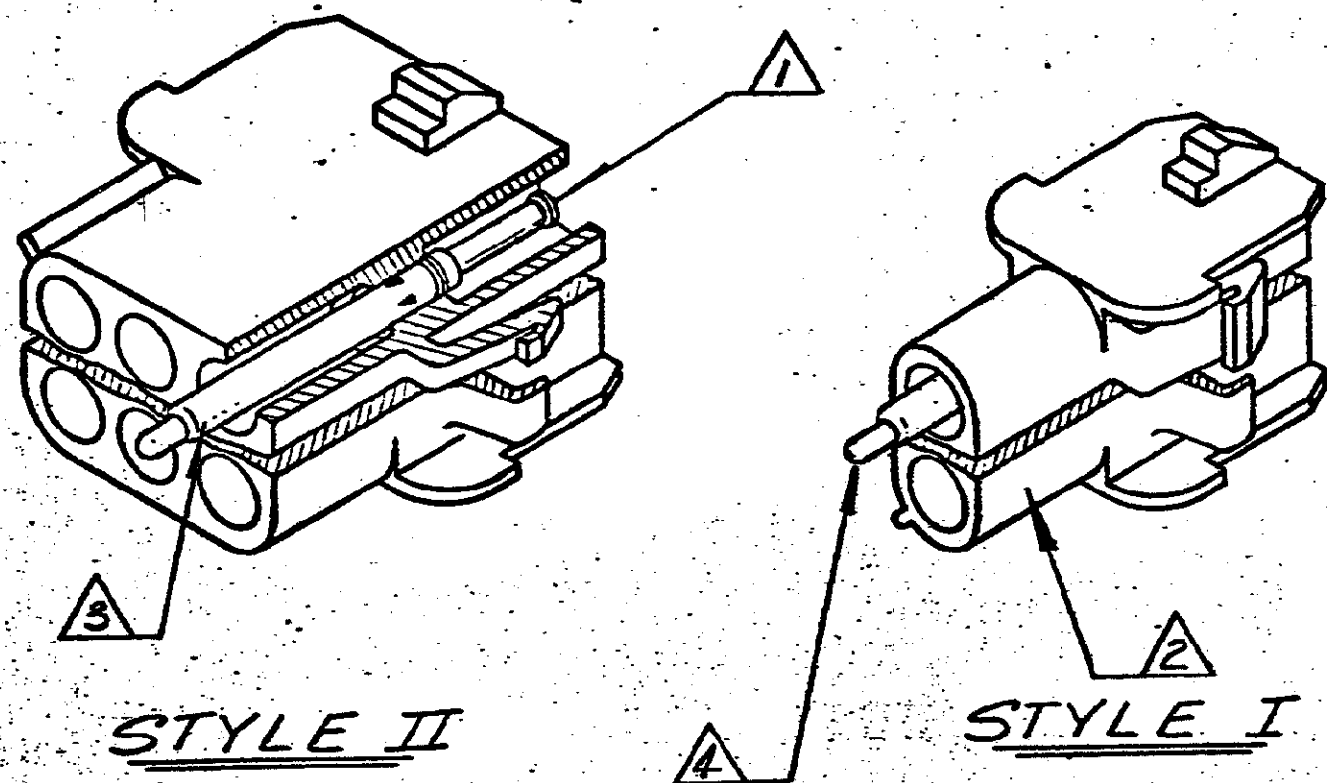
Email & Skype: info@chipsmall.com Web: www.chipsmall.com

Address: A1208, Overseas Decoration Building, #122 Zhenhua RD., Futian, Shenzhen, China



© COPYRIGHT

REVISIONS				DATE	APPROVED
1	2	A3	REVIS PER ECO-11-005140	31MAR11	HMR



- 1 SPRING LOADED TEST PROBE
- 2 CAP HOUSING - FLAME RETARDANT NYLON (94V-0 RATING), FINISH-NATURAL
- 3 TEST PROBE RECEPTACLE MATERIAL-BRASS, FINISH- PRE-TIN
- 4 ACCEPTS UNIVERSAL MATE-N-LOK SOCKETS.
- 5 OBSOLETE PARTS: OBSOLETE CIS STREAMLINING PER D.RENAUD/D.SINISI

5	STYLE	NO. OF CIRCUITS	PART NO
OBSOLETE	II	15	1350849-5
	II	12	1350849-2
	II	9	350849-9
	II	6	350849-6
	I	5	350849-5
OBSOLETE	I	4	350849-4
	I	3	350849-3
	I	2	350849-2

UNLESS OTHERWISE SPECIFIED DIMENSIONS ARE IN INCHES. TOLERANCES ON: DECIMALS ± ANGLES ±		CONTRACT NO		TE Connectivity	
MATERIAL		DR <i>D.C. WINGARD</i> 8/15/75			
FINISH		CHK <i>E.C. ...</i> 8/28/75		NAME	
		APP <i>R.P. ...</i> 8/28/75		UNIVERSAL MATE-N-LOK CAP TEST ASSEMBLY	
		DSGN APPD		SIZE	CODE IDENT NO
		OTHER APPD		B	00779
				DRAWING NO	
				350849	
				SCALE	SHEET