



Chipsmall Limited consists of a professional team with an average of over 10 year of expertise in the distribution of electronic components. Based in Hongkong, we have already established firm and mutual-benefit business relationships with customers from,Europe,America and south Asia,supplying obsolete and hard-to-find components to meet their specific needs.

With the principle of “Quality Parts,Customers Priority,Honest Operation,and Considerate Service”,our business mainly focus on the distribution of electronic components. Line cards we deal with include Microchip,ALPS,ROHM,Xilinx,Pulse,ON,Everlight and Freescale. Main products comprise IC,Modules,Potentiometer,IC Socket,Relay,Connector.Our parts cover such applications as commercial,industrial, and automotives areas.

We are looking forward to setting up business relationship with you and hope to provide you with the best service and solution. Let us make a better world for our industry!



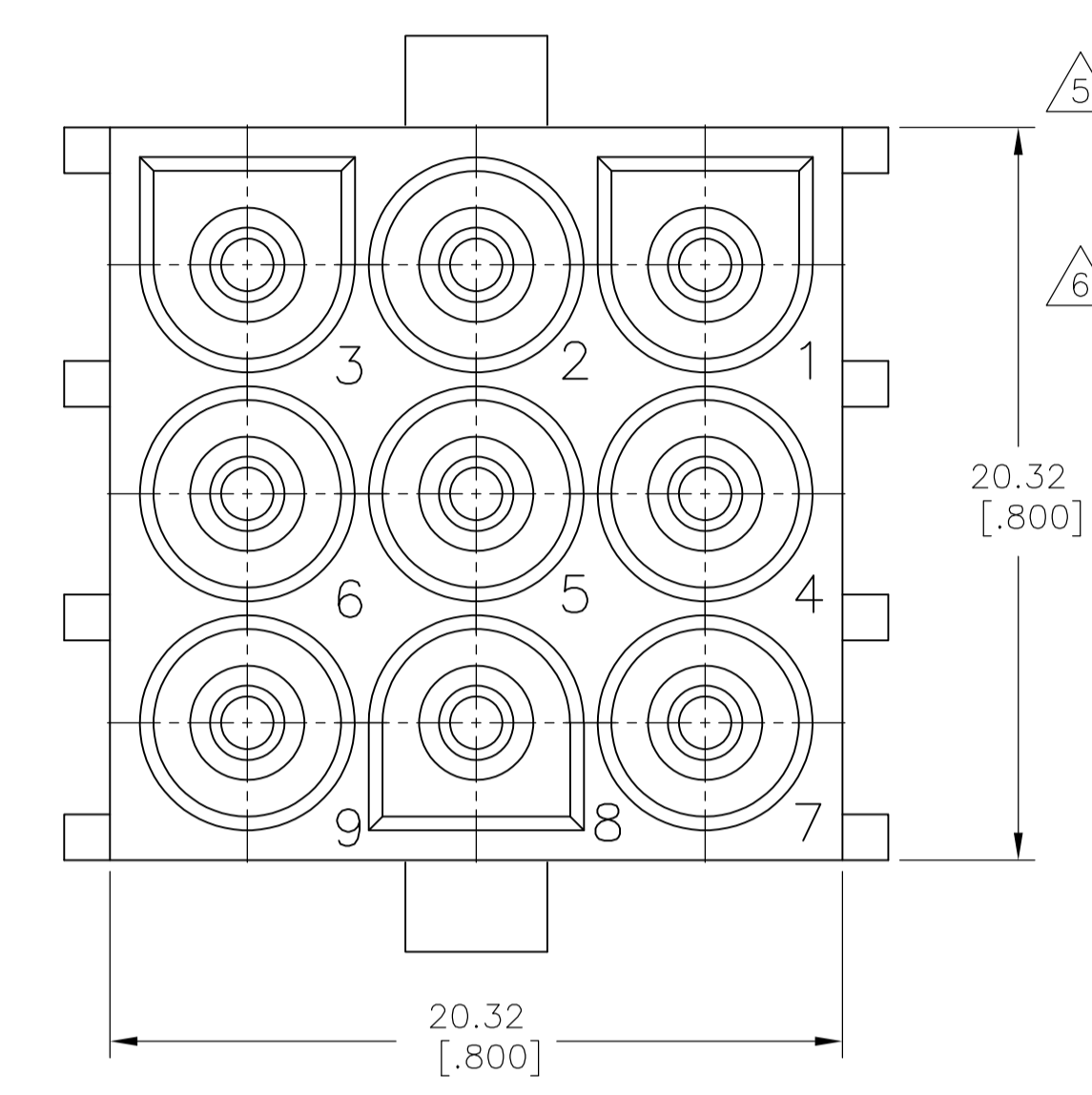
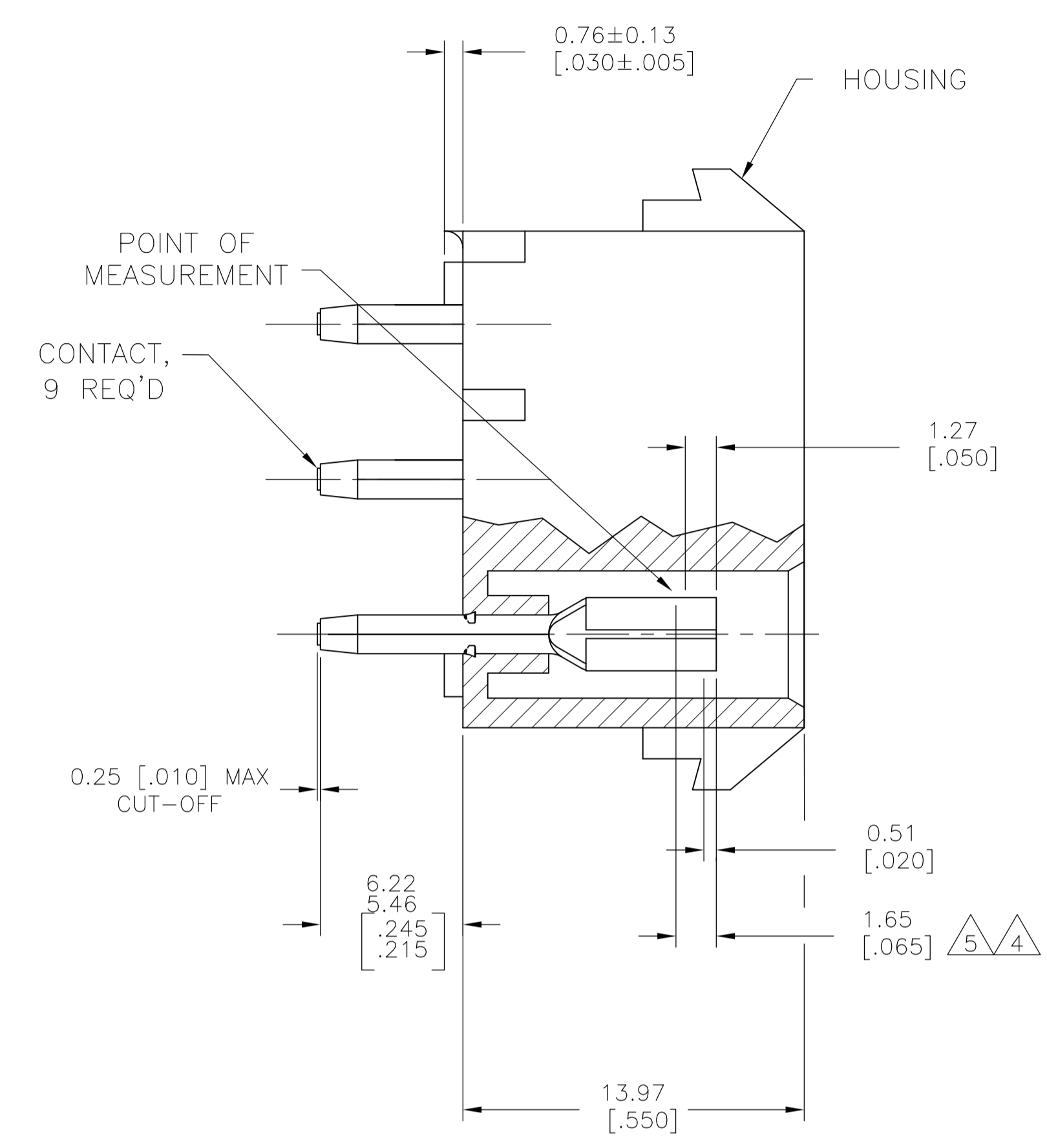
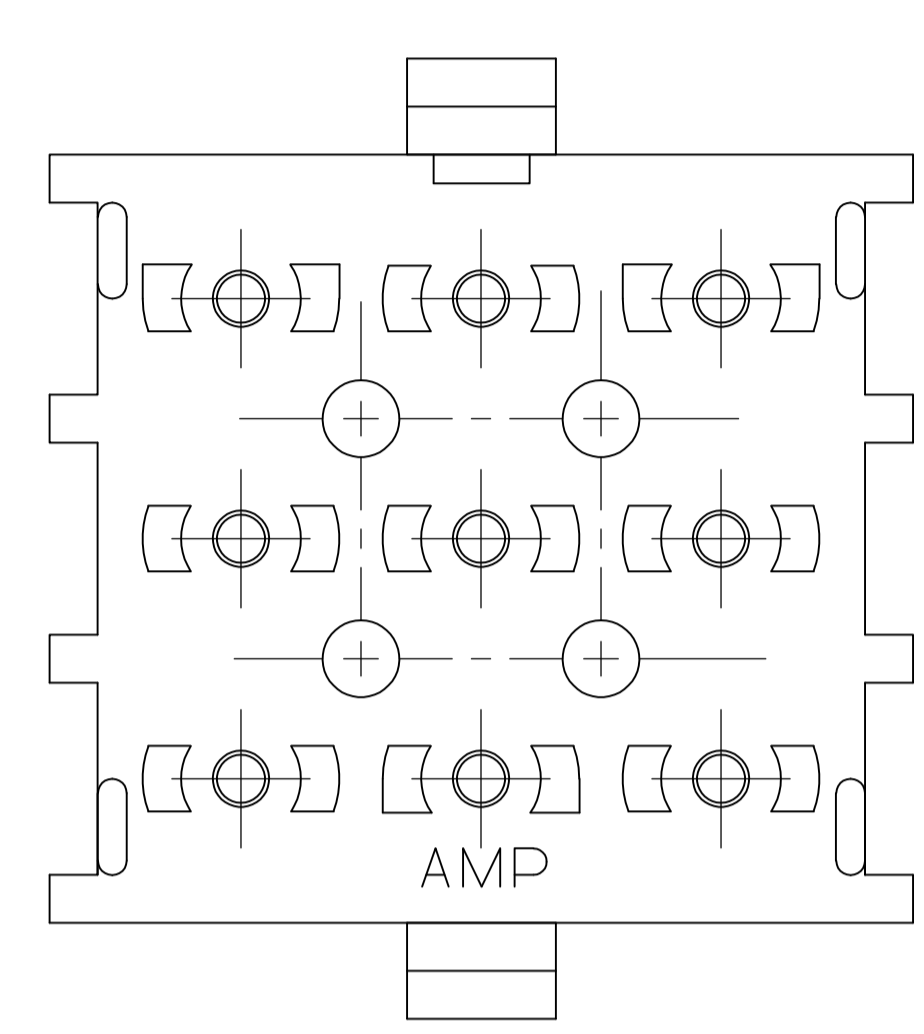
Contact us

Tel: +86-755-8981 8866 Fax: +86-755-8427 6832

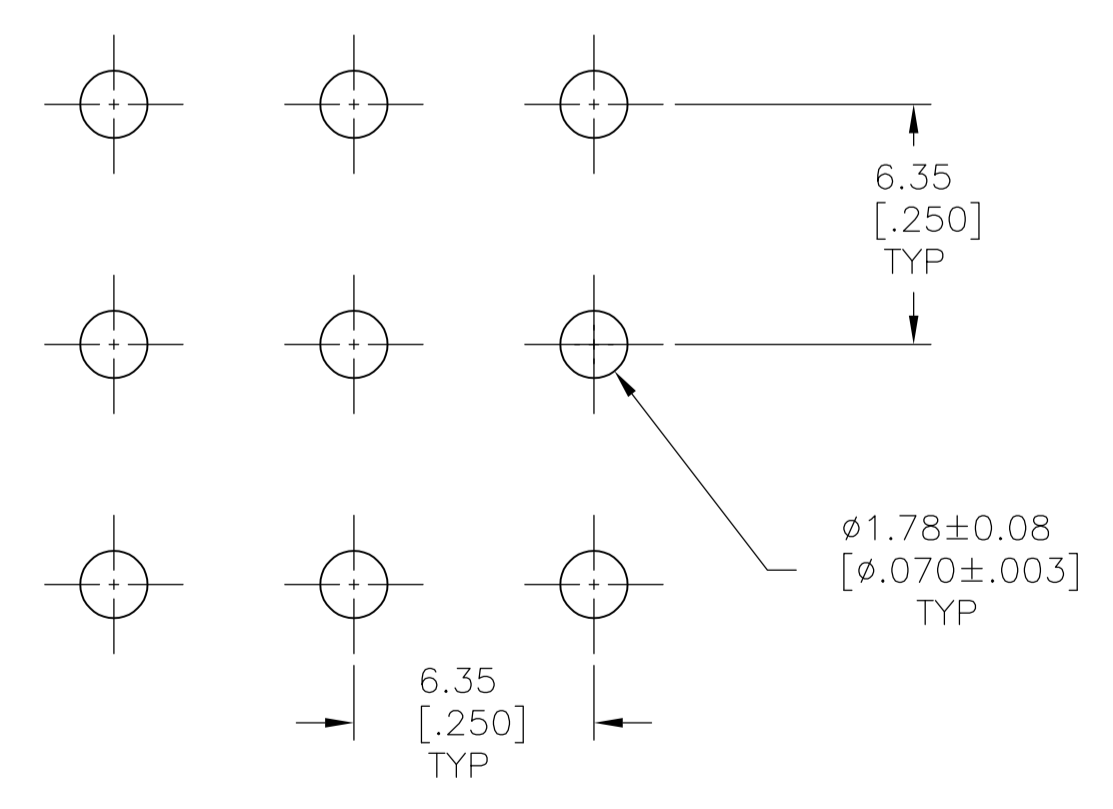
Email & Skype: info@chipsmall.com Web: www.chipsmall.com

Address: A1208, Overseas Decoration Building, #122 Zhenhua RD., Futian, Shenzhen, China





- 1 MATES WITH AMP CONNECTOR PART NO. 480706.
- △2 FLAME RETARDANT CLASSIFICATION OF MATERIAL IS 94V-2.
- 3 PARTS MUST COMPLY WITH AMP SOLDERABILITY SPEC 109-11-3.
- △4 CONTACT IS STAMPED FROM PRE-PLATED STOCK WHICH IS PLATED OVERALL WITH 0.00127 [.000050] NICKEL, THEN STRIPED WITH 0.00076 [.000030] GOLD IN CONTACT AREA INDICATED AND TIN-LEAD ON SOLDER TAIL END.
- △5 CONTACT IS PLATED OVERALL WITH 0.00127 [.000050] NICKEL, THEN 0.00076 [.000030] GOLD OVER CONTACT LENGTH INDICATED AND MATTE TIN ON SOLDER TAIL END.
- △6 SUPERSEDED BY 350990-5



RECOMMENDED LAYOUT FOR 3.18 [.125] THICK PC BOARD

PH BRZ GOLD △5	NYLON, NATURAL △2	350990-5
PH BRZ TIN	NYLON, NATURAL △2	350990-4
△6 PH BRZ GOLD △4	NYLON, NATURAL △2	350990-3
CONTACT	HOUSING	PART NO

THIS DRAWING IS A CONTROLLED DOCUMENT.		DIN K. WHITAKER 11OCT2005	TE Connectivity
DIMENSIONS: mm [INCHES]		CHK S. RIDGILL 11OCT2005	
TOLERANCES UNLESS OTHERWISE SPECIFIED:		APVD S. RIDGILL 11OCT2005	NAME
0 PLC ±		PRODUCT SPEC	SOCKET HEADER ASSEMBLY
1 PLC ±		APPLICATION SPEC	9 CIRCUIT, LONG TAIL,
2 PLC ±		WEIGHT	UNIVERSAL MATE-N-LOK (TM)
3 PLC ± 0.13 [.005]		SIZE	A1
4 PLC ±		SCALE	5:1
ANGLES ±		SHEET	1 OF 1
MATERIAL SEE TABLE	FINISH SEE TABLE	REV	G2
CUSTOMER DRAWING		SCALE	5:1