



Chipsmall Limited consists of a professional team with an average of over 10 year of expertise in the distribution of electronic components. Based in Hongkong, we have already established firm and mutual-benefit business relationships with customers from,Europe,America and south Asia,supplying obsolete and hard-to-find components to meet their specific needs.

With the principle of “Quality Parts,Customers Priority,Honest Operation,and Considerate Service”,our business mainly focus on the distribution of electronic components. Line cards we deal with include Microchip,ALPS,ROHM,Xilinx,Pulse,ON,Everlight and Freescale. Main products comprise IC,Modules,Potentiometer,IC Socket,Relay,Connector.Our parts cover such applications as commercial,industrial, and automotives areas.

We are looking forward to setting up business relationship with you and hope to provide you with the best service and solution. Let us make a better world for our industry!



Contact us

Tel: +86-755-8981 8866 Fax: +86-755-8427 6832

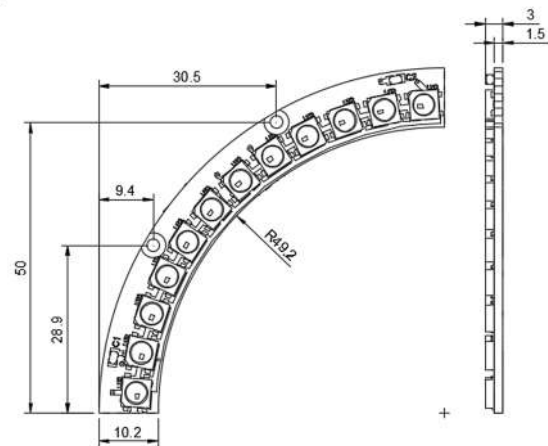
Email & Skype: info@chipsmall.com Web: www.chipsmall.com

Address: A1208, Overseas Decoration Building, #122 Zhenhua RD., Futian, Shenzhen, China



Introduction

The Kitronik ZIP Arc large is a set of 12 RGB LEDs, each LED can produce a full spectrum of colours independent to all of the other LEDs on the bus. Each ZIP LED has a Red, Green and Blue element within the LED. This results in 16,777,216 possible output colours. Multiple ZIP LEDs can be connected to produce longer strings/strips. The LEDs used are based on the WS2812B part. They can also be coded in the MakeCode Block/Javascript editor with the NeoPixels block



(Dimensions in mm)

Specification

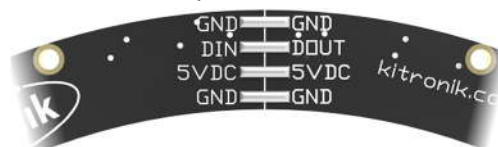
- 3.5 to 5V DC
- 50mA per LED MAX with Red, Green and Blue at full brightness
- 6.86mm pitch between LEDs
- Wiring pads 2.54mm pitch
- LED wavelength 630nm/530nm/475nm
- Adafruit NeoPixel™ compatible

Circuit Overview

- 12 programmable ZIP LED's chained in series.
- There are 8 connections (4 on each end of the PCB).
- DIN pin is for the data input.
- DOUT pin is for the data output to more ZIPs.
- +5V & GND Voltage supply connections.

Extension

To connect more ZIP Arc's together, place two boards end to end with DIN next to DOUT. Solder all four of these connections. For further information for Zip Arc extension visit kitronik.co.uk/35134



Application

A typical application for the ZIP Arc, connect it to the ZIP Halo (Stock Code: 5625) and use the extra LEDs for customisation. For further information and details refer to "Using Kitronik 'ZIP' LEDs" document from kitronik.co.uk/blog/using-kitronik-zip-leds-bbc-microbit/

