



Chipsmall Limited consists of a professional team with an average of over 10 year of expertise in the distribution of electronic components. Based in Hongkong, we have already established firm and mutual-benefit business relationships with customers from,Europe,America and south Asia,supplying obsolete and hard-to-find components to meet their specific needs.

With the principle of “Quality Parts,Customers Priority,Honest Operation,and Considerate Service”,our business mainly focus on the distribution of electronic components. Line cards we deal with include Microchip,ALPS,ROHM,Xilinx,Pulse,ON,Everlight and Freescale. Main products comprise IC,Modules,Potentiometer,IC Socket,Relay,Connector.Our parts cover such applications as commercial,industrial, and automotives areas.

We are looking forward to setting up business relationship with you and hope to provide you with the best service and solution. Let us make a better world for our industry!



Contact us

Tel: +86-755-8981 8866 Fax: +86-755-8427 6832

Email & Skype: info@chipsmall.com Web: www.chipsmall.com

Address: A1208, Overseas Decoration Building, #122 Zhenhua RD., Futian, Shenzhen, China



4

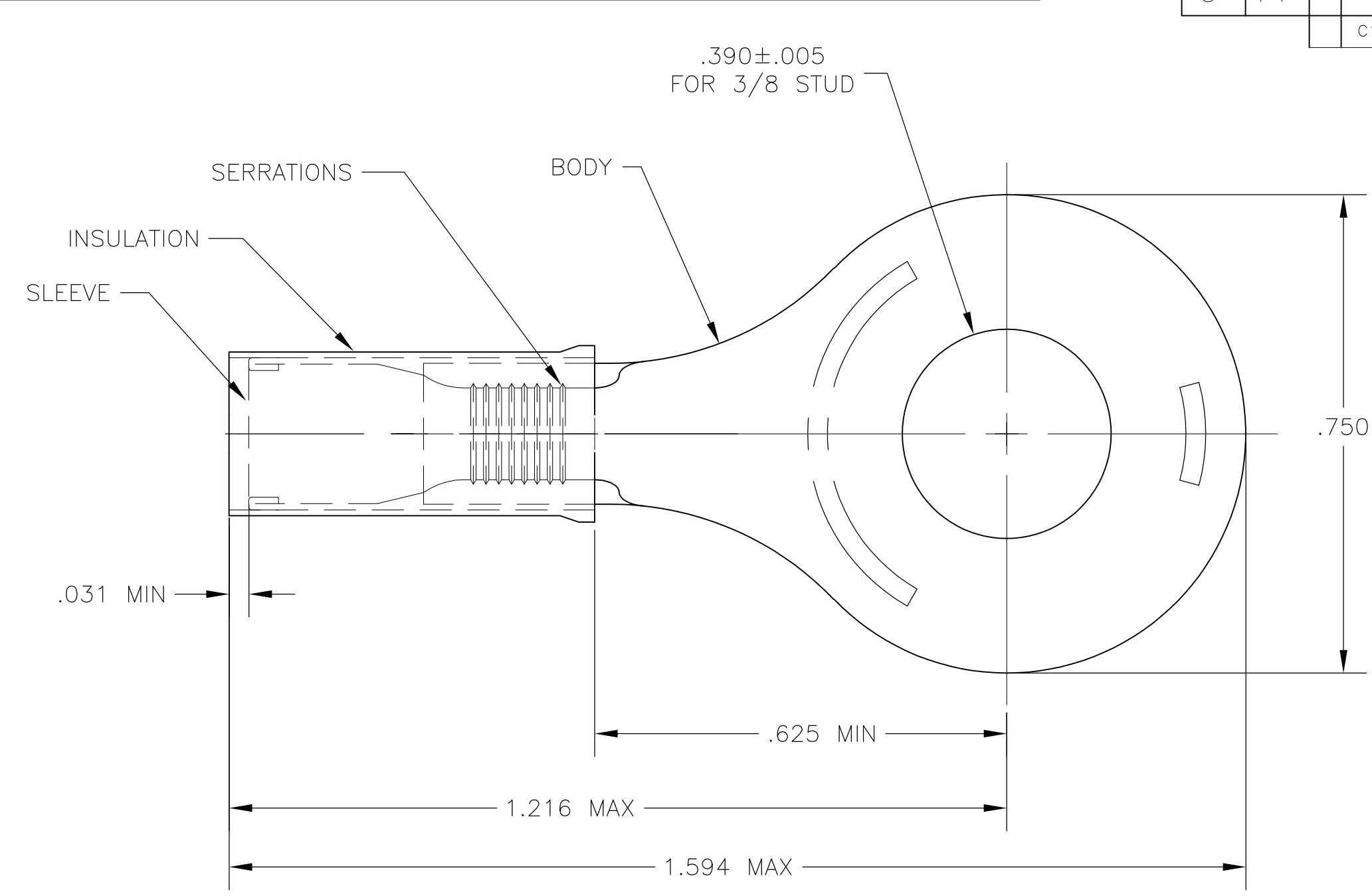
3

2

1

THIS DRAWING IS UNPUBLISHED. RELEASED FOR PUBLICATION
 © COPYRIGHT BY TYCO ELECTRONICS CORPORATION. ALL INTERNATIONAL RIGHTS RESERVED.

| LOC | DIST | REVISIONS | | | | | |
|-----|------|-----------|-----|---------------------------|---------|-----|------|
| G | 14 | P | LTR | DESCRIPTION | DATE | DWN | APVD |
| | | C1 | | REDRAWN PER ECR 09-006116 | 17MAR09 | JR | TM |



- 1 FOR .150 TO .250 WIRE INSULATION DIA.
- 2 MATERIAL TONGUE THK IS .040±.002

| | | |
|---------------|--|---------|
| WIRE TERMINAL | INSULATION: NYLON, COLOR YELLOW BODY & SLEEVE: BODY: COPPER PER ASTM B152 TIN PLATE PER ASTM B545 | 35150 |
| DESCRIPTION | MATERIAL | PART NO |

| | | | | |
|---|---------------------|------------------------------------|--|--------------------|
| THIS DRAWING IS A CONTROLLED DOCUMENT. | | DWN jr_ruth 17MAR09 | Tyco Electronics Corporation Harrisburg, PA 17105-3608 | |
| DIMENSIONS: INCHES | | CHK TOM MICHIELUTTI 17MAR09 | NAME TERMINAL, PIDG, RIN TONGUE, WIRE SIZE 12-10 AWG | |
| TOLERANCES UNLESS OTHERWISE SPECIFIED: | | APVD TOM MICHIELUTTI 17MAR09 | PRODUCT SPEC | |
| 0 PLC ± - 1 PLC ± - 2 PLC ± - 3 PLC ± .008 4 PLC ± - ANGLES ± 5° | | APPLICATION SPEC | | |
| MATERIAL SEE TABLE | FINISH SEE TABLE | WEIGHT - | SIZE A3 | CAGE CODE 00779 |
| | | DRAWING NO G-35150 | | RESTRICTED TO - |
| CUSTOMER DRAWING | | SCALE 8:1 | SHEET 1 OF 1 | REV C1 |