



Chipsmall Limited consists of a professional team with an average of over 10 year of expertise in the distribution of electronic components. Based in Hongkong, we have already established firm and mutual-benefit business relationships with customers from,Europe,America and south Asia,supplying obsolete and hard-to-find components to meet their specific needs.

With the principle of “Quality Parts,Customers Priority,Honest Operation,and Considerate Service”,our business mainly focus on the distribution of electronic components. Line cards we deal with include Microchip,ALPS,ROHM,Xilinx,Pulse,ON,Everlight and Freescale. Main products comprise IC,Modules,Potentiometer,IC Socket,Relay,Connector.Our parts cover such applications as commercial,industrial, and automotives areas.

We are looking forward to setting up business relationship with you and hope to provide you with the best service and solution. Let us make a better world for our industry!



Contact us

Tel: +86-755-8981 8866 Fax: +86-755-8427 6832

Email & Skype: info@chipsmall.com Web: www.chipsmall.com

Address: A1208, Overseas Decoration Building, #122 Zhenhua RD., Futian, Shenzhen, China

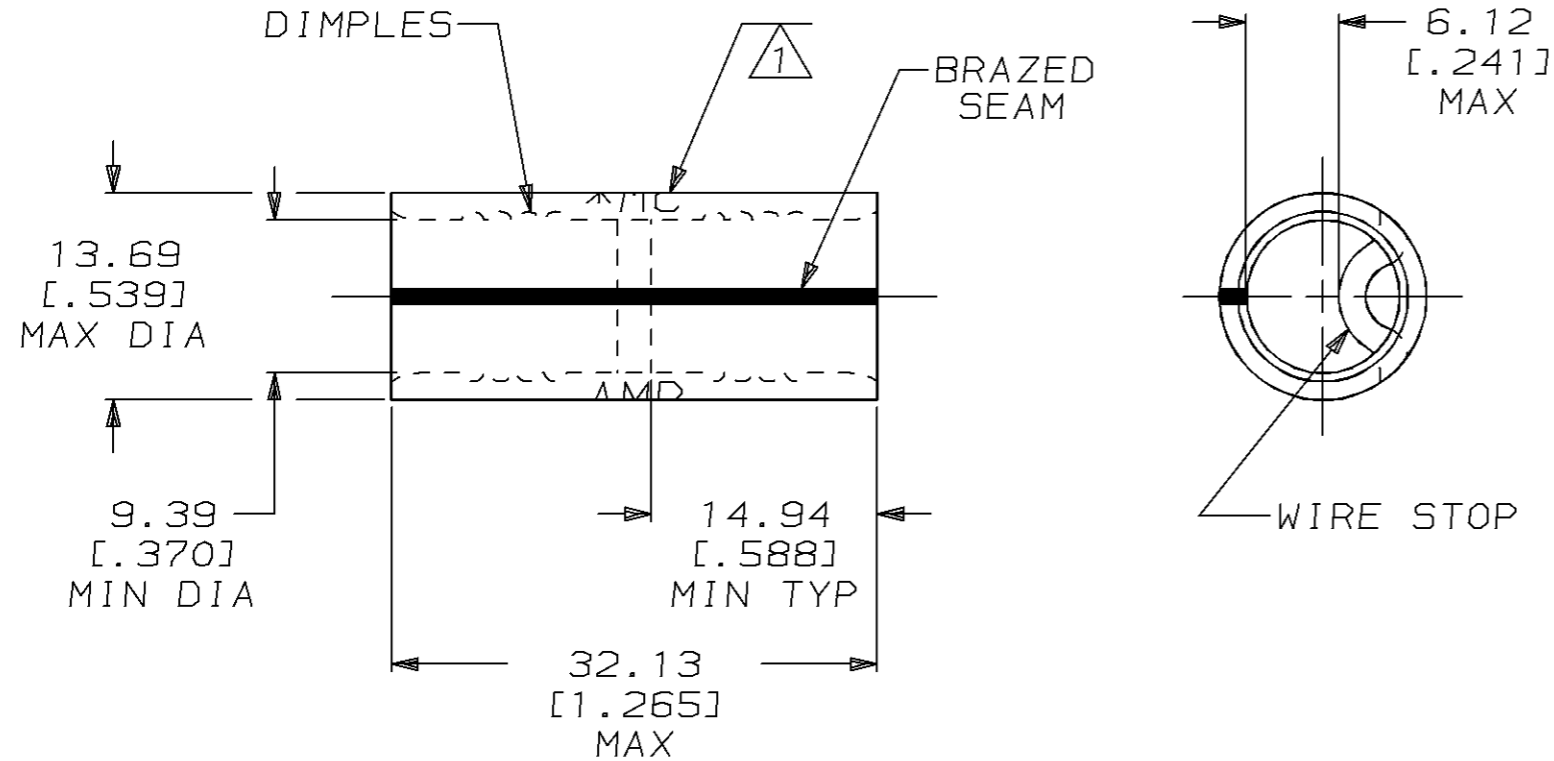


THIS DRAWING IS UNPUBLISHED. RELEASED FOR PUBLICATION, 19 .
 © COPYRIGHT 19 BY AMP INCORPORATED. ALL INTERNATIONAL RIGHTS RESERVED.

| LOC | DIST | P | F | REVISIONS | | | | |
|-----|------|---|---|-----------|-----|--------------------------|---------|---------|
| G | 14 | | | ZONE | LTR | DESCRIPTION | DATE | APPD |
| | | | | | K | REVISED PER 0L20-0045-97 | 24MAR97 | JKS CHK |

| AMP PART NUMBER | PACKAGE TYPE | QTY |
|-----------------|------------------|-----|
| 8-35189-3 | LOOSE PIECE, BOX | 25 |
| 8-35189-5 | LOOSE PIECE, SPL | 10 |
| 8-35189-6 | LOOSE PIECE, BAG | 10 |

| | |
|----------------------------|---------------------------|
| AMP WIRE RANGE | E13288 Listed |
| 2 AWG SOLID OR STRANDED | 2 AWG STRANDED |
| LR7189 Certified | MILITARY P/N AND CLASS |
| 2 AWG SOLID OR STRANDED | NOT APPLICABLE |



- 1 STAMP AMP 2W* 60-75 APPROX AS SHOWN
- 2 MATERIAL THK: 1.78±0.08 [.070±.003]

| | | | | | | | | | |
|--|--|---|--|---|--|---|--|---|--|
| AMP INCORPORATED CUSTOMER SERVICE SYSTEMS | | MAX RECOMMENDED OPERATING TEMPERATURE: 170°C MAX | | DO NOT SCALE PRINT. UNLESS SPECIFIED DIMENSIONS IN mm [INCHES] TOLERANCES ON: 2 PLC DEC ± 0.20 [.008] 3 PLC DEC ± - ANGLES ± - | | DR 5/21/93 DK SCHRUM CHK 1/27/94 RD HEIM APPD 1/27/94 RE ROSER APPD 1/27/94 JL MECKLEY PRODUCT SPEC - | | 35189 PART NO | |
| FOR ADDITIONAL PRODUCT INFORMATION OR COPIES OF DRAWINGS AND TECHNICAL DOCUMENTS | | PRODUCT INFORMATION CENTER 1-800-522-6752 | | VOLTAGE RATING: NOT APPLICABLE | | MATERIAL COPPER ASTM B-152 ANNEALED | | AMP AMP Incorporated Harrisburg, PA 17105-3608 | |
| FOR APPLICATION TOOLING INFORMATION | | TOOLING ASSISTANCE CENTER 1-800-722-1111 | | CIRCULAR MIL AREA: 26.7-42.4mm² [52,600-83,700] CIR MILS SOLID OR STRANDED | | FINISH TIN PLATE 0.00254 [.000100] MIN THK PER MIL-T-10727 | | NAME SPLICE, BUTT, SOLISTRAND™ | |
| FOR ORDER ENTRY | | 1-800-526-5142 | | THIS DRAWING IS A CONTROLLED DOCUMENT FOR AMP INCORPORATED. IT IS SUBJECT TO CHANGE AND THE CONTROLLING ENGINEERING ORGANIZATION SHOULD BE CONTACTED FOR THE LATEST REVISION. | | APPLICATION SPEC - | | SIZE B CAGE CODE 00779 DRAWING NO C-35189 | |
| | | | | | | WEIGHT - | | SCALE 2:1 SHEET 1 OF 1 | |