



Chipsmall Limited consists of a professional team with an average of over 10 year of expertise in the distribution of electronic components. Based in Hongkong, we have already established firm and mutual-benefit business relationships with customers from,Europe,America and south Asia,supplying obsolete and hard-to-find components to meet their specific needs.

With the principle of "Quality Parts,Customers Priority,Honest Operation,and Considerate Service",our business mainly focus on the distribution of electronic components. Line cards we deal with include Microchip,ALPS,ROHM,Xilinx,Pulse,ON,Everlight and Freescale. Main products comprise IC,Modules,Potentiometer,IC Socket,Relay,Connector.Our parts cover such applications as commercial,industrial, and automotives areas.

We are looking forward to setting up business relationship with you and hope to provide you with the best service and solution. Let us make a better world for our industry!



Contact us

Tel: +86-755-8981 8866 Fax: +86-755-8427 6832

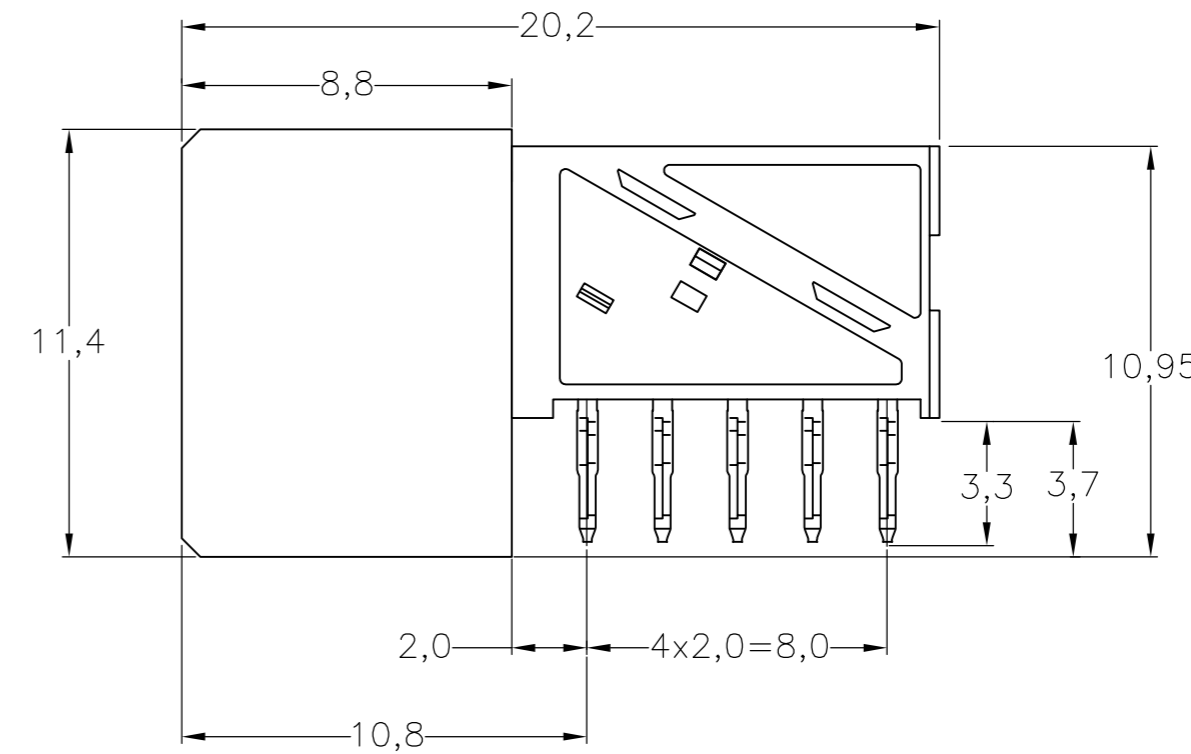
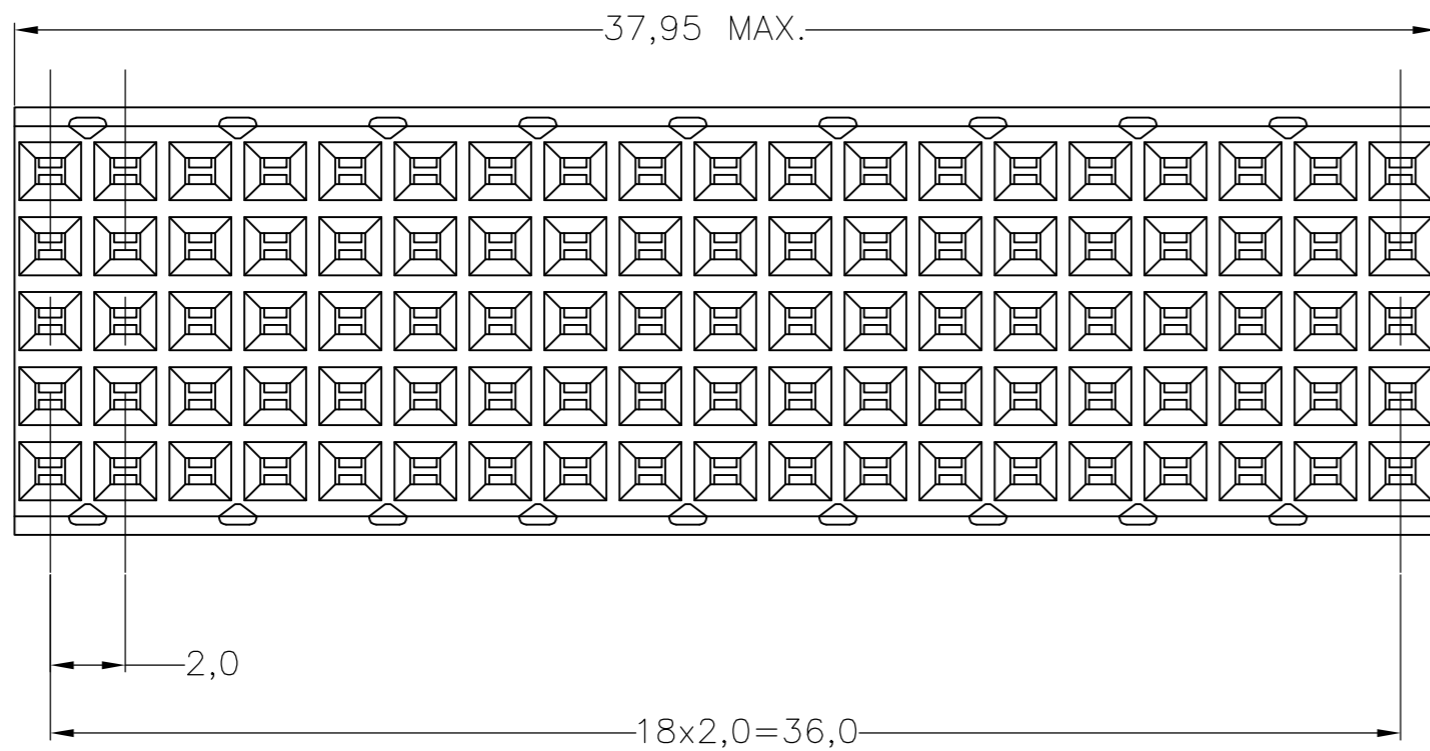
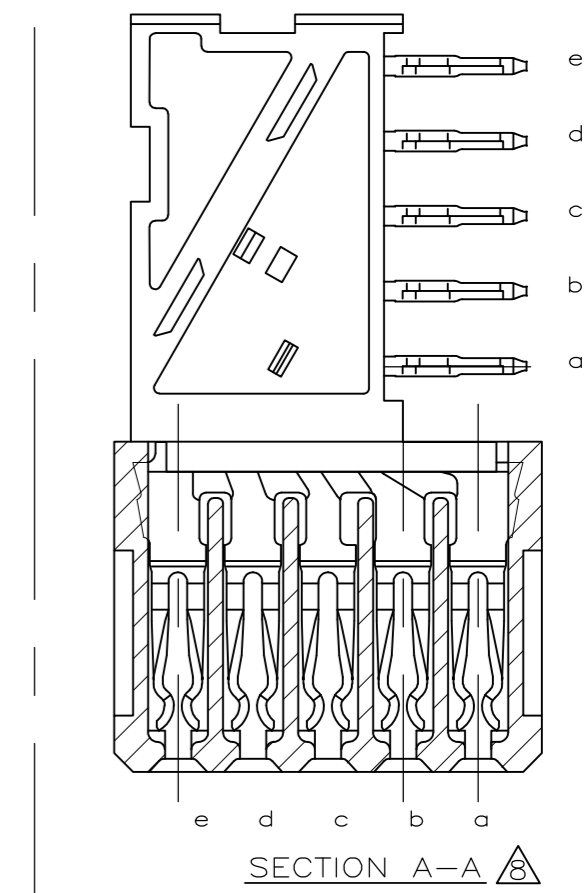
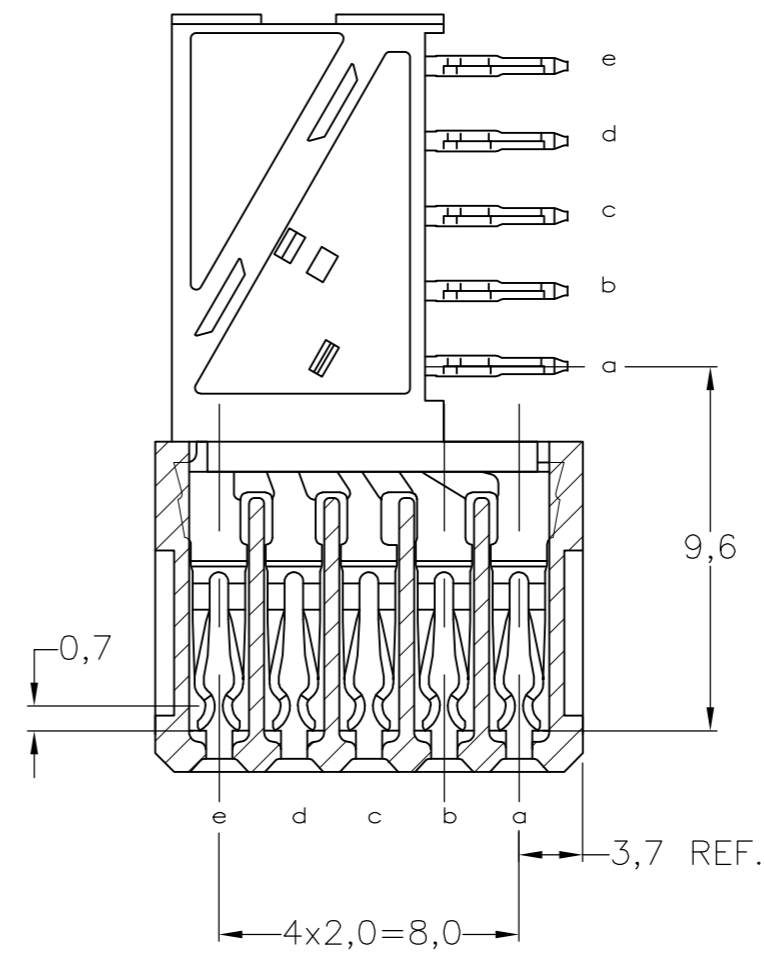
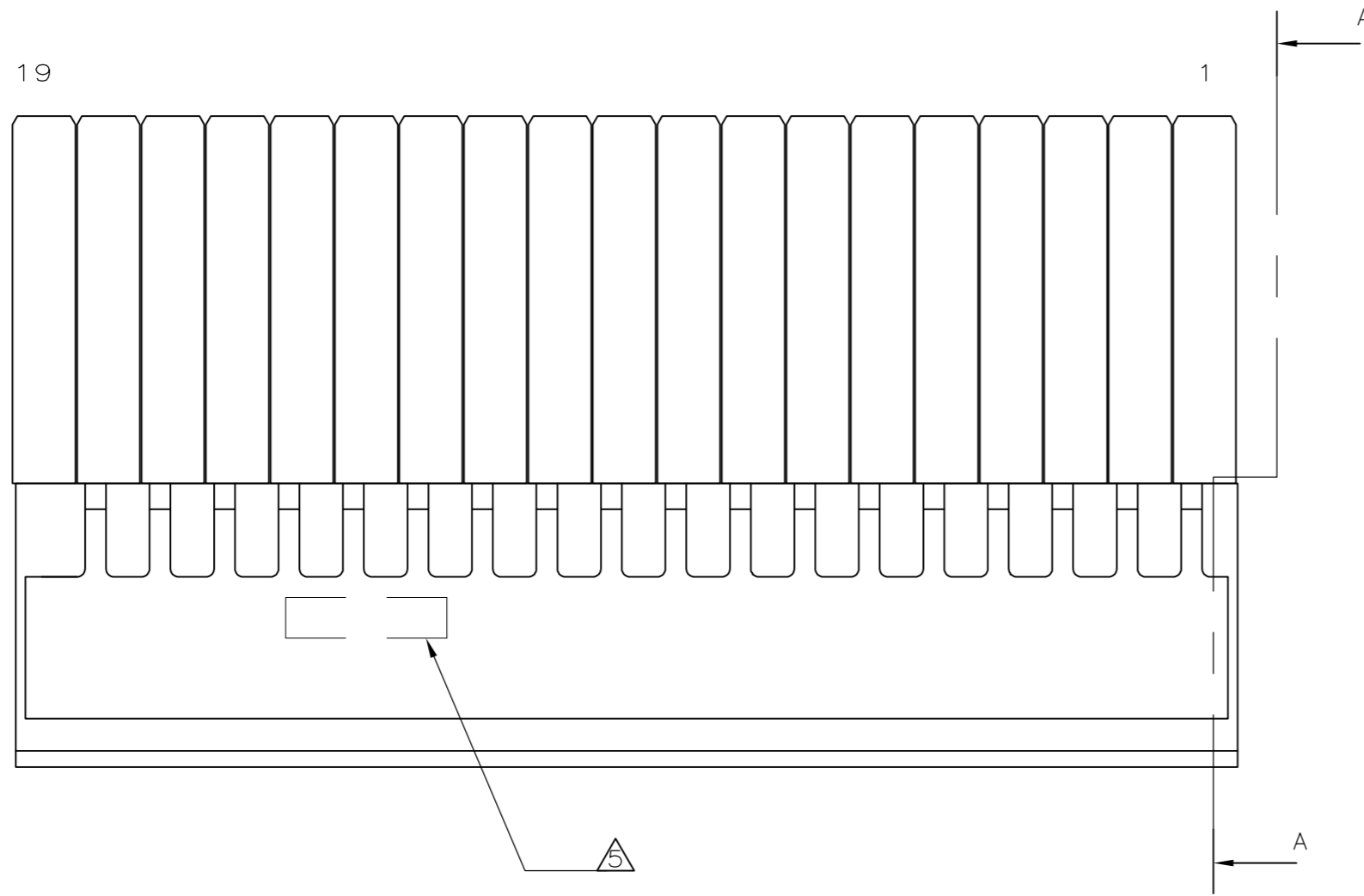
Email & Skype: info@chipsmall.com Web: www.chipsmall.com

Address: A1208, Overseas Decoration Building, #122 Zhenhua RD., Futian, Shenzhen, China



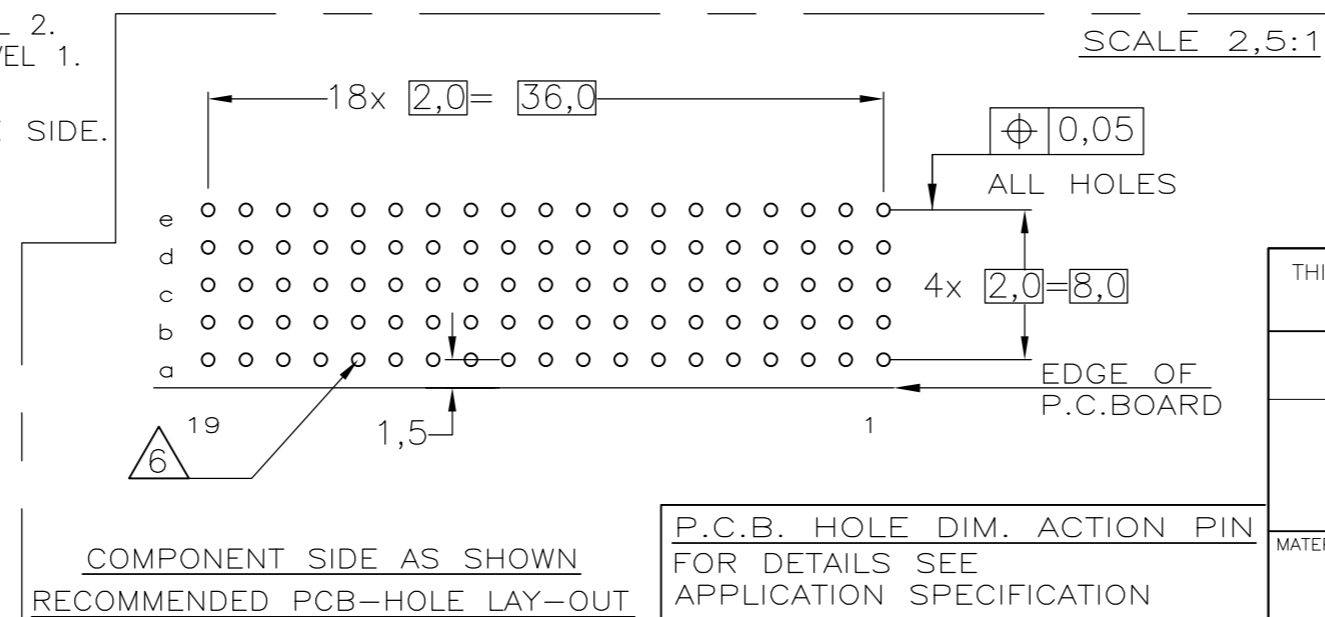
THIS DRAWING IS UNPUBLISHED. RELEASED FOR PUBLICATION
 © COPYRIGHT - By - ALL RIGHTS RESERVED.

LOC		DIST		REVISIONS			
P	LTR	DESCRIPTION		DATE	DWN	APVD	
H	-	L	REVISED PER ECR-13-000757	18JAN2013	FL	AC	



NOTES:

- 1 MATERIAL CONTACT; PHOSPHORBRONZE
MATERIAL HOUSING;
GLASSFILLED POLYESTER UL-RATING 94V0 (GRAY)
- 2 GENERAL PLATING SPECIFICATION: UNDERPLATING (ENTIRE CONTACT): 1,27µm NICKEL MIN.
AND ACTION PIN: 0,5µm TIN-LEAD MIN.
FOR PLATING OF MATING SURFACES SEE APPLICABLE SPECIFICATION REFERENCE FOR EACH DASH NUMBER.
- 3 CONFORMS TO ALL TESTING ACCORDING IEC 61076-4-101 PERFORMANCE LEVEL 2.
- 4 CONFORMS TO ALL TESTING ACCORDING IEC 61076-4-101 PERFORMANCE LEVEL 1.
- 5 CONNECTOR PRINTED WITH PARTNUMBER AND DATECODE
THE MARKING CAN APPEAR ON THE FRONT SIDE OR ON THE BACK SIDE.
- 6 PLATED-THROUGH HOLES AT 2x2mm SQUARE GRID. 95 HOLES
- 7 FITS WITH INTEGRATED GROUND RETURN UPSHIELD,
BASIC P.N. 352028
AND INTEGRATED GROUND RETURN LOWERSHIELD,
BASIC P.N. 352029
- 8 CONNECTOR ASSEMBLED WITH REDESIGNED CONTACTS.
CONTACTS HAVE A CORING-OUT IN THE PLASTIC.
- 9 0.76µm MIN GOLD PLATING AT MATING SURFACES.
- 10 OBSOLETE PARTS: OBSOLETE CIS STREAMLINING PER
D.RENAUD/D.SINISI.



THIS DRAWING IS A CONTROLLED DOCUMENT.

DIMENSIONS:	TOLERANCES UNLESS OTHERWISE SPECIFIED:
mm	±0.2
0-PLC	±
1-PLC	±
2-PLC	±
3-PLC	±
4-PLC	±
ANGLES	±
FINISH	

DWN	20JAN97	E. MÖHLMANN	NAME	TE Connectivity
CHK	20JAN97	W.V.D.HEIJDEN	PRODUCT SPEC	Z-PACK 2MM HM 95 POS. (19 COLUMNS) FEMALE DAUGHTER CARD CONNECTOR
APVD	-	F.V.KONINGSBRUGGE	APPLICATION SPEC	108-19082
WEIGHT	-	114-19029	SIZE	A2
CUSTOMER DRAWING	SCALE	00779	CAGE CODE	C=352009
	NTS		DRAWING NO	1 of 1
			RESTRICTED TO	L