



Chipsmall Limited consists of a professional team with an average of over 10 year of expertise in the distribution of electronic components. Based in Hongkong, we have already established firm and mutual-benefit business relationships with customers from,Europe,America and south Asia,supplying obsolete and hard-to-find components to meet their specific needs.

With the principle of “Quality Parts,Customers Priority,Honest Operation,and Considerate Service”,our business mainly focus on the distribution of electronic components. Line cards we deal with include Microchip,ALPS,ROHM,Xilinx,Pulse,ON,Everlight and Freescale. Main products comprise IC,Modules,Potentiometer,IC Socket,Relay,Connector.Our parts cover such applications as commercial,industrial, and automotives areas.

We are looking forward to setting up business relationship with you and hope to provide you with the best service and solution. Let us make a better world for our industry!



Contact us

Tel: +86-755-8981 8866 Fax: +86-755-8427 6832

Email & Skype: info@chipsmall.com Web: www.chipsmall.com

Address: A1208, Overseas Decoration Building, #122 Zhenhua RD., Futian, Shenzhen, China



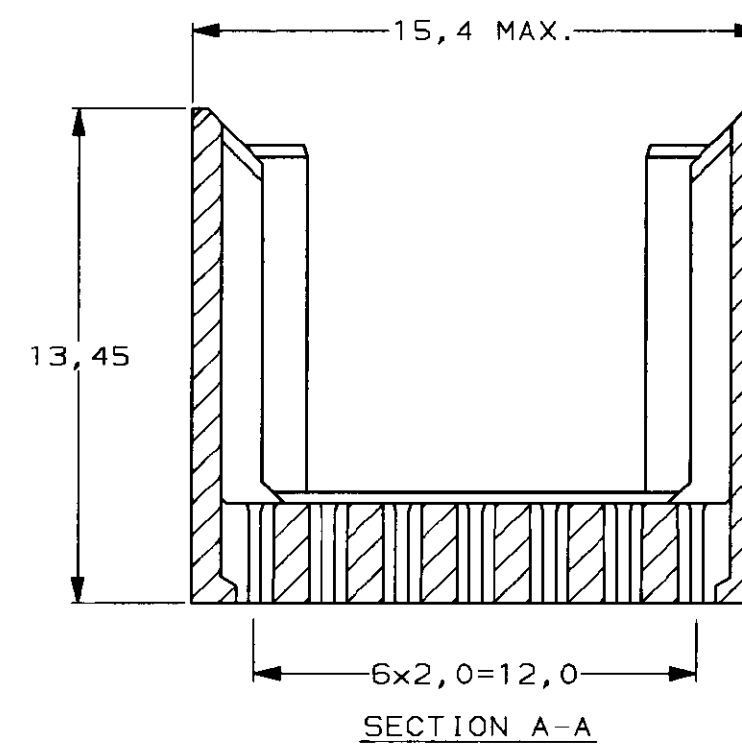
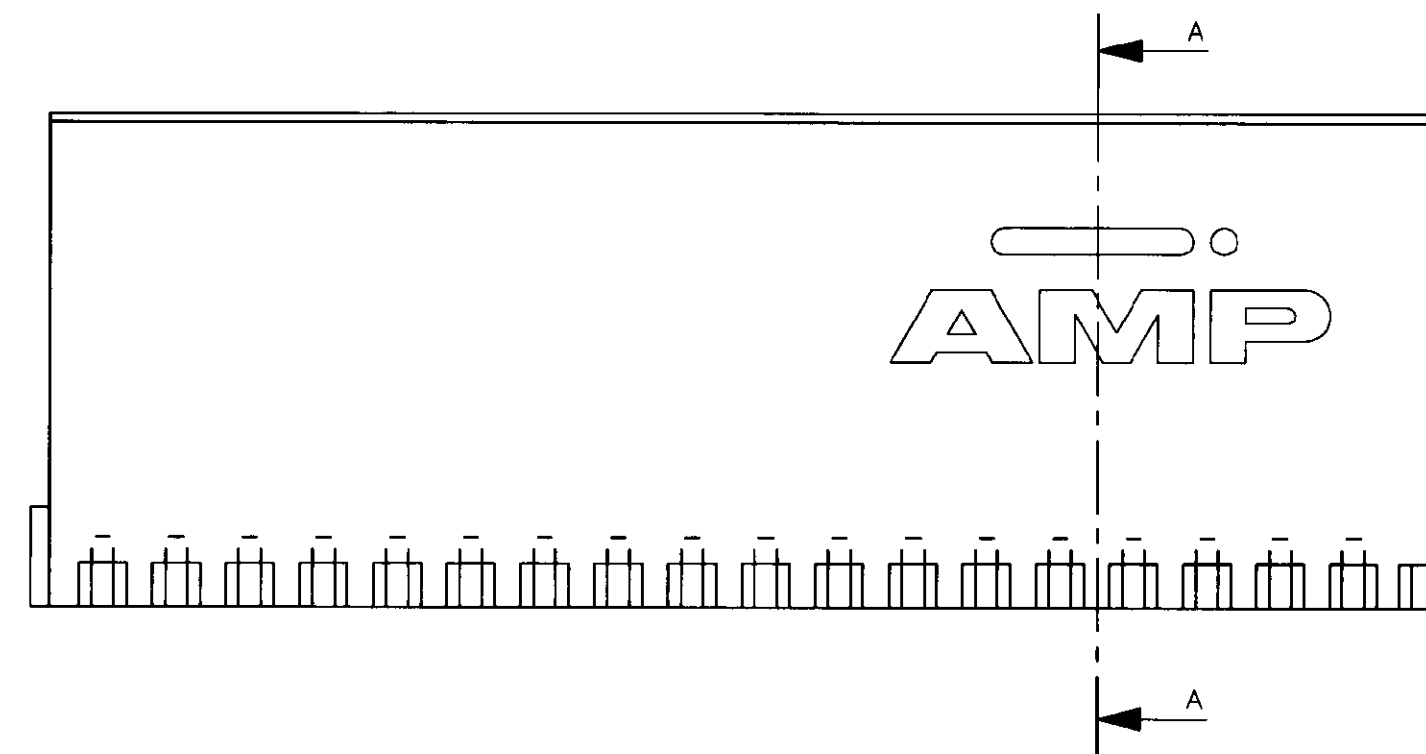
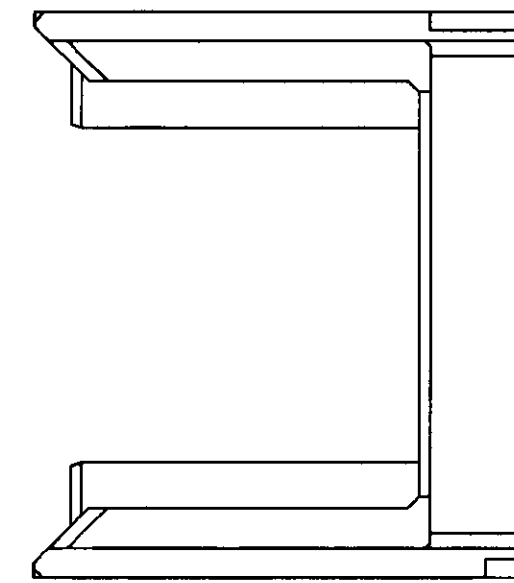
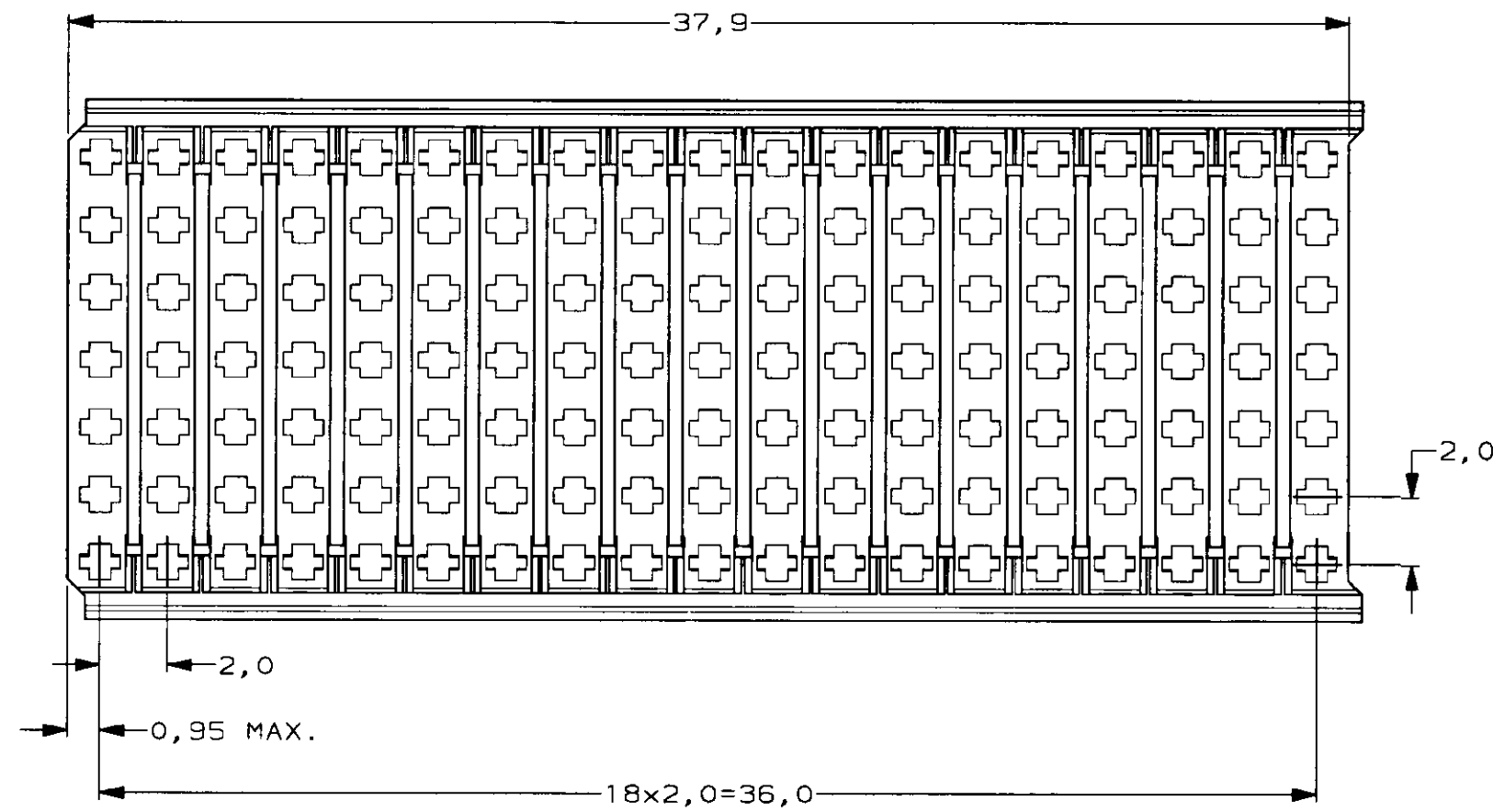
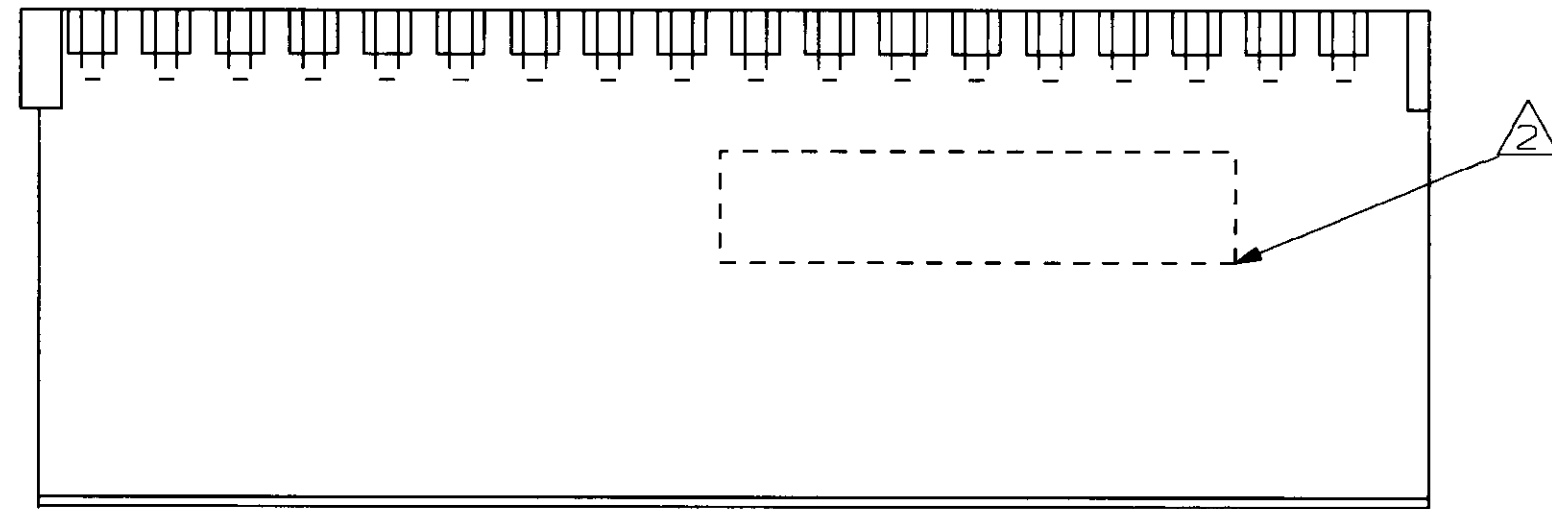
DO NOT SCALE
DIMENSIONS IN mm

METRIC


THIRD ANGLE
PROJECTION

NOTES:

- 1 MATERIAL HOUSING: GLASSFILLED POLYESTER.
- 2 HOUSING PRINTED WITH PARTNUMBER AND DATE CODE.



352011-2 AS SHOWN

		FINISH		MATERIAL		PARTNUMBER	
-	-	-	-	-	-	CUSTOMER DRAWING FOR REFERENCE ONLY WILL NOT BE UPDATED	
-	-	-	-	-	-	© COPYRIGHT 1996 BY AMP-HOLLAND B.V. ALL INTERNATIONAL RIGHTS RESERVED. AMP PRODUCTS MAY BE COVERED BY U.S. AND FOREIGN AND/OR PATENTS PENDING.	
-	-	-	-	-	-	THIS DRAWING IS UNPUBLISHED. RELEASED FOR PUBLICATION, 19	
-	-	-	-	-	-	 AMP HOLLAND B.V. s-Hertogenbosch, The Netherlands.	
-	-	-	-	-	-	NAME Z-PACK 2mm HM	
0	EH-0196-96	DT	FvK	19-AUG-96		133 POS. SHROUD TYPE B	
LTR.	REVISION RECORD		DR.	CHK.	DATE		
DR.:	D. TRUREN	CHK.:	F.v.KONINGSBRUGGE	APP.:	B. MOOIJ	DWG. No.	REV. LTR.
DATE:	19-AUG-96	DATE:	19-AUG-96	DATE:	-	352011	0
						SHEET	1 of 1
							A2