



Chipsmall Limited consists of a professional team with an average of over 10 year of expertise in the distribution of electronic components. Based in Hongkong, we have already established firm and mutual-benefit business relationships with customers from,Europe,America and south Asia,supplying obsolete and hard-to-find components to meet their specific needs.

With the principle of “Quality Parts,Customers Priority,Honest Operation,and Considerate Service”,our business mainly focus on the distribution of electronic components. Line cards we deal with include Microchip,ALPS,ROHM,Xilinx,Pulse,ON,Everlight and Freescale. Main products comprise IC,Modules,Potentiometer,IC Socket,Relay,Connector.Our parts cover such applications as commercial,industrial, and automotives areas.

We are looking forward to setting up business relationship with you and hope to provide you with the best service and solution. Let us make a better world for our industry!



## Contact us

Tel: +86-755-8981 8866 Fax: +86-755-8427 6832

Email & Skype: info@chipsmall.com Web: www.chipsmall.com

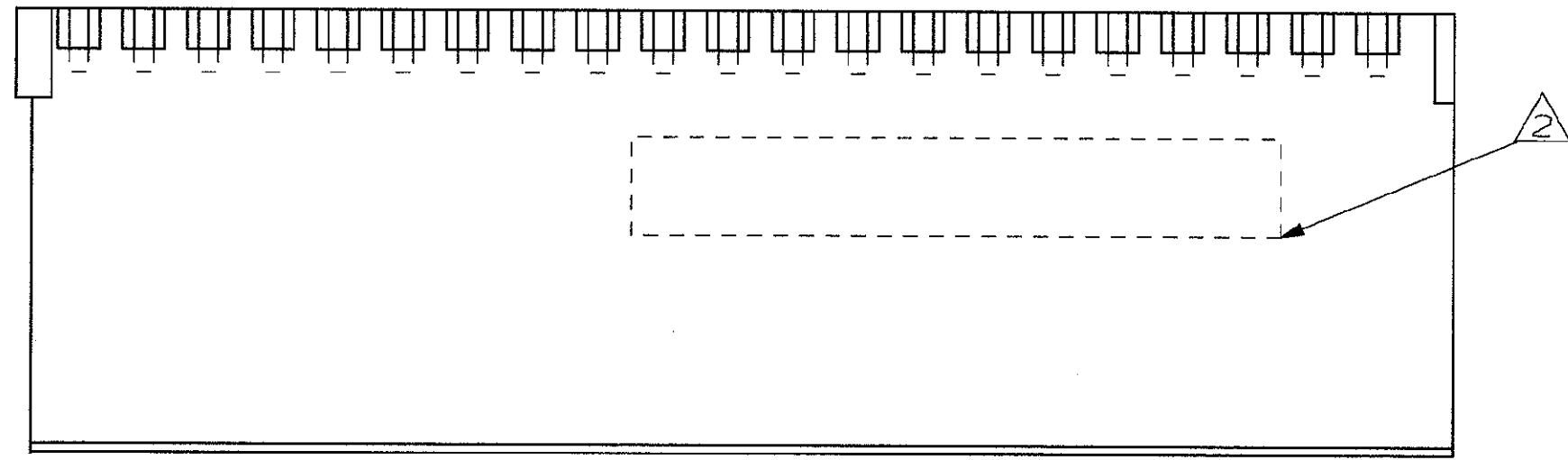
Address: A1208, Overseas Decoration Building, #122 Zhenhua RD., Futian, Shenzhen, China



DO NOT SCALE  
DIMENSIONS IN mm

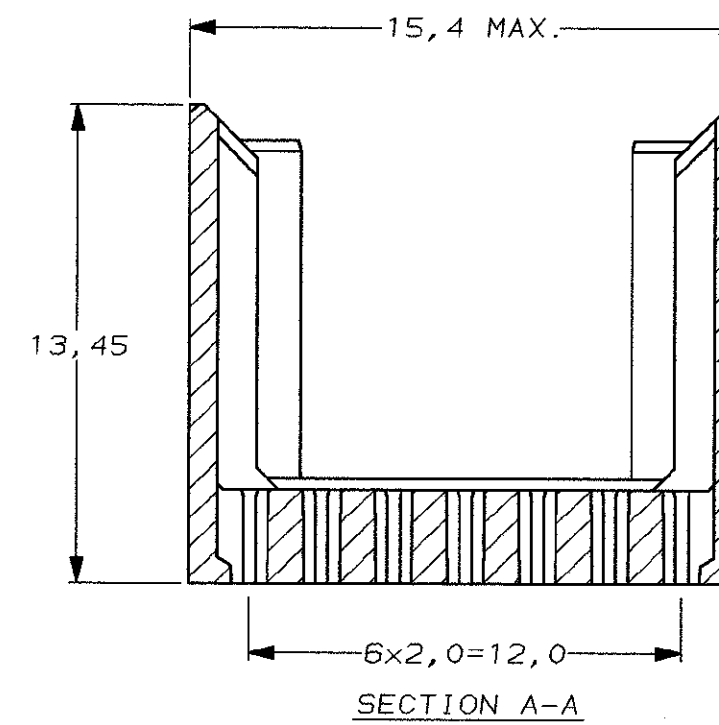
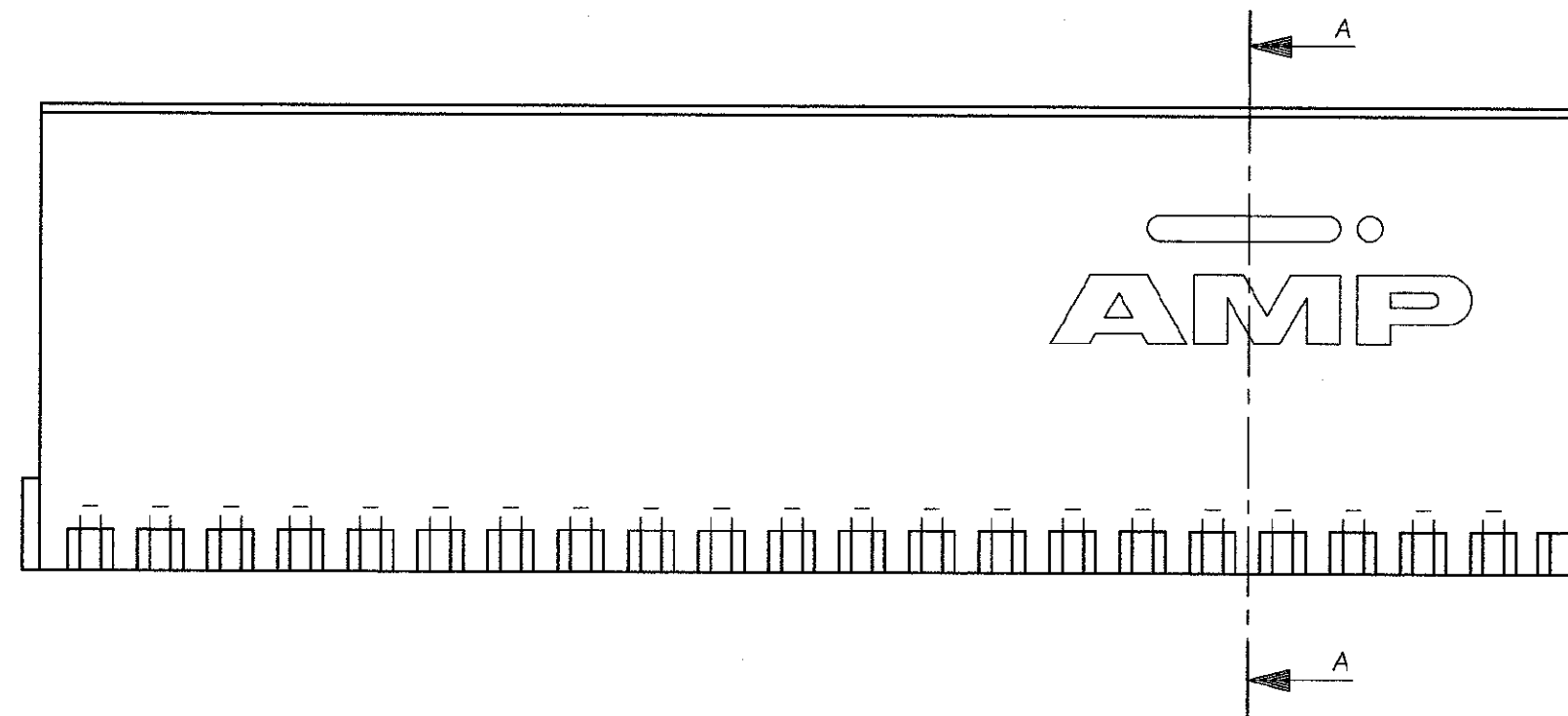
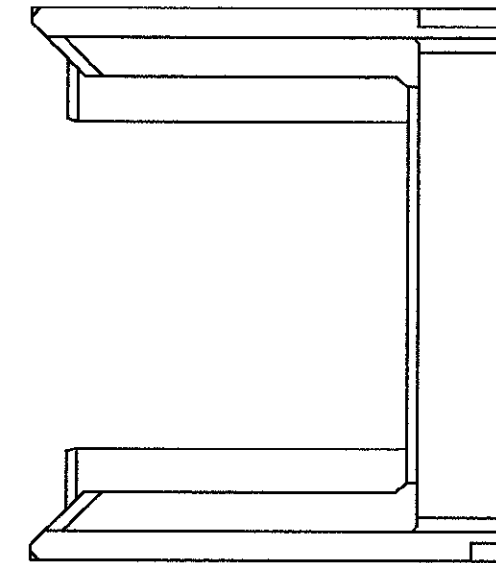
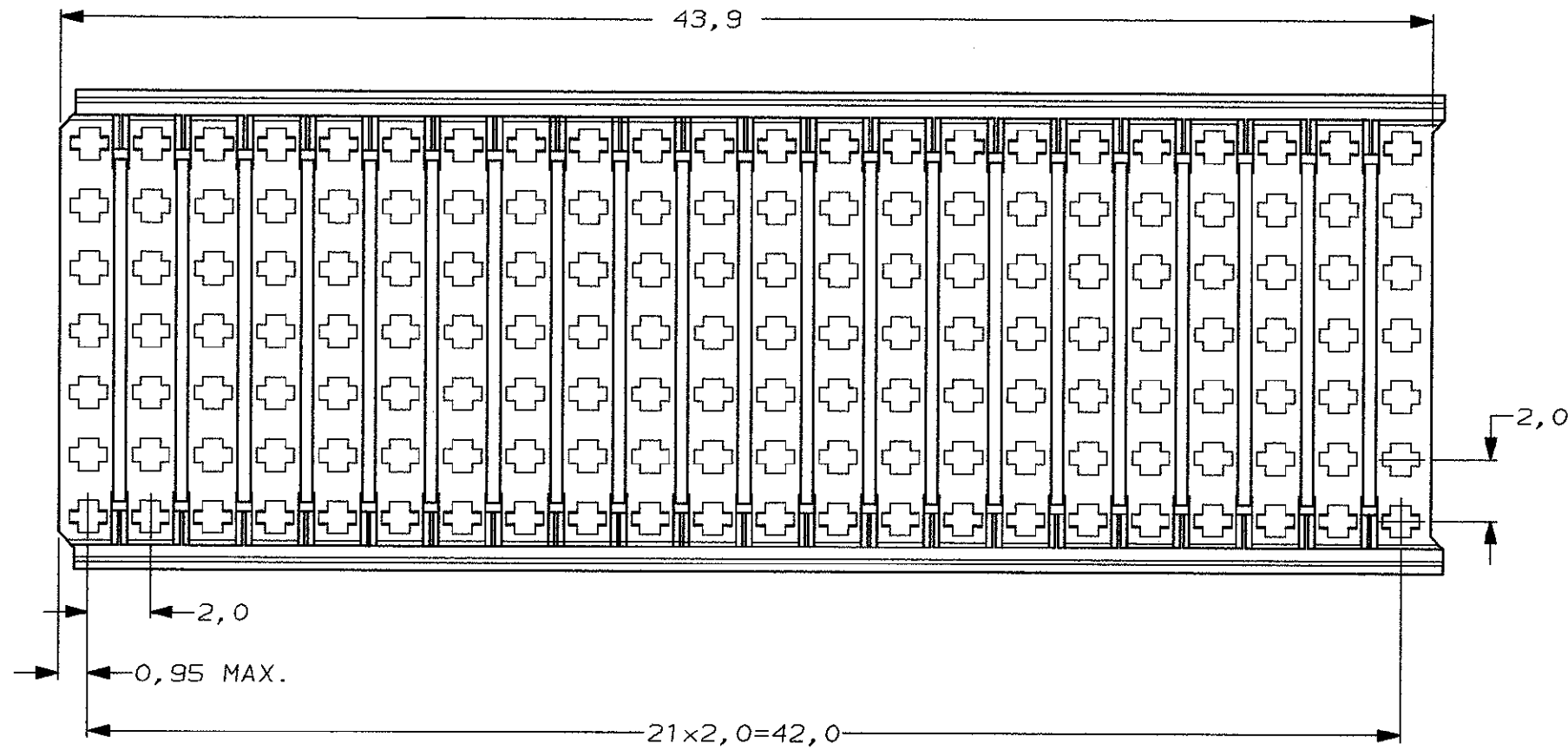
METRIC

THIRD ANGLE  
PROJECTION



NOTES:

- 1 MATERIAL HOUSING: GLASSFILLED POLYESTER.
- △ HOUSING PRINTED WITH PARTNUMBER AND DATE CODE.



352130-2 AS SHOWN

FINISH		MATERIAL		PARTNUMBER		
-	-	-	-	CUSTOMER DRAWING FOR REFERENCE ONLY WILL NOT BE UPDATED		
-	-	-	-	© COPYRIGHT 1996 BY AMP-HOLLAND B.V. ALL INTERNATIONAL RIGHTS RESERVED. AMP PRODUCTS MAY BE COVERED BY U.S. AND FOREIGN AND/OR PATENTS PENDING.		
-	-	-	-	THIS DRAWING IS UNPUBLISHED RELEASED FOR PUBLICATION		
-	-	-	-	AMP HOLLAND B.V. 's-Hertogenbosch, The Netherlands.		
A	EH-0196-96	DT	FvK	05-DEC-96	NAME	
0	EH-0196-96	DT	FvK	19-AUG-96	Z-PACK 2mm HM	
LTR.	REVISION RECORD			DR.	CHK.	DATE
DR.	D. TRUREN	CHK.	F. F. KOWINGSERUGGE	APP.	B. MOOIJ	DWG. No.
DATE.	19-AUG-96	DATE.	19-AUG-96	DATE.	1-7-97	C-352130
				REV. LTR.	SHEET	
				A	1 OF 1	A2