



Chipsmall Limited consists of a professional team with an average of over 10 year of expertise in the distribution of electronic components. Based in Hongkong, we have already established firm and mutual-benefit business relationships with customers from,Europe,America and south Asia,supplying obsolete and hard-to-find components to meet their specific needs.

With the principle of “Quality Parts,Customers Priority,Honest Operation,and Considerate Service”,our business mainly focus on the distribution of electronic components. Line cards we deal with include Microchip,ALPS,ROHM,Xilinx,Pulse,ON,Everlight and Freescale. Main products comprise IC,Modules,Potentiometer,IC Socket,Relay,Connector.Our parts cover such applications as commercial,industrial, and automotives areas.

We are looking forward to setting up business relationship with you and hope to provide you with the best service and solution. Let us make a better world for our industry!



## Contact us

Tel: +86-755-8981 8866 Fax: +86-755-8427 6832

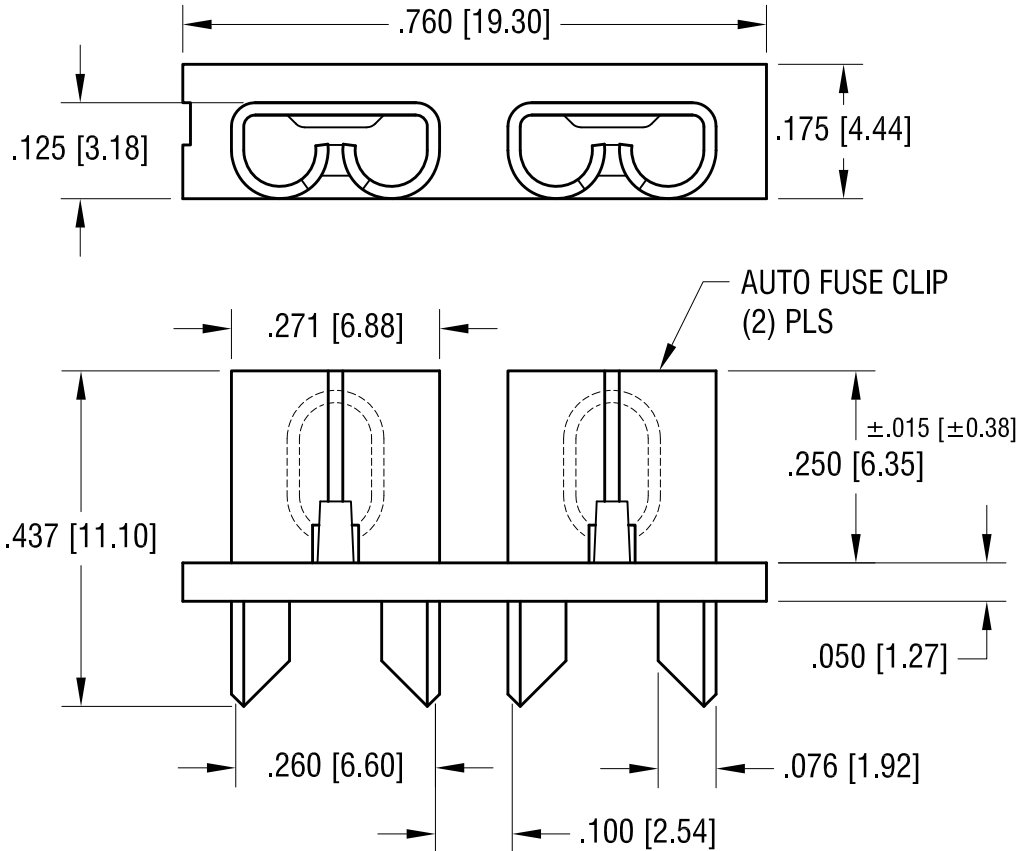
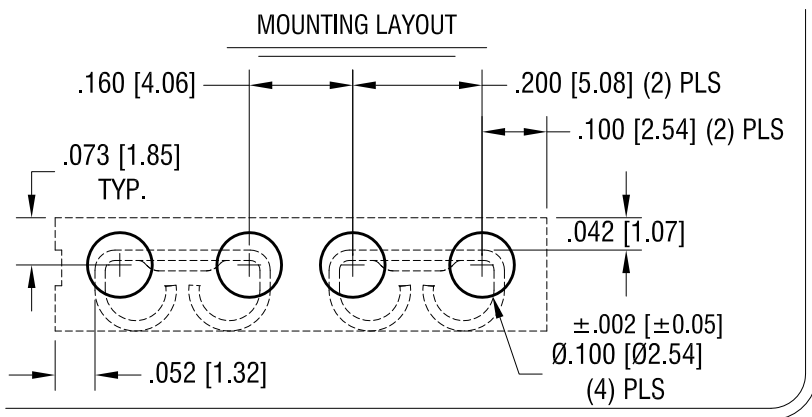
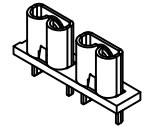
Email & Skype: info@chipsmall.com Web: www.chipsmall.com

Address: A1208, Overseas Decoration Building, #122 Zhenhua RD., Futian, Shenzhen, China



THIS DOCUMENT IS THE PROPERTY OF KEYSTONE ELECTRONICS CORP. AND SHALL NOT BE REPRODUCED, DISTRIBUTED OR USED AS A BASIS FOR MANUFACTURE WITHOUT PRIOR WRITTEN PERMISSION FROM KEYSTONE ELECTRONICS CORP.

ACTUAL SIZE



NOTE:

CLIP: .016 [0.40] TH'K BRASS, TIN NICKEL PLATE  
 BASE: MAT'L: NYLON 66/6, UL 94V-0  
 CURRENT RATING: 20 AMPS  
 VOLTAGE RATING: 500VAC  
 TEMPERATURE RATING: -58°F TO +292°F  
 (-50°C TO +145°C)

DATE	DESCRIPTION	REV.
11.03.15	CHANGE AS PER ECN15-130	H
8.18.15	CHANGE AS PER ECN15-079	G
3.0512	CHANGE AS PER ECN 12-029	F
8.18.06	CHANGE AS PER ECN 06-046	E
9.21.04	CHANGE AS PER ECN 04-121	D

<b>KEYSTONE ELECTRONICS CORP.</b>			
www.keyelco.com • ASTORIA, N.Y. 11105-2017 • Tel (718) 956-8900			
PART NAME		PC AUTO FUSE SOCKET	
MATERIAL		AS NOTED	
FINISH		AS NOTED	
TOLERANCES		INCH [MM]	CODE
DECIMAL		± .005 [± 0.15]	C
ANGULAR		± 1°	
UNLESS OTHERWISE SPECIFIED			
DRN BY	BOONE	DATE	10.5.92
APP'D	LN	SCALE	4X
DWG NO.		<b>3522-2</b>	