



Chipsmall Limited consists of a professional team with an average of over 10 year of expertise in the distribution of electronic components. Based in Hongkong, we have already established firm and mutual-benefit business relationships with customers from,Europe,America and south Asia,supplying obsolete and hard-to-find components to meet their specific needs.

With the principle of “Quality Parts,Customers Priority,Honest Operation,and Considerate Service”,our business mainly focus on the distribution of electronic components. Line cards we deal with include Microchip,ALPS,ROHM,Xilinx,Pulse,ON,Everlight and Freescale. Main products comprise IC,Modules,Potentiometer,IC Socket,Relay,Connector.Our parts cover such applications as commercial,industrial, and automotives areas.

We are looking forward to setting up business relationship with you and hope to provide you with the best service and solution. Let us make a better world for our industry!



Contact us

Tel: +86-755-8981 8866 Fax: +86-755-8427 6832

Email & Skype: info@chipsmall.com Web: www.chipsmall.com

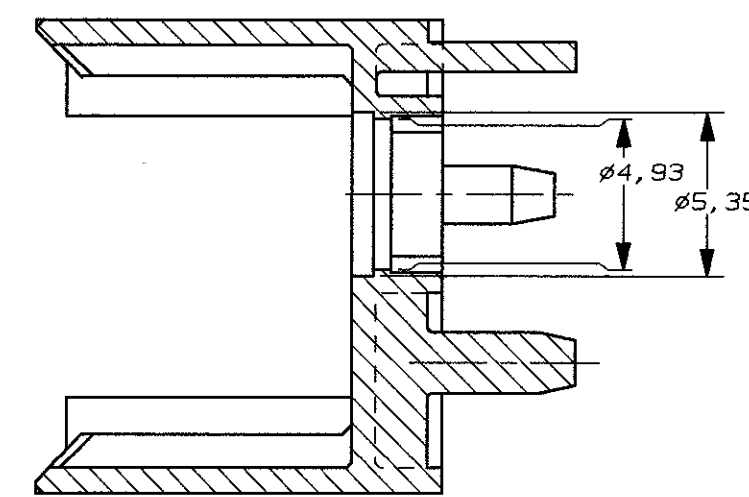
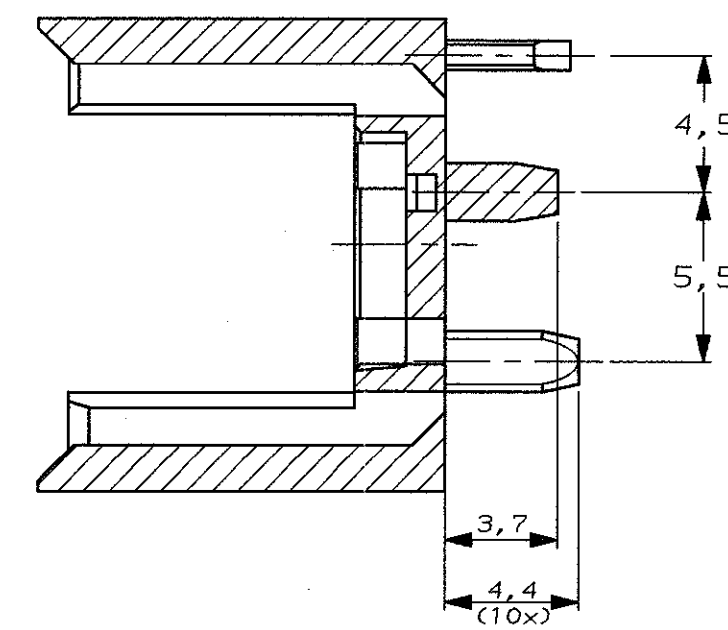
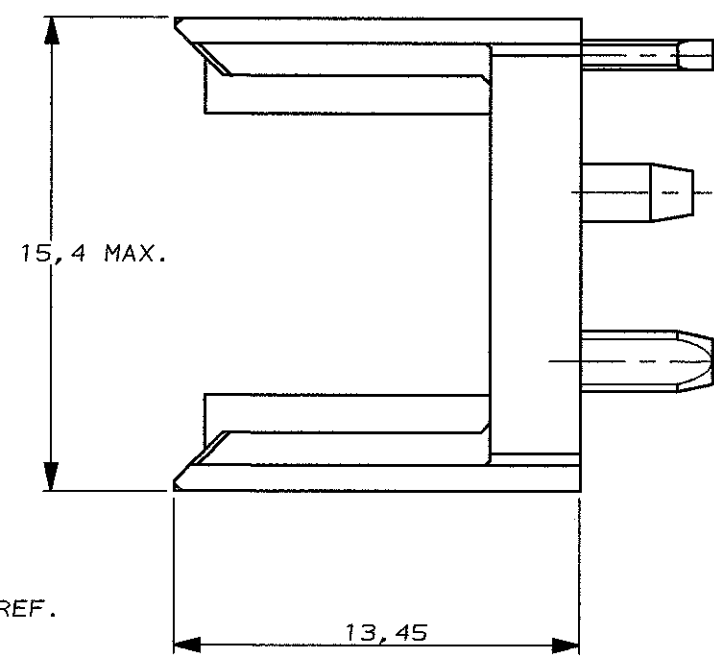
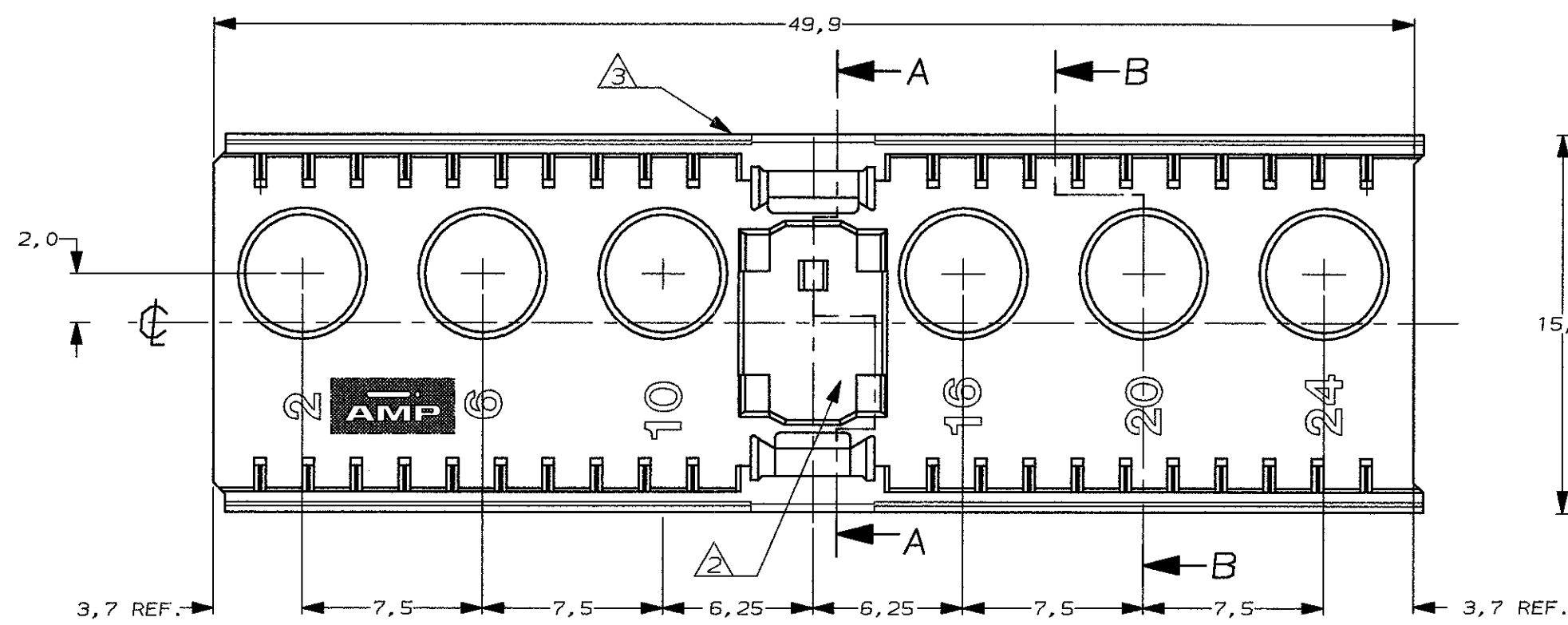
Address: A1208, Overseas Decoration Building, #122 Zhenhua RD., Futian, Shenzhen, China



DO NOT SCALE
DIMENSIONS IN mm

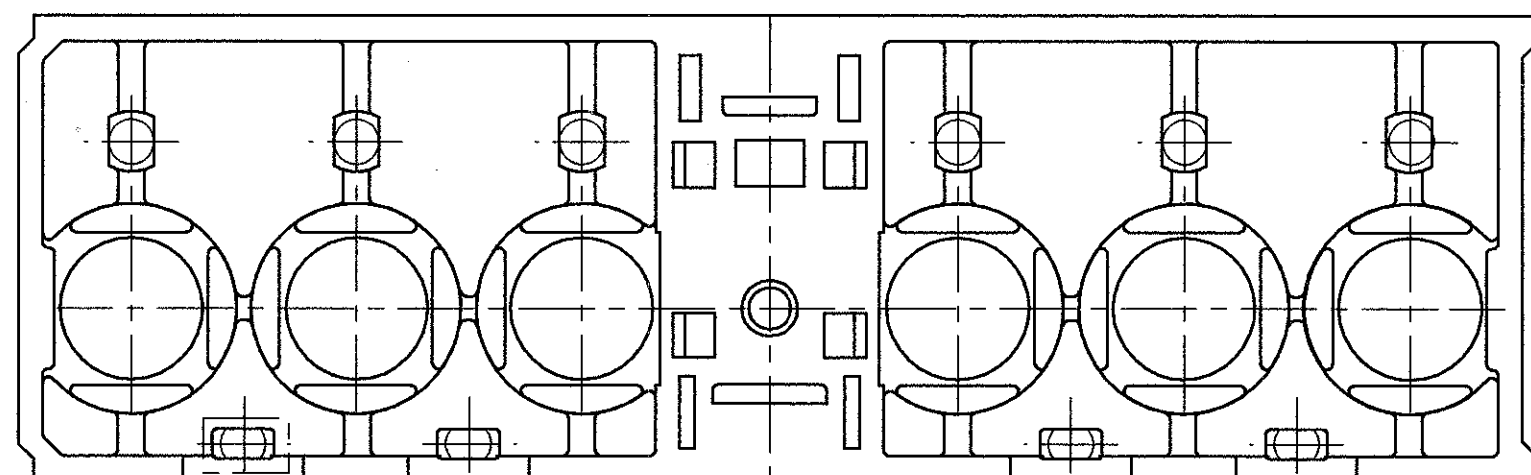
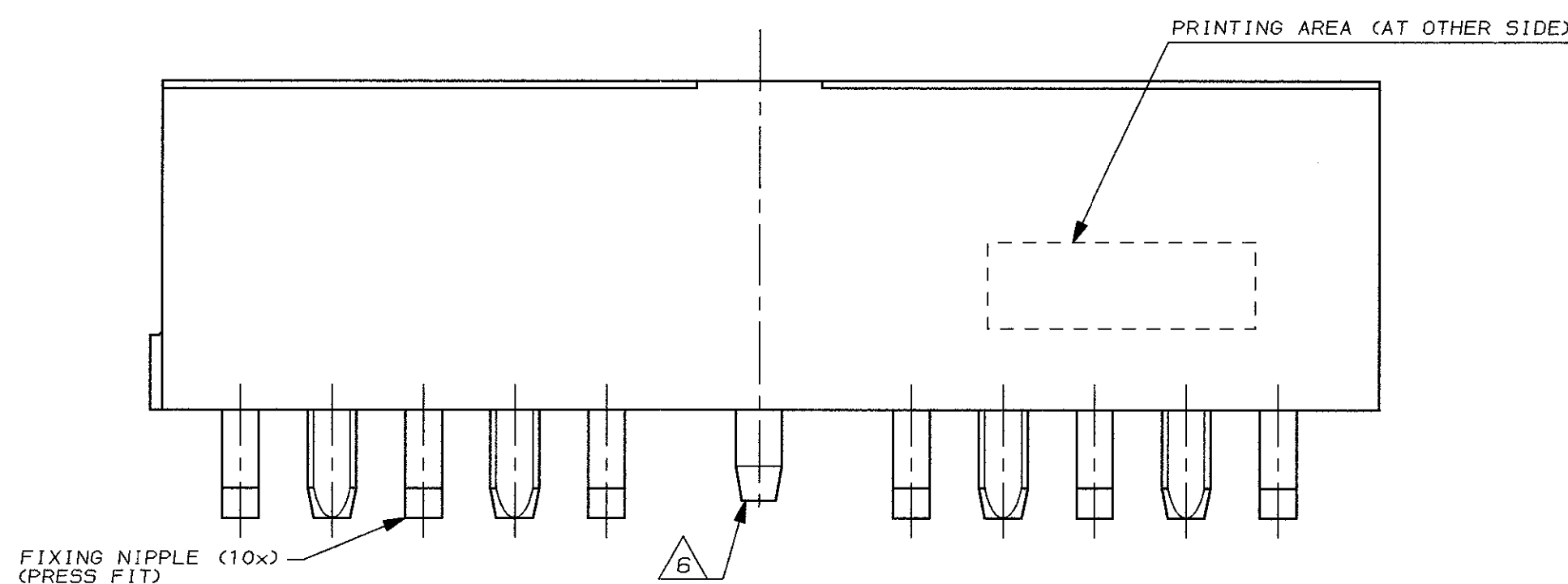
METRIC

THIRD ANGLE
PROJECTION



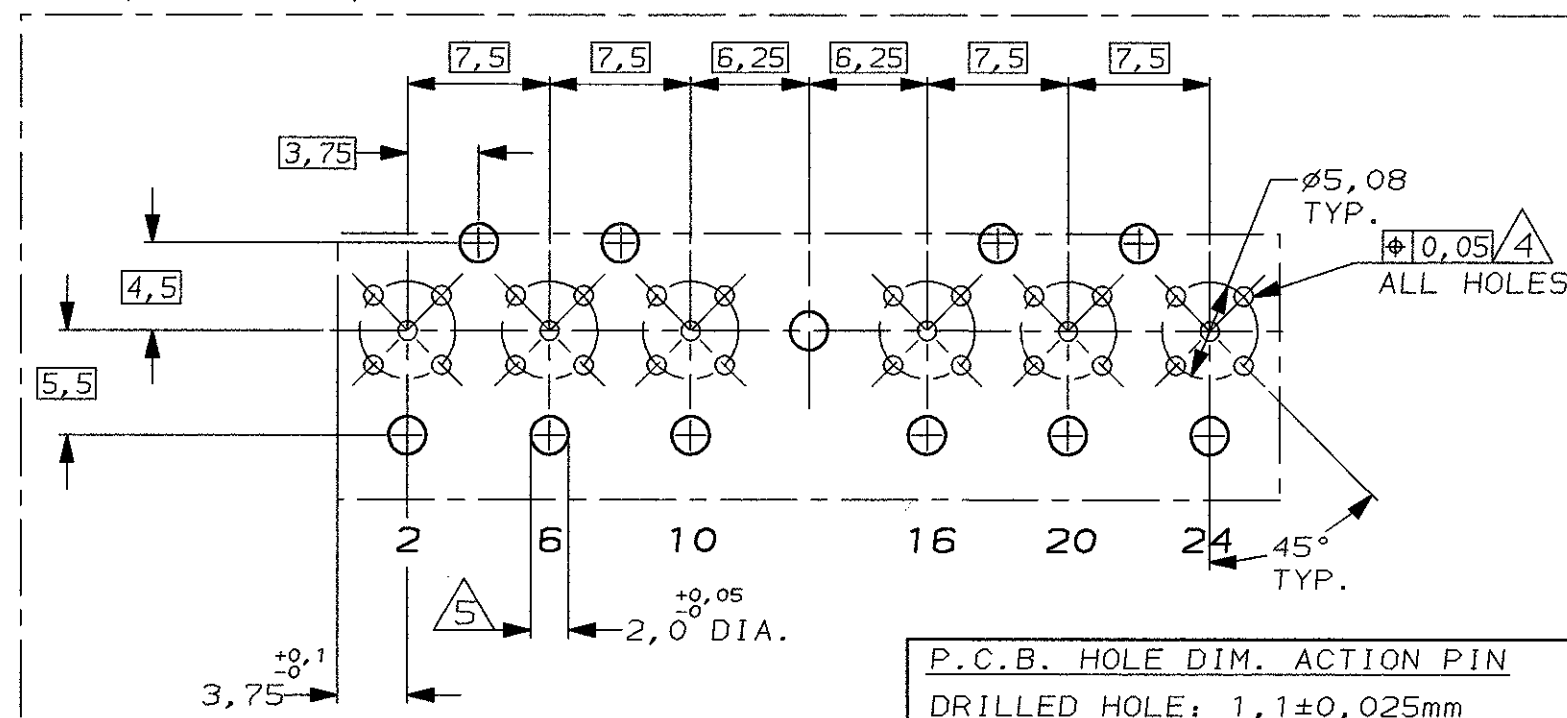
SECTION A-A

SECTION B-B



NOTES:

- 1 MATERIAL HOUSING : GREY GLASSFILLED POLYESTER UL-RATING 94V ϕ
- 2 AREA RESERVED FOR KEYING PART (BASIC P/N 100525).
- 3 CONNECTOR PRINTED WITH PARTNUMBER AND DATECODE.
- 4 PLATED-THROUGH HOLES AT 2x2mm SQUARE GRID. TOTAL 30 HOLES.
- 5 NOT PLATED-THROUGH HOLES (11x).
- 6 LOCATION PEG.



RECOMMENDED P.C.B.-HOLE LAY-OUT
COMPONENT SIDE SHOWN

P.C.B. HOLE DIM. ACTION PIN	
DRILLED HOLE:	1,1 ± 0,025mm
FIN. HOLE :	0,95 TO 1,05mm
Cu-thks :	0,025 TO 0,050mm
SnPb-thks :	0,004 TO 0,010mm

PRELIMINARY

FINISH		MATERIAL		PARTNUMBER	
-	-	-	-	-	352241-1
CUSTOMER DRAWING					
FOR REFERENCE ONLY WILL NOT BE UPDATED					
© COPYRIGHT 1997 BY AMP HOLLAND B.V. ALL INTERNATIONAL RIGHTS RESERVED. AMP PRODUCTS MAY BE COVERED BY U.S. AND FOREIGN AND/OR PATENTS PENDING. THIS DRAWING IS UNPUBLISHED RELEASED FOR PUBLICATION					
AMP				AMP HOLLAND B.V. 's-Hertogenbosch, The Netherlands.	
A	EH-0837-97	DT	FvK	01-JUL-97	NAME
O	EH-0112-97	DT	FvK	05-FEB-96	Z-PACK 2mm HM TYPE L
LTR.	REVISION RECORD	DR.	CHK.	DATE	MALE CONNECTOR HOUSING
					FOR PRESS-FIT COAX CONTACTS
DR.:	D. TRUREN	CHK.:	D. TRUREN	APP.:	F.v.KONINGSBRUGGE
DATE:	05-FEB-96	DATE:	05-FEB-96	DATE:	05-FEB-96
				DWG. No.	C-352241
				REV. LTR.	SHEET
				A	1 OF 1