



Chipsmall Limited consists of a professional team with an average of over 10 year of expertise in the distribution of electronic components. Based in Hongkong, we have already established firm and mutual-benefit business relationships with customers from,Europe,America and south Asia,supplying obsolete and hard-to-find components to meet their specific needs.

With the principle of “Quality Parts,Customers Priority,Honest Operation,and Considerate Service”,our business mainly focus on the distribution of electronic components. Line cards we deal with include Microchip,ALPS,ROHM,Xilinx,Pulse,ON,Everlight and Freescale. Main products comprise IC,Modules,Potentiometer,IC Socket,Relay,Connector.Our parts cover such applications as commercial,industrial, and automotives areas.

We are looking forward to setting up business relationship with you and hope to provide you with the best service and solution. Let us make a better world for our industry!



Contact us

Tel: +86-755-8981 8866 Fax: +86-755-8427 6832

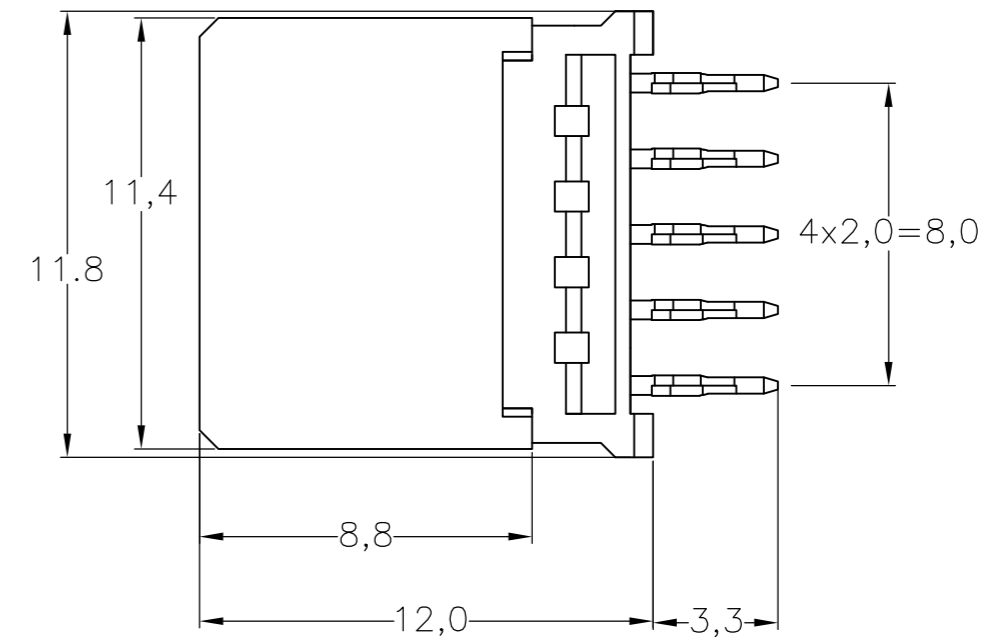
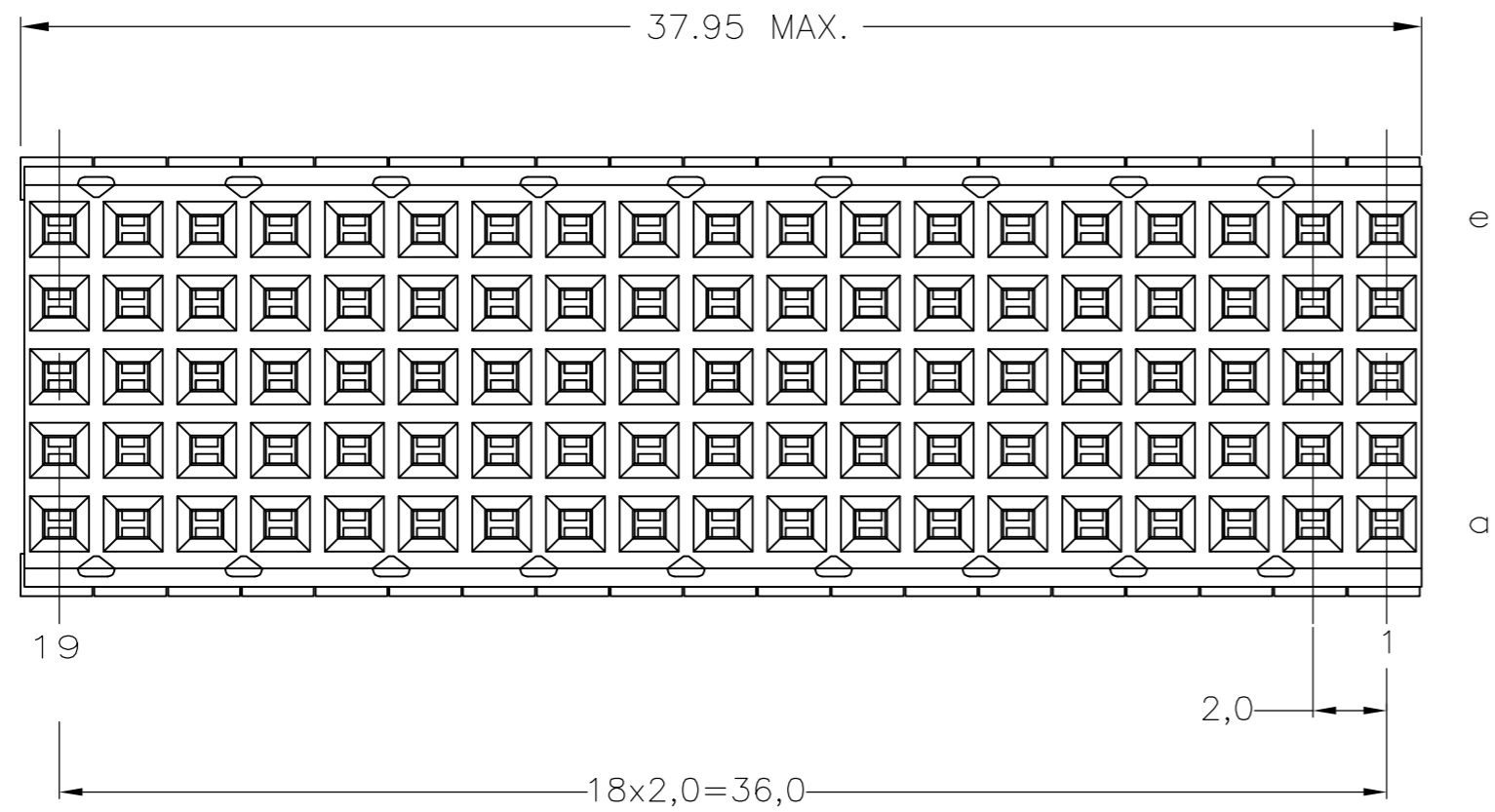
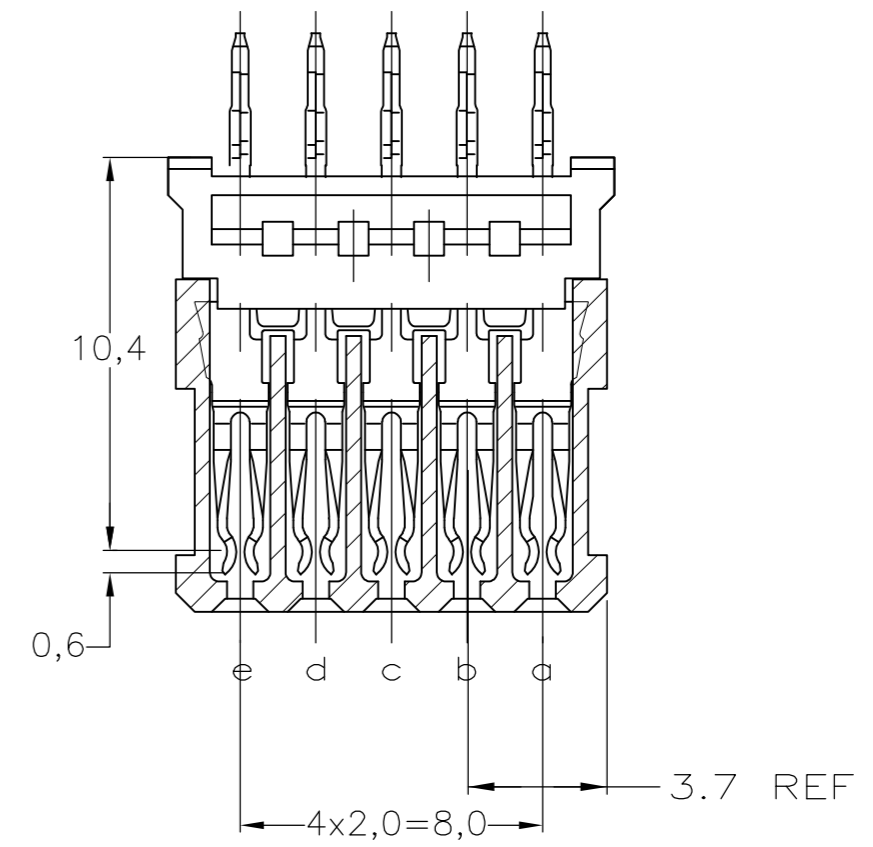
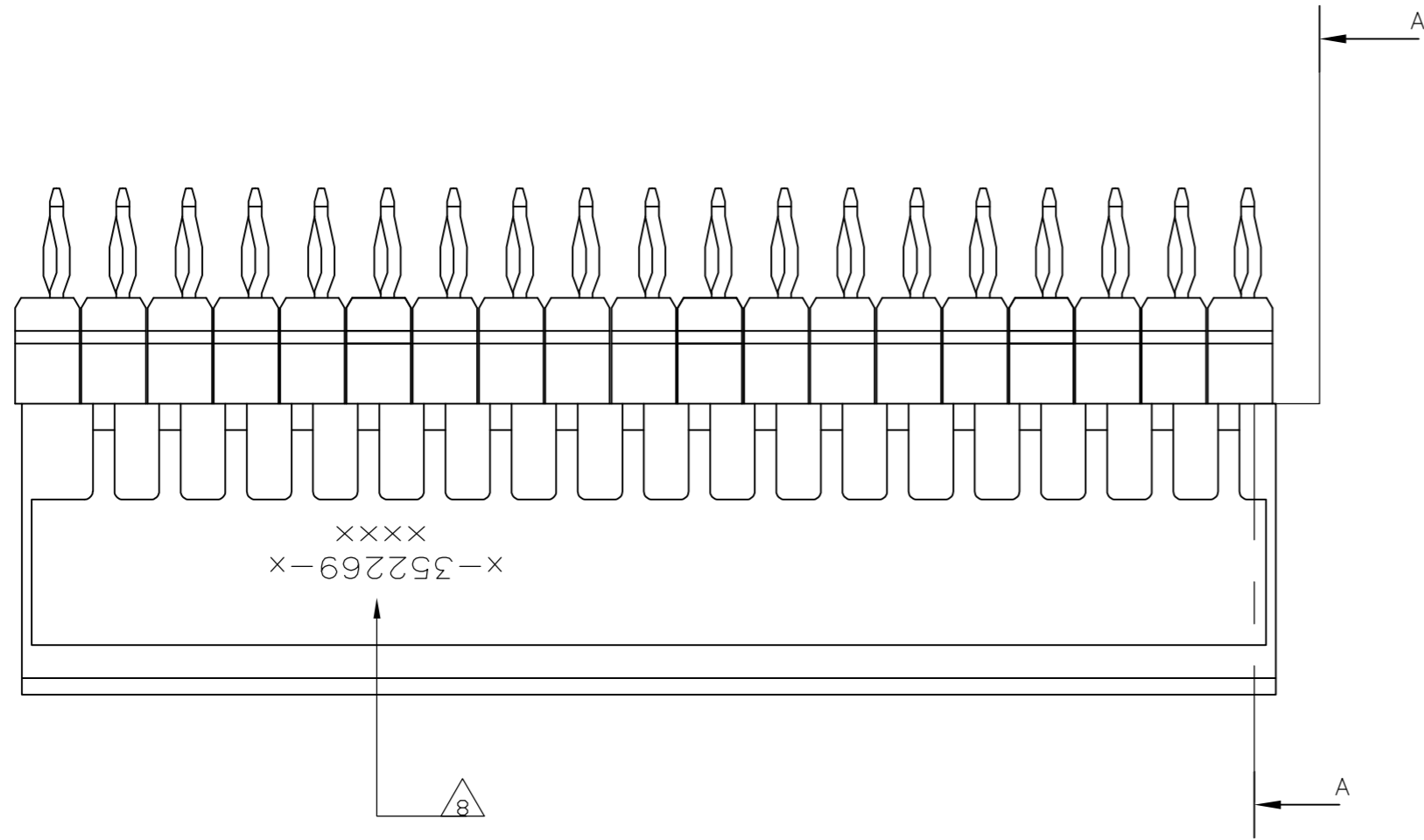
Email & Skype: info@chipsmall.com Web: www.chipsmall.com

Address: A1208, Overseas Decoration Building, #122 Zhenhua RD., Futian, Shenzhen, China



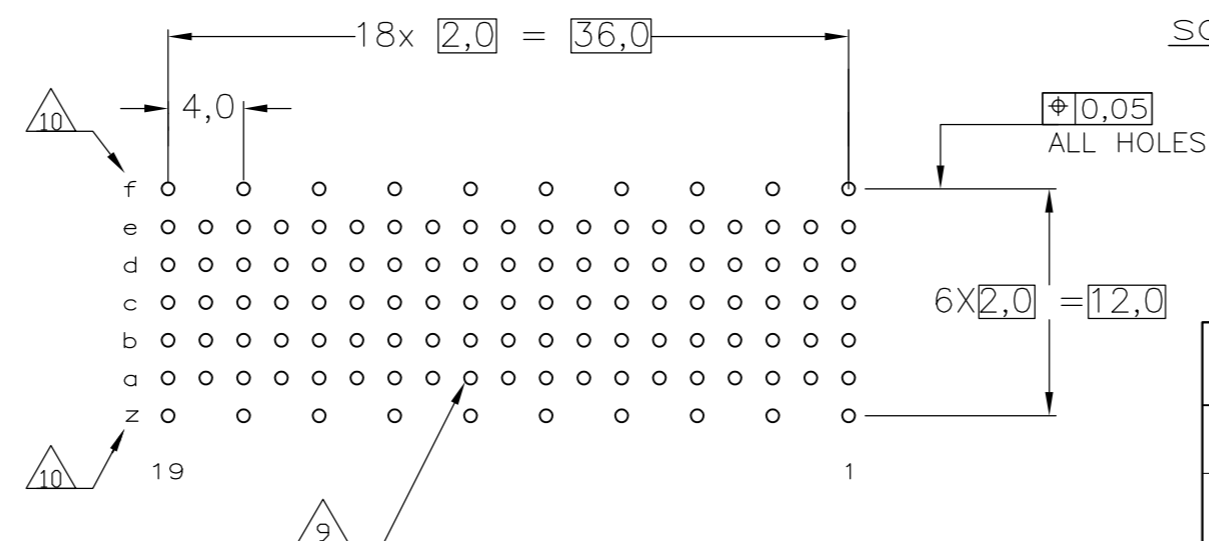
THIS DRAWING IS UNPUBLISHED. RELEASED FOR PUBLICATION
 © COPYRIGHT - By - ALL RIGHTS RESERVED.

| LOC | | DIST | | REVISIONS | | | |
|-----|-----|--------------------------------|---------|-----------|------|--|--|
| P | LTR | DESCRIPTION | DATE | DWN | APVD | | |
| F | | RELEASED PER ECR ECR-11-009918 | 14MAY11 | RC | CW | | |
| G | | ECO-11-024491 | 13DEC11 | SY | MQW | | |



NOTES:

- ⚠ MATERIAL CONTACT: PHOSPHORBRONZE
MATERIAL HOUSING: GLASSFILLED POLYESTER
UL-RATING 94V0 (GRAY)
- ⚠ GENERAL PLATING SPECIFICATION: UNDERPLATING (ENTIRE CONTACT): 1,27µm
NICKEL MIN.AND ACTION PIN: 0,5µm TIN-LEAD MIN.
FOR PLATING OF MATING SURFACES SEE APPLICABLE SPECIFICATION REFERENCE FOR EACH DASH NUMBER.
- ⚠ CONFORMS TO ALL TESTING ACCORDING IEC 61076-4-101 PERFORMANCE LEVEL 2.
- ⚠ CONFORMS TO ALL TESTING ACCORDING IEC 61076-4-101 PERFORMANCE LEVEL 1.
- ⚠ CONNECTOR TESTED AND QUALIFIED AGAINST TELCORDIA GR-1217-CORE QUALITY LEVEL III, CENTRAL OFFICE APPLICATIONS.
- ⚠ CONNECTOR TESTED AND QUALIFIED AGAINST TELCORDIA GR-1217-CORE QUALITY LEVEL III, UNCONTROLLED ENVIRONMENT APPLICATIONS.
- ⚠ CONNECTOR LUBRICATED WITH TELCORDIA APPROVED LUBRICANT.
- ⚠ CONNECTOR PRINTED WITH PARTNUMBER AND DATECODE.
- ⚠ PLATED-THROUGH HOLES AT 2x2mm SQUARE GRID (95 HOLES).
- ⚠ HOLES IN ROW f AND z FOR POSSIBLE FUTURE USE OF GROUND RETURN SHIELD. (SHIELDS NOT YET TOOLED)
- ⚠ OBSOLETE PARTS: OBSOLETE CIS STREAMLINING PER D.RENAUD/D.SINISI



SCALE 2,5:1

| OBsolete | FINISH | MATERIAL | PARTNUMBER |
|----------|--------|----------|------------|
| ⚠ | ⚠ | ⚠ | 1-352269-9 |
| ⚠ | ⚠ | ⚠ | 352269-9 |
| ⚠ | ⚠ | ⚠ | 352269-4 |
| ⚠ | ⚠ | ⚠ | 352269-1 |

| | | | | |
|---|--|----------------------------|---|----------------------|
| THIS DRAWING IS A CONTROLLED DOCUMENT. | | DWN L.V.D.HEIJDEN 30JUL97 | | |
| DIMENSIONS: mm | | CHK D.TRUREN 30JUL97 | | |
| TOLERANCES UNLESS OTHERWISE SPECIFIED: | | APVD F.V.KONINGSBRUGGE | NAME | |
| 0-PLC ± = 1-PLC ± = ±0.2 2-PLC ± = ±0.2 3-PLC ± = ±0.2 4-PLC ± = ±0.2 ANGLES ± = ± | | PRODUCT SPEC 108-19082 | Z-PACK 2MM HM TYPE B | |
| MATERIAL | | APPLICATION SPEC 114-19029 | 95 POS. 19 COLUMNS VERTICAL FEMALE CONNECTOR ASSEMBLY | |
| FINISH | | WEIGHT | SIZE A2 | RESTRICTED TO |
| | | CUSTOMER DRAWING | CAGE CODE 00779 | DRAWING NO. C=352269 |
| | | | SCALE NTS | SHEET 1 of 1 |
| | | | | REV G |