



Chipsmall Limited consists of a professional team with an average of over 10 year of expertise in the distribution of electronic components. Based in Hongkong, we have already established firm and mutual-benefit business relationships with customers from,Europe,America and south Asia,supplying obsolete and hard-to-find components to meet their specific needs.

With the principle of “Quality Parts,Customers Priority,Honest Operation,and Considerate Service”,our business mainly focus on the distribution of electronic components. Line cards we deal with include Microchip,ALPS,ROHM,Xilinx,Pulse,ON,Everlight and Freescale. Main products comprise IC,Modules,Potentiometer,IC Socket,Relay,Connector.Our parts cover such applications as commercial,industrial, and automotives areas.

We are looking forward to setting up business relationship with you and hope to provide you with the best service and solution. Let us make a better world for our industry!



Contact us

Tel: +86-755-8981 8866 Fax: +86-755-8427 6832

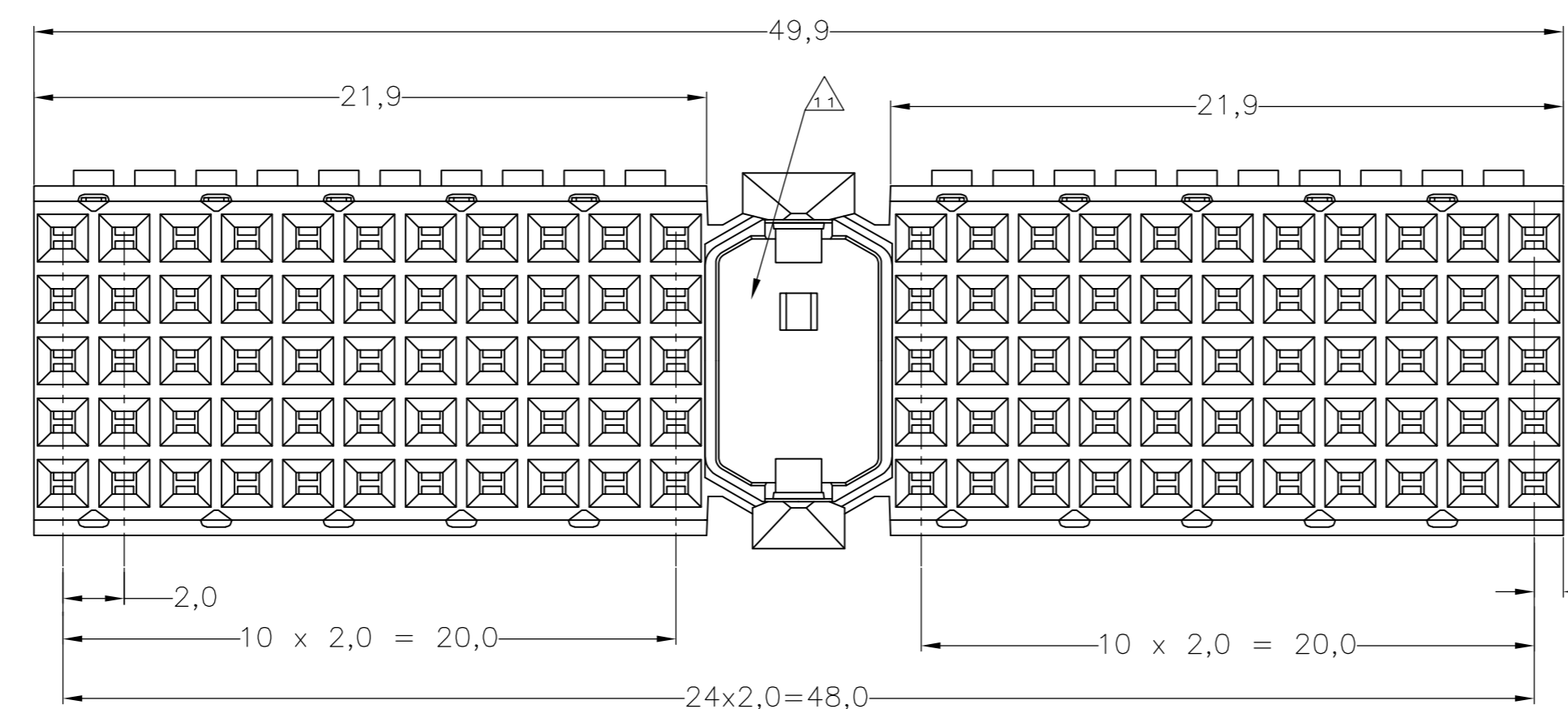
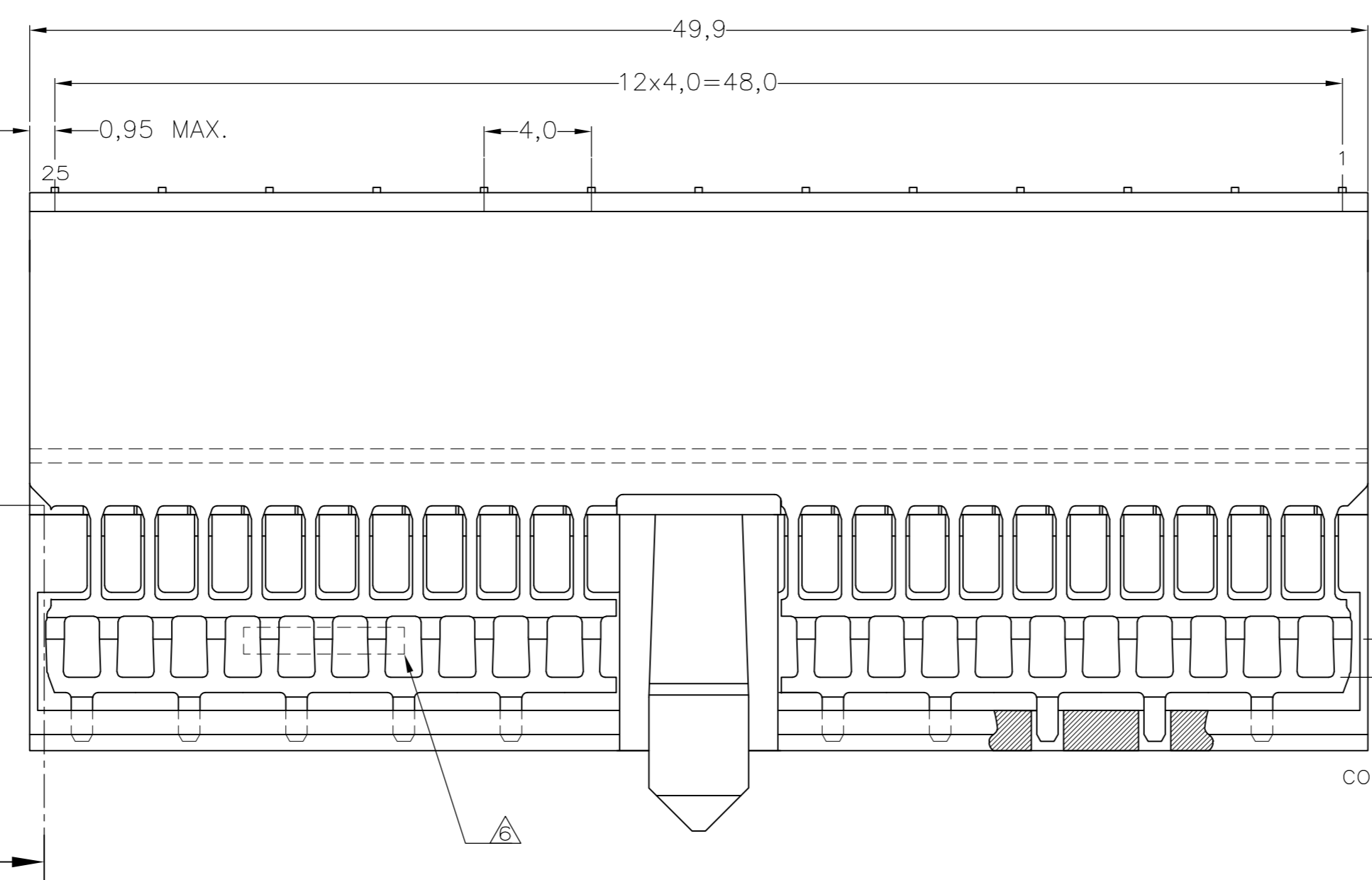
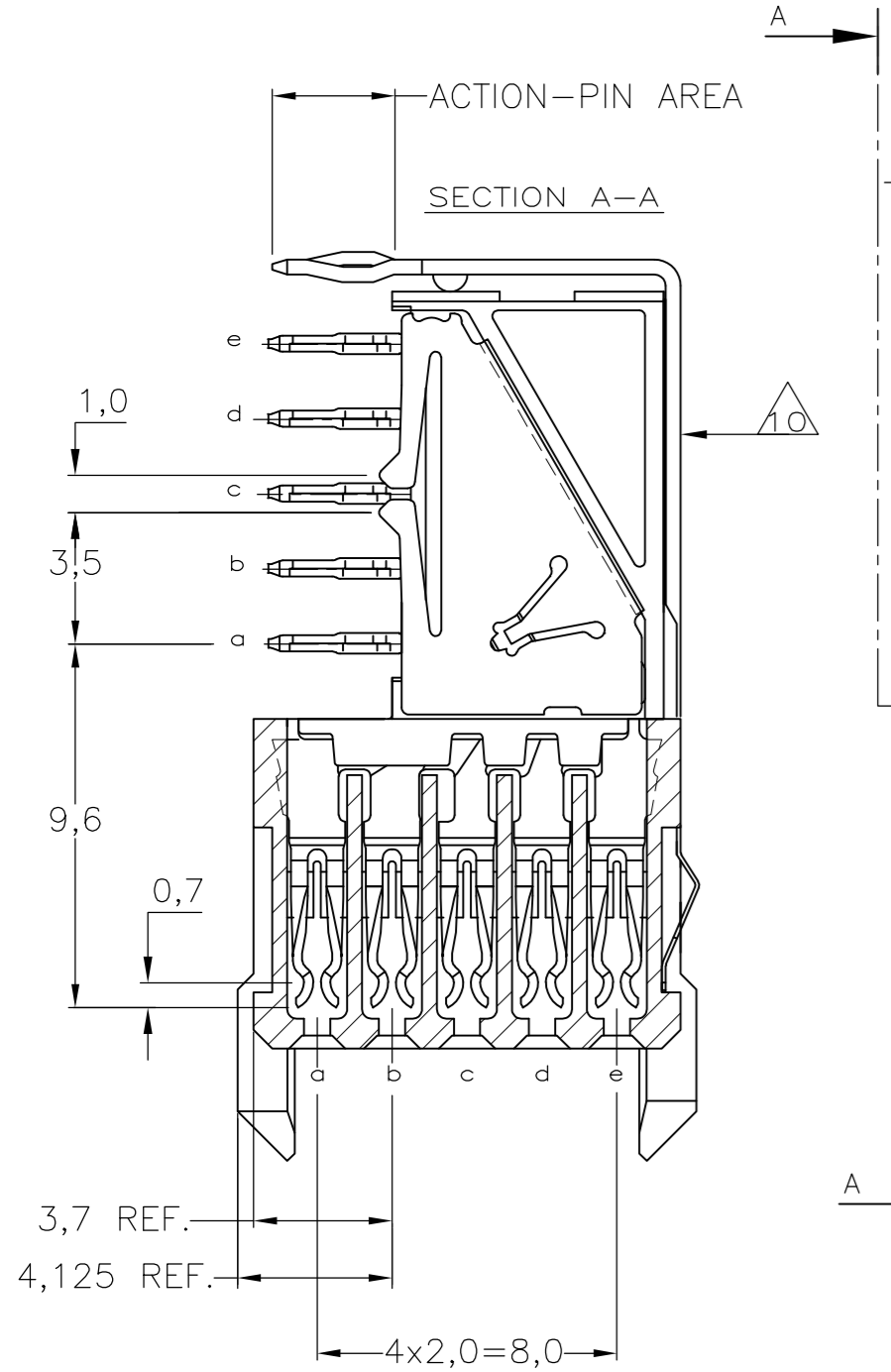
Email & Skype: info@chipsmall.com Web: www.chipsmall.com

Address: A1208, Overseas Decoration Building, #122 Zhenhua RD., Futian, Shenzhen, China

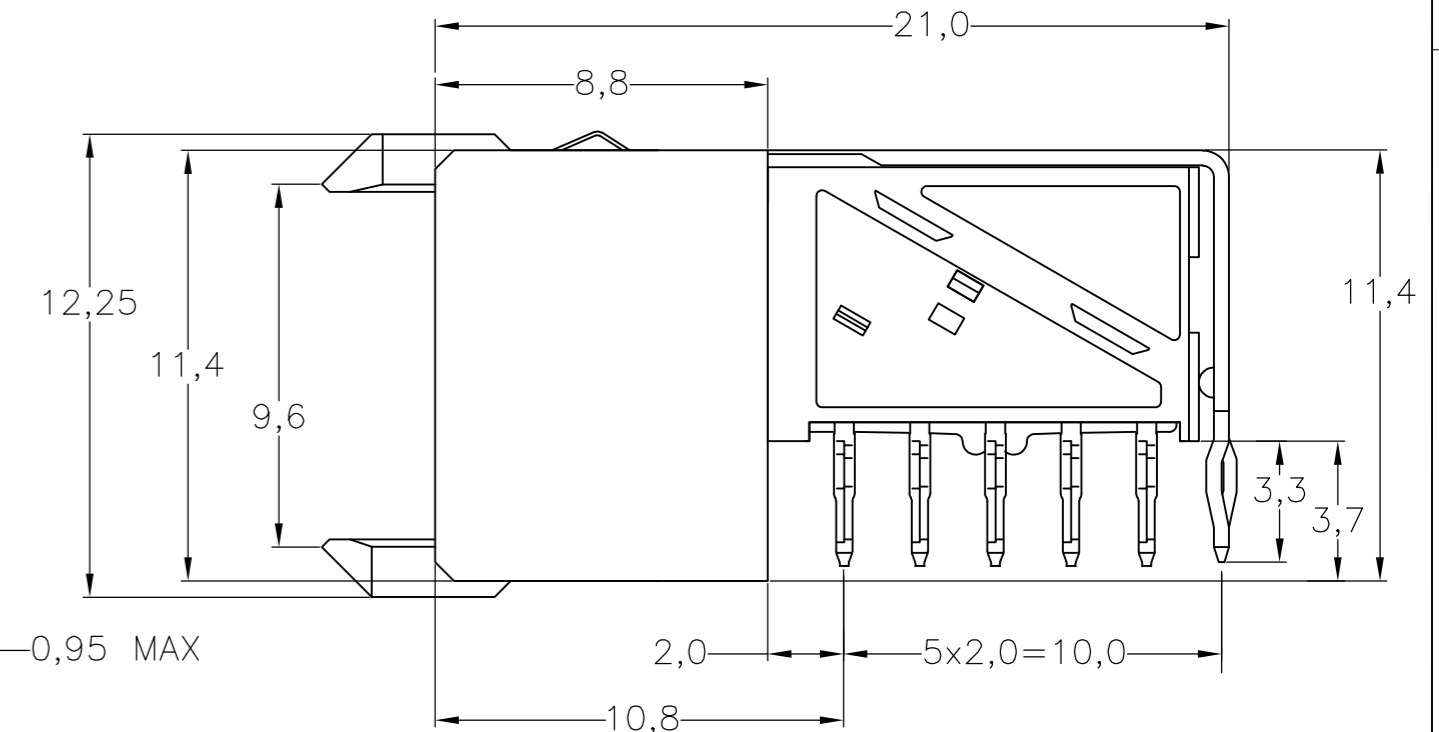


THIS DRAWING IS UNPUBLISHED. RELEASED FOR PUBLICATION
 © COPYRIGHT BY TYCO ELECTRONICS CORPORATION. ALL RIGHTS RESERVED.

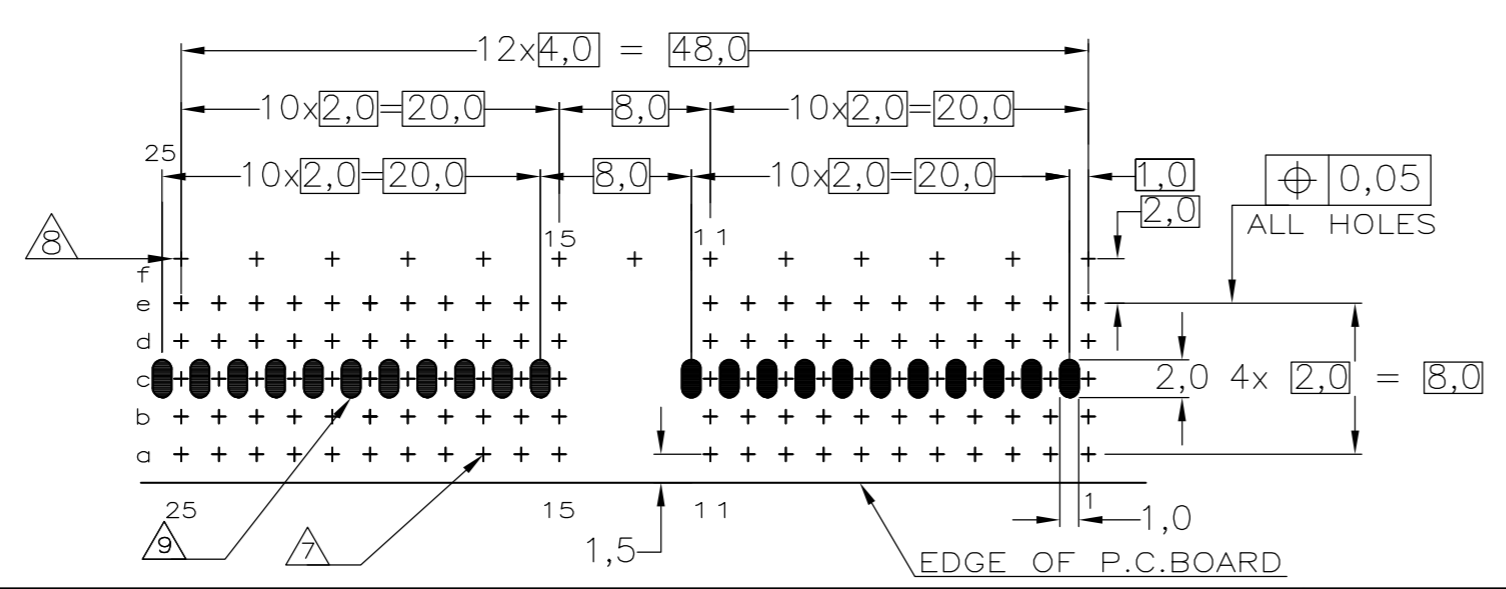
LOC	DIST	REVISIONS					
		P	LTR	DESCRIPTION	DATE	DWN	APVD
H	-	G2		ECR-07-030919	21DEC2007	JvH	BM
		H		ECR-10-018652	10SEP10	SW	MQW



- NOTES:**
- ⚠ MATERIAL CONTACTS; PHOSPHORBRONZE
MATERIAL SHIELDS ; PHOSPHORBRONZE
MATERIAL HOUSING; GLASSFILLED POLYESTER (GRAY)
 - ⚠ GENERAL CONTACT PLATING SPECIFICATION: UNDERPLATING (ENTIRE CONTACT): 1,27µm NICKEL MIN. AND ACTION PIN: 0,5µm TIN-LEAD MIN. FOR PLATING OF MATING SURFACES SEE APPLICABLE SPECIFICATION REFERENCE FOR EACH DASH NUMBER.
 - ⚠ CONFORMS TO ALL TESTING ACCORDING IEC 61076-4-101 PERFORMANCE LEVEL 2.
 - ⚠ CONFORMS TO ALL TESTING ACCORDING IEC 61076-4-101 PERFORMANCE LEVEL 1.
 - ⚠ PLATING SHIELDS :
GROUND RETURN SHIELD:
CONTACT AREA: 0,76µm Au MIN.
ACTION PIN : 0,5µm SnPb MIN.
REMAINDER : Ni 5µm SnPb MIN.
REDUCED CROSS-TALK SHIELD: GOLD FLASH OVER 1,27 µm NICKEL MIN.
 - ⚠ ASS. PRINTED WITH P/N AND DATECODE
THE MARKING CAN APPEAR ON THE FRONT SIDE OR ON THE BACK SIDE.
 - ⚠ HOLE PATTERN FOR FEMALE CONNECTOR TYPE A,
 - ⚠ ROW "f" 13 PLATED THROUGH HOLES FOR UPERSHIELD
 - ⚠ PLATED SPOT ONLY ON COMPONENT SIDE, FORMING ONE CONTACT WITH PLATED THROUGH HOLES OF ROW C
 - ⚠ SHIELD MOUNTED ON CONNECTOR WITH DOUBLE SIDED ADHESIVE TAPE OR ADHESIVE
 - ⚠ AREA RESERVED FOR KEYING PART (BASIC P.N. 100526)
 - 12 BASIC P.N. LOWERSHIELD:338108



RECOMMENDED P.C.B. HOLE LAY-OUT SCALE 2,5:1
 COMPONENT SIDE AS SHOWN



P.C.B. HOLE DIM. ACTION PIN
 FOR DETAILS SEE
 APPLICATION SPECIFICATION

THIS DRAWING IS A CONTROLLED DOCUMENT.		DWN 25FEB98 R.V.HEUVEN	Tyco Electronics Corporation s-HertogenBosch, Netherlands,	
DIMENSIONS: mm		CHK 25FEB98 W. V.D. HEIJDEN	NAME Z-PACK 2MM HM TYPE A PRE-SHIELDED RECEPTACLE WITH RED.CROSS-TALK SHIELDS	
TOLERANCES UNLESS OTHERWISE SPECIFIED: ±0.2		APVD 23NOV99 F.v. KONINGSBRUGGE.	APPLICATION SPEC 108-19082	RESTRICTED TO
MATERIAL		PRODUCT SPEC 114-19029	WEIGHT	SCALE NTS
FINISH		WEIGHT	CAGE CODE A2 00779	SHEET 1 OF 1
MATERIAL		FINISH	DRAWING NO C=352344	REV H
MATERIAL		FINISH	CUSTOMER DRAWING	