



Chipsmall Limited consists of a professional team with an average of over 10 year of expertise in the distribution of electronic components. Based in Hongkong, we have already established firm and mutual-benefit business relationships with customers from,Europe,America and south Asia,supplying obsolete and hard-to-find components to meet their specific needs.

With the principle of “Quality Parts,Customers Priority,Honest Operation,and Considerate Service”,our business mainly focus on the distribution of electronic components. Line cards we deal with include Microchip,ALPS,ROHM,Xilinx,Pulse,ON,Everlight and Freescale. Main products comprise IC,Modules,Potentiometer,IC Socket,Relay,Connector.Our parts cover such applications as commercial,industrial, and automotives areas.

We are looking forward to setting up business relationship with you and hope to provide you with the best service and solution. Let us make a better world for our industry!



Contact us

Tel: +86-755-8981 8866 Fax: +86-755-8427 6832

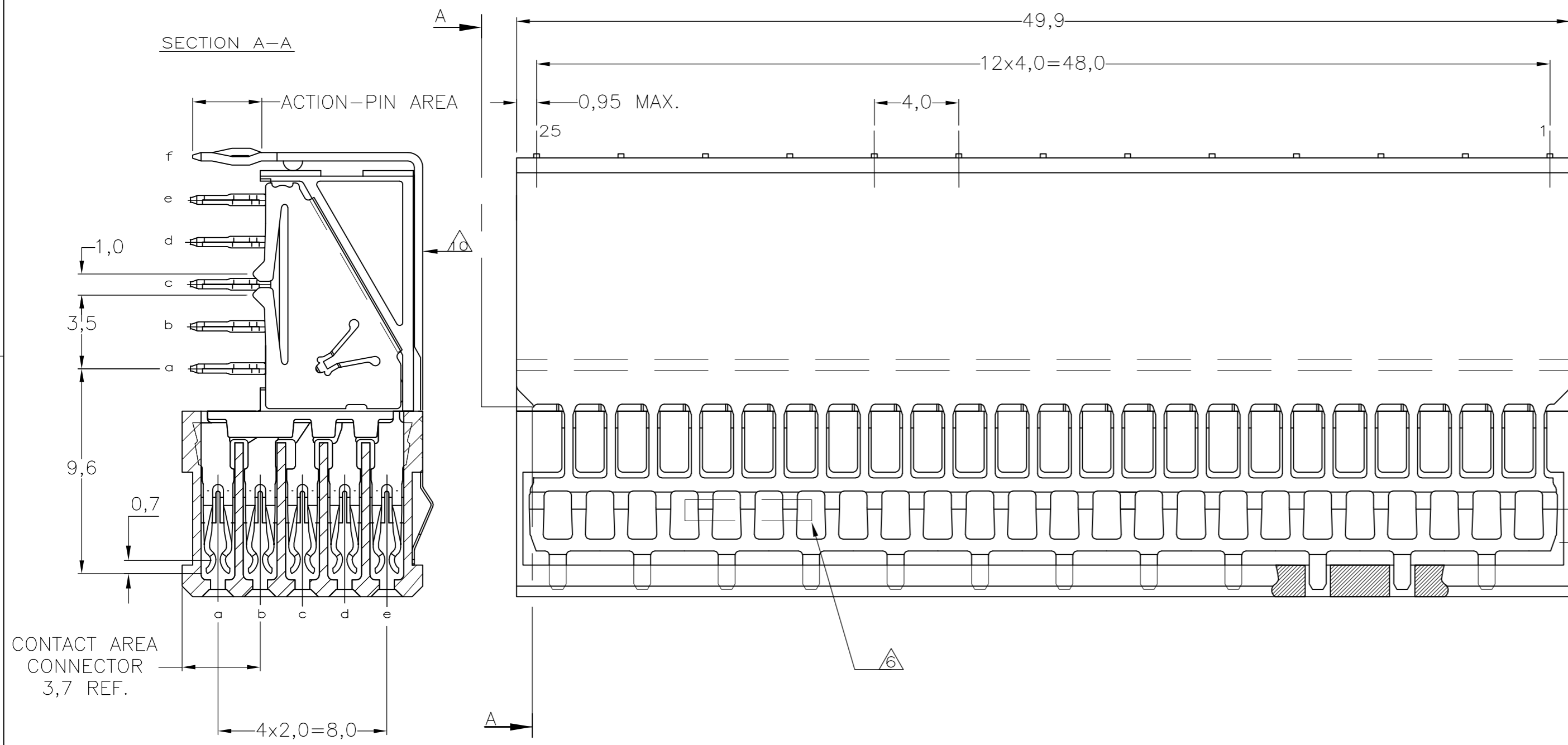
Email & Skype: info@chipsmall.com Web: www.chipsmall.com

Address: A1208, Overseas Decoration Building, #122 Zhenhua RD., Futian, Shenzhen, China

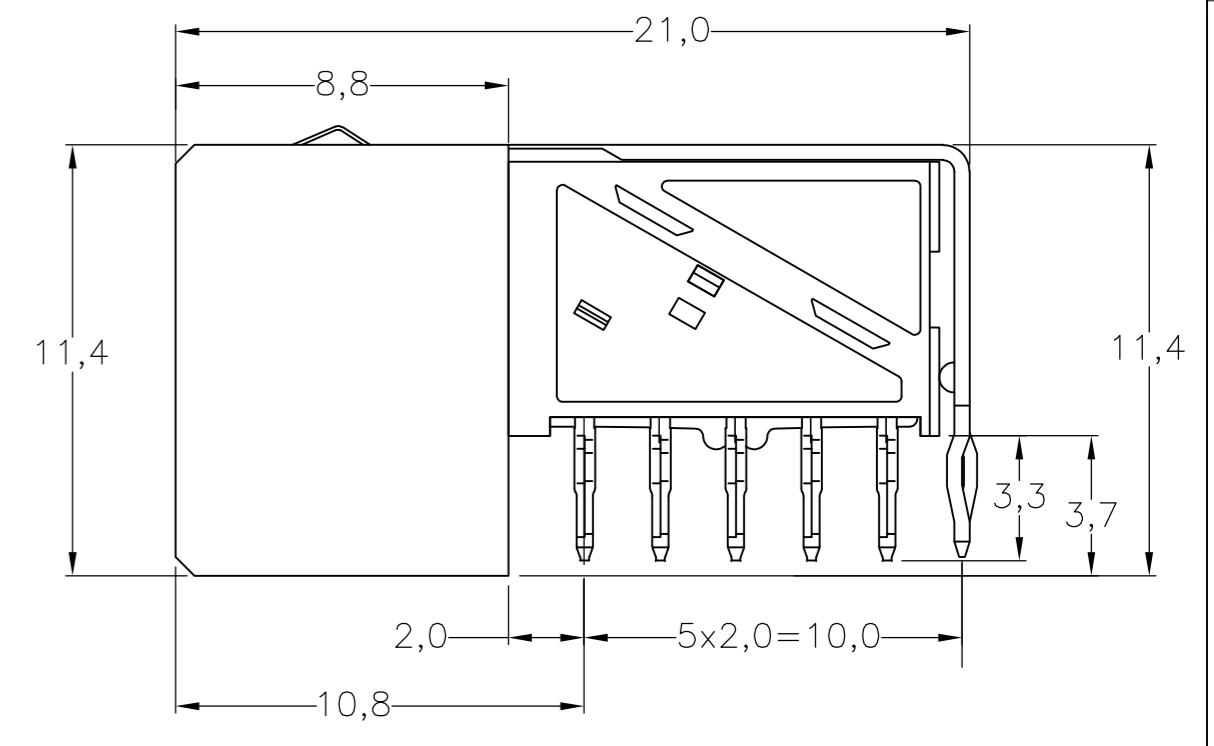
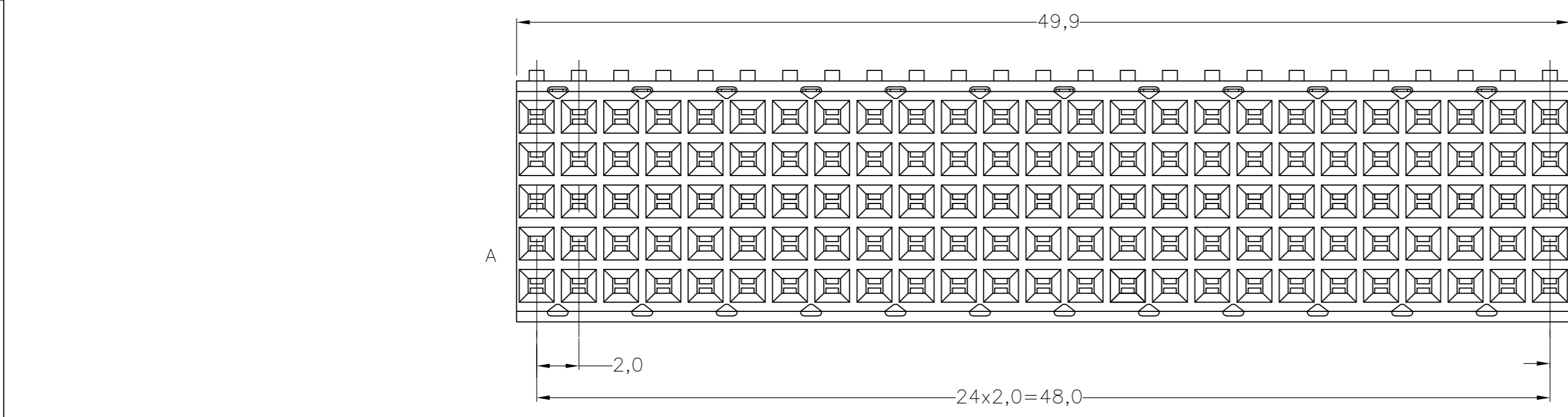


THIS DRAWING IS UNPUBLISHED. RELEASED FOR PUBLICATION
 © COPYRIGHT BY TYCO ELECTRONICS CORPORATION. ALL RIGHTS RESERVED.

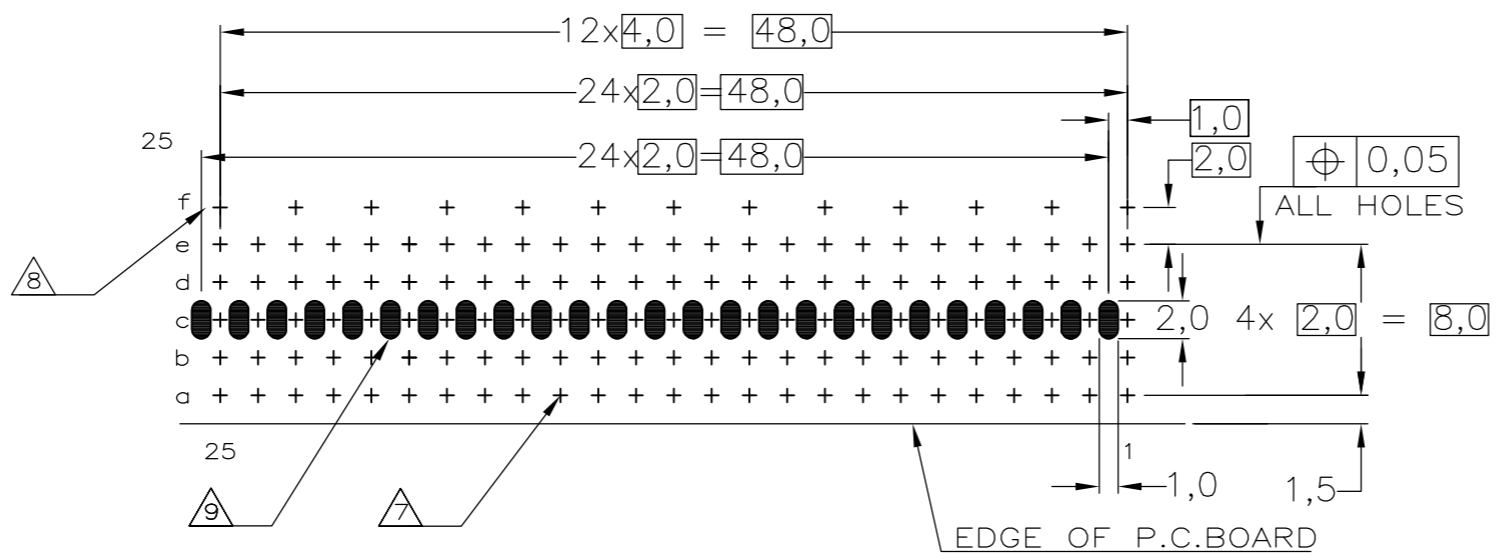
LOC	DIST	REVISIONS					
		P	LTR	DESCRIPTION	DATE	DWN	APVD
H	-	G1		ECR-07-030919	21DEC2007	JvH	BM
		H		ECR-10-018652	10SEP10	SW	MQW



- NOTES:
- ⚠ MATERIAL CONTACTS; PHOSPHORBRONZE
MATERIAL SHIELDS ; PHOSPHORBRONZE
MATERIAL HOUSING; GLASSFILLED POLYESTER (GRAY)
 - ⚠ GENERAL CONTACT PLATING SPECIFICATION: UNDERPLATING
(ENTIRE CONTACT): 1,27µm NICKEL MIN. AND ACTION
PIN: 0,5µm TIN-LEAD MIN.
FOR PLATING OF MATING SURFACES SEE APPLICABLE SPECIFICATION
REFERENCE FOR EACH DASH NUMBER.
 - ⚠ CONFORMS TO ALL TESTING ACCORDING IEC 61076-4-101
PERFORMANCE LEVEL 2.
 - ⚠ CONFORMS TO ALL TESTING ACCORDING IEC 61076-4-101
PERFORMANCE LEVEL 1.
 - ⚠ PLATING SHIELDS :
GROUND RETURN SHIELD:
CONTACT AREA: 0,76µm Au MIN.
ACTION PIN : 0,5µm SnPb MIN.
REMAINDER : Ni
 - ⚠ REDUCED CROSS-TALK SHIELD: GOLD FLASH OVER 1,27 µm
NICKEL MIN.
 - ⚠ ASSEMBLY PRINTED WITH P/N AND DATECODE
THE MARKING CAN APPEAR
ON THE FRONT SIDE OR ON THE BACK SIDE.
 - ⚠ HOLE PATTERN FOR FEMALE CONNECTOR TYPE B,
125 PLATED-THROUGH HOLES AT 2x2mm SQUARE GRID
 - ⚠ ROW "f" 13 PLATED THROUGH HOLES FOR UPERSHIELD
 - ⚠ PLATED SPOT ONLY ON COMPONENT SIDE, FORMING ONE
CONTACT WITH PLATED THROUGH HOLES OF ROW C
 - ⚠ SHIELD MOUNTED ON CONNECTOR WITH DOUBLE SIDED
ADHESIVE TAPE OR ADHESIVE
 - 11 BASIC P.N. LOWERSHIELD:338110



RECOMMENDED P.C.B. HOLE LAY-OUT
 COMPONENT SIDE AS SHOWN SCALE 2,5:1



THIS DRAWING IS A CONTROLLED DOCUMENT.		DWN R.v.Heuven 25FEB98	Tyco Electronics Corporation 's-Hertogenbosch, Nederland	
DIMENSIONS: mm		CHK W. V.D. HEIJDEN 25FEB98	Tyco Electronics	
TOLERANCES UNLESS OTHERWISE SPECIFIED:		APVD F.v KONINGSBRUGGE 23NOV99	NAME -	
0-PLC ±		PRODUCT SPEC	TYPE B PRE-SHIELDED RECEPTACLE WITH RED.CROSS-TALK SHIELDS	
1-PLC ±		APPLICATION SPEC	108-19082	
2-PLC ±		WEIGHT	114-19029	
3-PLC ±		CUSTOMER DRAWING	SCALE NTS SHEET 1 OF 1 REV H	
4-PLC ±			SIZE A2 CAGE CODE 00779 DRAWING NO C=352345 RESTRICTED TO -	
ANGLES ±				
FINISH				