



Chipsmall Limited consists of a professional team with an average of over 10 year of expertise in the distribution of electronic components. Based in Hongkong, we have already established firm and mutual-benefit business relationships with customers from,Europe,America and south Asia,supplying obsolete and hard-to-find components to meet their specific needs.

With the principle of “Quality Parts,Customers Priority,Honest Operation,and Considerate Service”,our business mainly focus on the distribution of electronic components. Line cards we deal with include Microchip,ALPS,ROHM,Xilinx,Pulse,ON,Everlight and Freescale. Main products comprise IC,Modules,Potentiometer,IC Socket,Relay,Connector.Our parts cover such applications as commercial,industrial, and automotives areas.

We are looking forward to setting up business relationship with you and hope to provide you with the best service and solution. Let us make a better world for our industry!



## Contact us

Tel: +86-755-8981 8866 Fax: +86-755-8427 6832

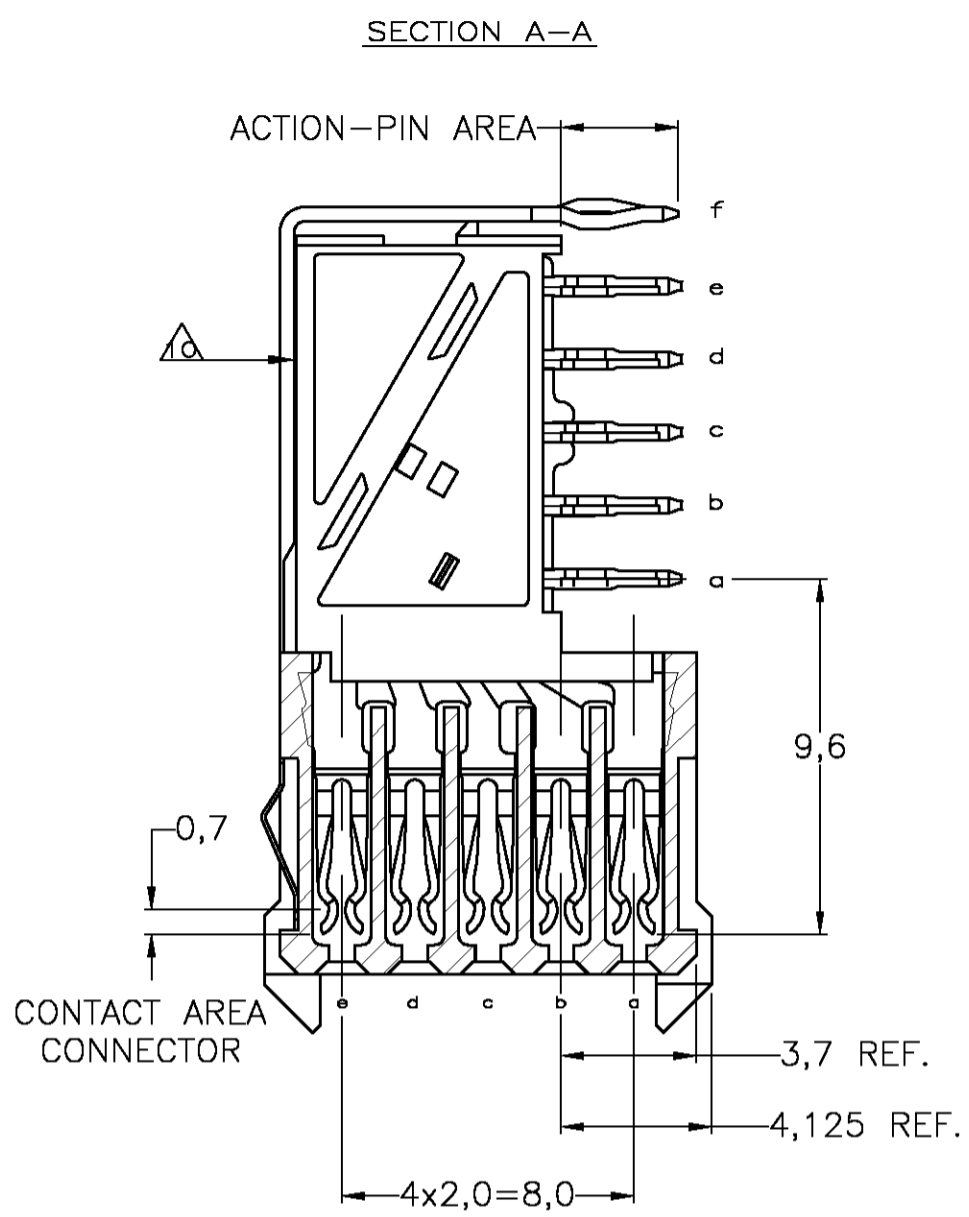
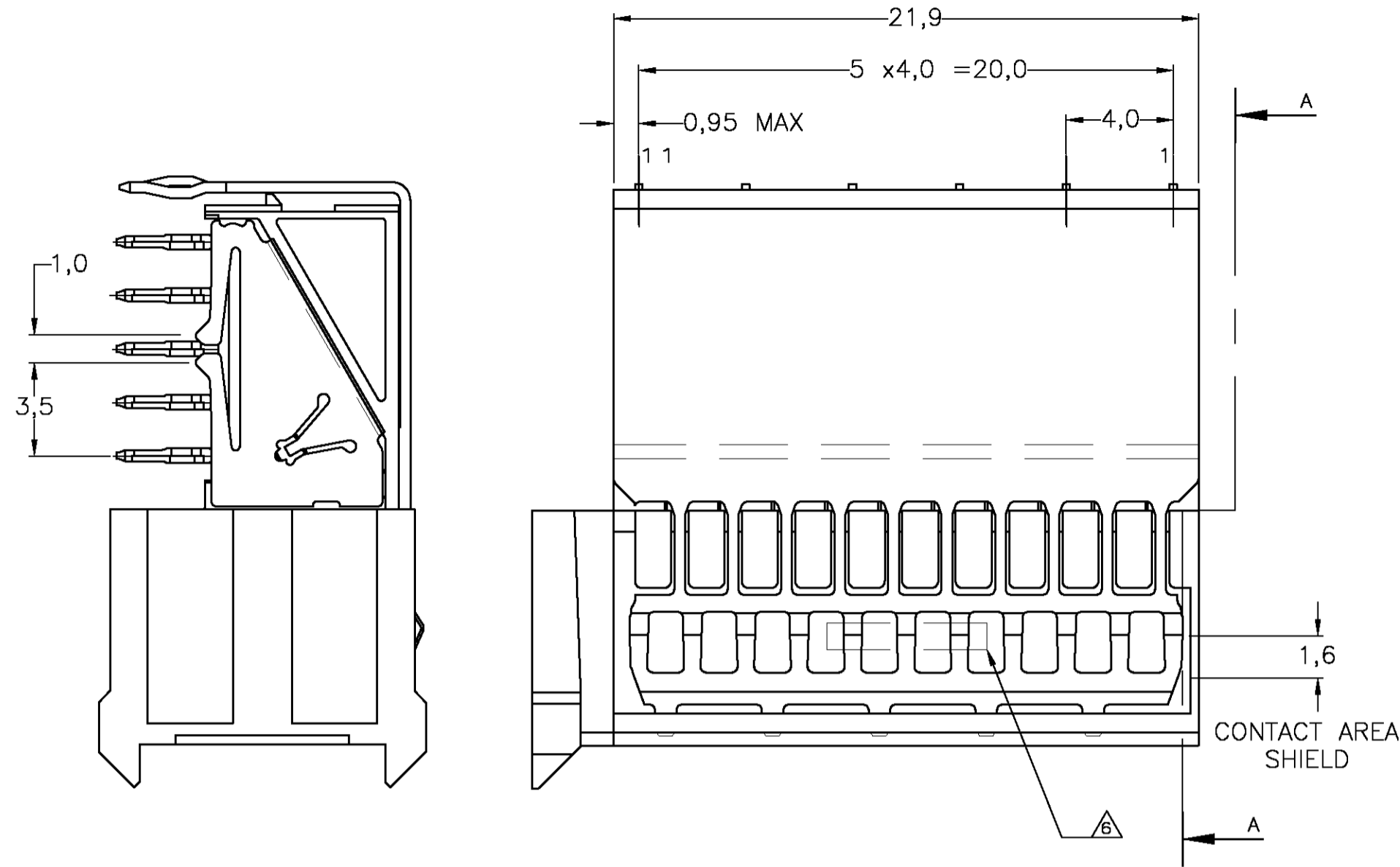
Email & Skype: info@chipsmall.com Web: www.chipsmall.com

Address: A1208, Overseas Decoration Building, #122 Zhenhua RD., Futian, Shenzhen, China

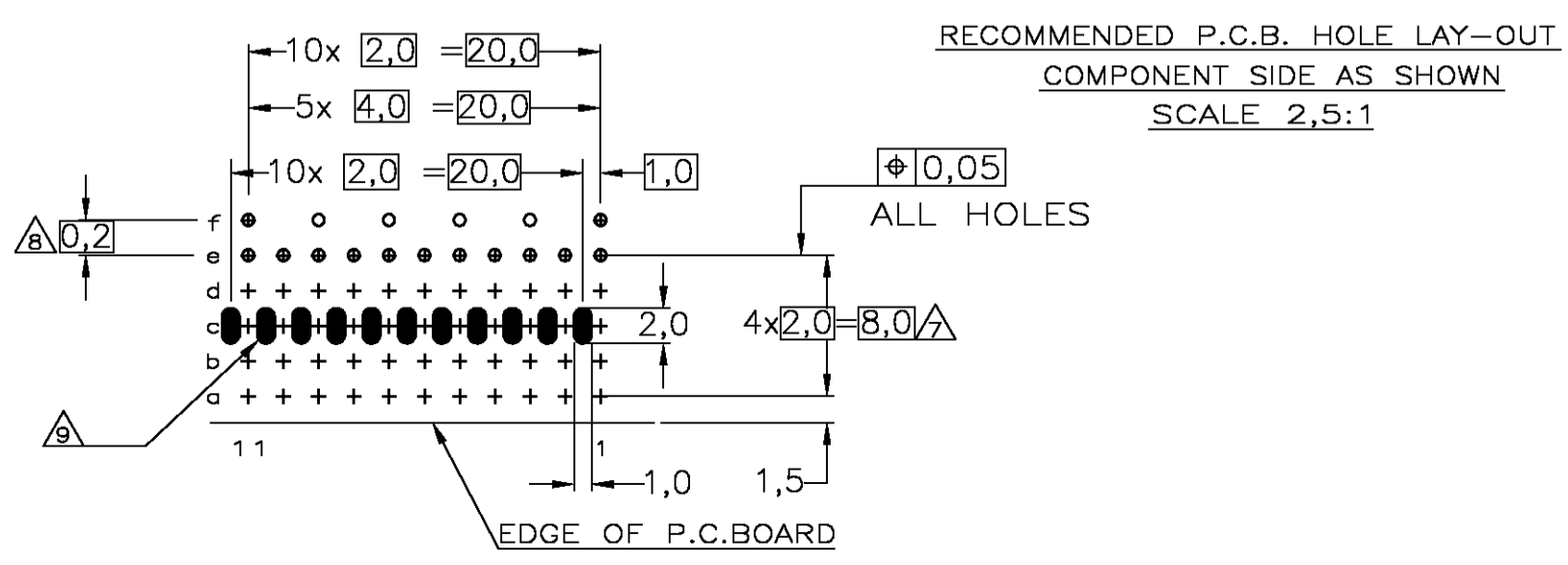
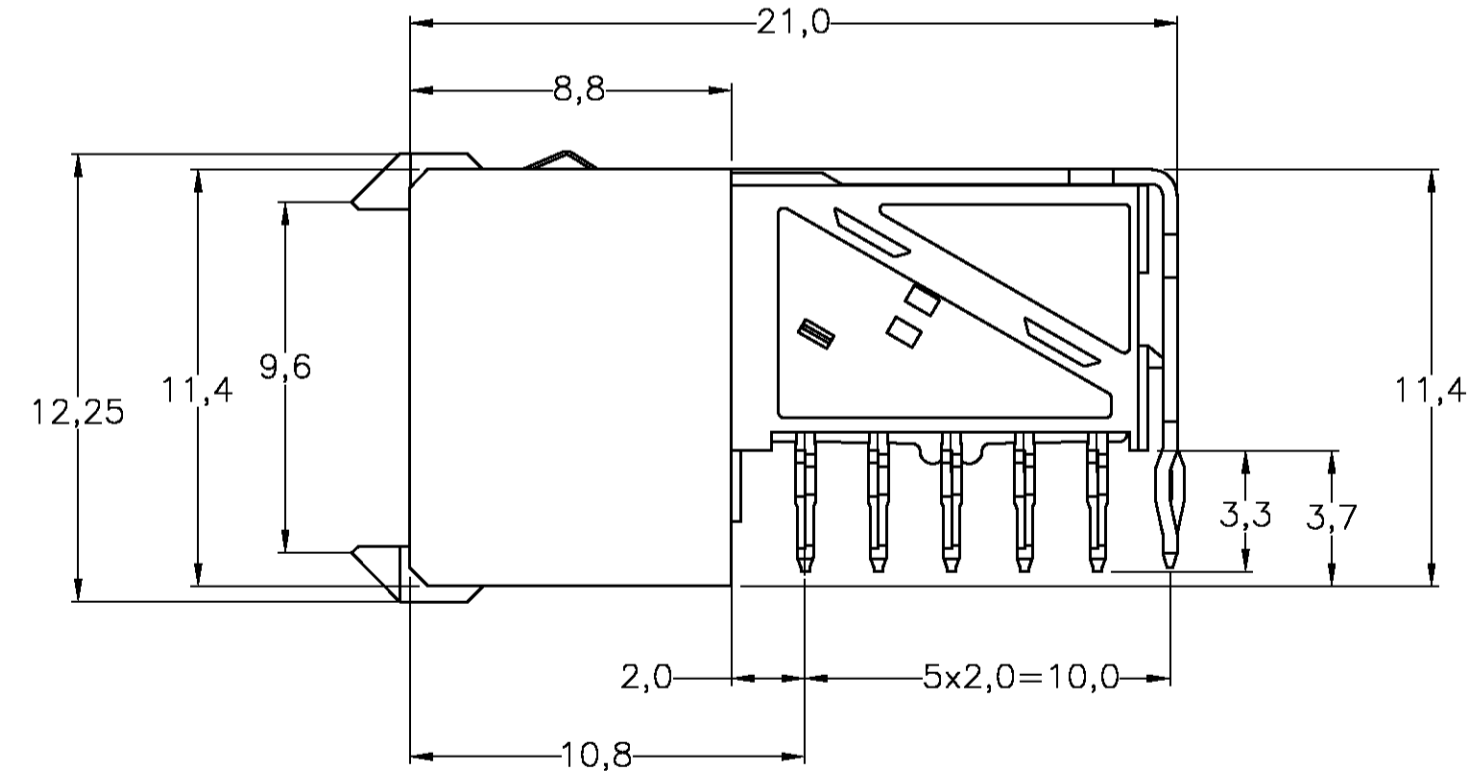
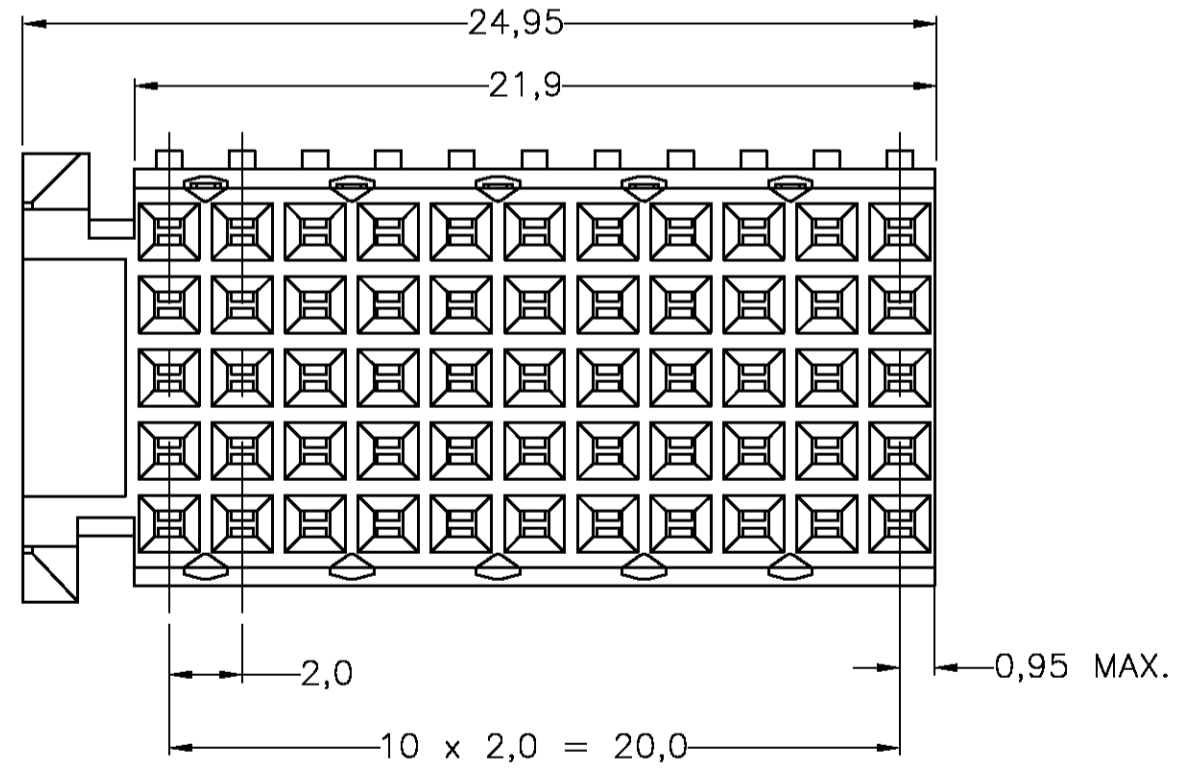


THIS DRAWING IS UNPUBLISHED. RELEASED FOR PUBLICATION  
 © COPYRIGHT BY TYCO ELECTRONICS CORPORATION. ALL RIGHTS RESERVED.

| LOC | DIST | REVISIONS |     |               |           |     |      |
|-----|------|-----------|-----|---------------|-----------|-----|------|
|     |      | P         | LTR | DESCRIPTION   | DATE      | DWN | APVD |
| H   | -    | E2        |     | ECR-07-030919 | 21DEC2007 | JvH | BM   |



- NOTES:**
- 1 MATERIAL CONTACTS; PHOSPHORBRONZE  
MATERIAL SHIELDS ; PHOSPHORBRONZE  
MATERIAL HOUSING; GLASSFILLED POLYESTER (GRAY)
  - 2 GENERAL CONTACT PLATING SPECIFICATION:  
UNDERPLATING (ENTIRE CONTACT): 1,27µm NICKEL MIN.  
AND ACTION PIN: 0,5µm TIN-LEAD MIN. FOR PLATING OF MATING  
SURFACES SEE APPLICABLE SPECIFICATION REFERENCE FOR  
EACH DASH NUMBER.
  - 3 CONFORMS TO ALL TESTING ACCORDING IEC 61076-4-101  
PERFORMANCE LEVEL 2.
  - 4 CONFORMS TO ALL TESTING ACCORDING IEC 61076-4-101  
PERFORMANCE LEVEL 1.
  - 5 PLATING SHIELDS:  
GROUND RETURN SHIELD :  
CONTACT AREA: 0,76µm Au MIN.  
ACTION PIN : 0,5µm SnPb MIN.  
REMAINDER :Ni  
REDUCED CROSS-TALK SHIELD: GOLD FLASH OVER 1,27 µm NICKEL MIN.
  - 6 ASSEMBLY PRINTED WITH P/N AND DATECODE  
THE MARKING CAN APPEAR ON THE FRONT SIDE OR ON THE BACK SIDE.
  - 7 HOLE PATTERN FOR FEMALE CONNECTOR TYPE C  
55 PLATED-THROUGH HOLES AT 2x2mm SQUARE GRID
  - 8 ROW "f" 6 PLATED THROUGH HOLES FOR UPSHIELD
  - 9 PLATED SPOT ONLY ON COMPONENT SIDE.  
FORMING ONE CONTACT WITH PLATED  
THROUGH HOLES OF ROW C.
  - 10 SHIELD MOUNTED ON CONNECTOR WITH DOUBLE SIDED  
ADHESIVE TAPE OR ADHESIVE
  - 11 FITS WITH LOWERSHIELD, BASIC PARTNUMBER : 352112.



P.C.B. HOLE DIM. ACTION PIN  
 FOR DETAILS SEE  
 APPLICATION SPECIFICATION

THIS DRAWING IS A CONTROLLED DOCUMENT.

|                   |   |   |  |   |
|-------------------|---|---|--|---|
| DIMENSIONS:<br>mm | TOLERANCES UNLESS<br>OTHERWISE SPECIFIED:                                   | DWN<br>R.V.HEUVEN 25FEB98   | 25FEB98  | Tyco Electronics Corporation<br>'s-Hertogenbosch, Nederland |
|                   | 0 PLC ± -<br>1 PLC ± -<br>2 PLC ± -<br>3 PLC ± -<br>4 PLC ± -<br>ANGLES ± - | CHK<br>W. V.D. HEIJDEN 25FEB98<br>APVD<br>F.v. KONINGSBRUGGE, 23NOV99 | NAME<br>Z-PACK 2MM HM<br>TYPE C PRE-SHIELDED RECEPTACLE<br>WITH RED.CROSS-TALK SHIELDS |   |
| MATERIAL          | FINISH  | 108-19082   | 114-19029  | SIZE<br>A2  |
|                   |   | RESTRICTED CUSTOMER   | SCALE<br>NTS   | SHEET<br>1 OF 1<br>REV<br>E2                                |