



Chipsmall Limited consists of a professional team with an average of over 10 year of expertise in the distribution of electronic components. Based in Hongkong, we have already established firm and mutual-benefit business relationships with customers from,Europe,America and south Asia,supplying obsolete and hard-to-find components to meet their specific needs.

With the principle of “Quality Parts,Customers Priority,Honest Operation,and Considerate Service”,our business mainly focus on the distribution of electronic components. Line cards we deal with include Microchip,ALPS,ROHM,Xilinx,Pulse,ON,Everlight and Freescale. Main products comprise IC,Modules,Potentiometer,IC Socket,Relay,Connector.Our parts cover such applications as commercial,industrial, and automotives areas.

We are looking forward to setting up business relationship with you and hope to provide you with the best service and solution. Let us make a better world for our industry!



Contact us

Tel: +86-755-8981 8866 Fax: +86-755-8427 6832

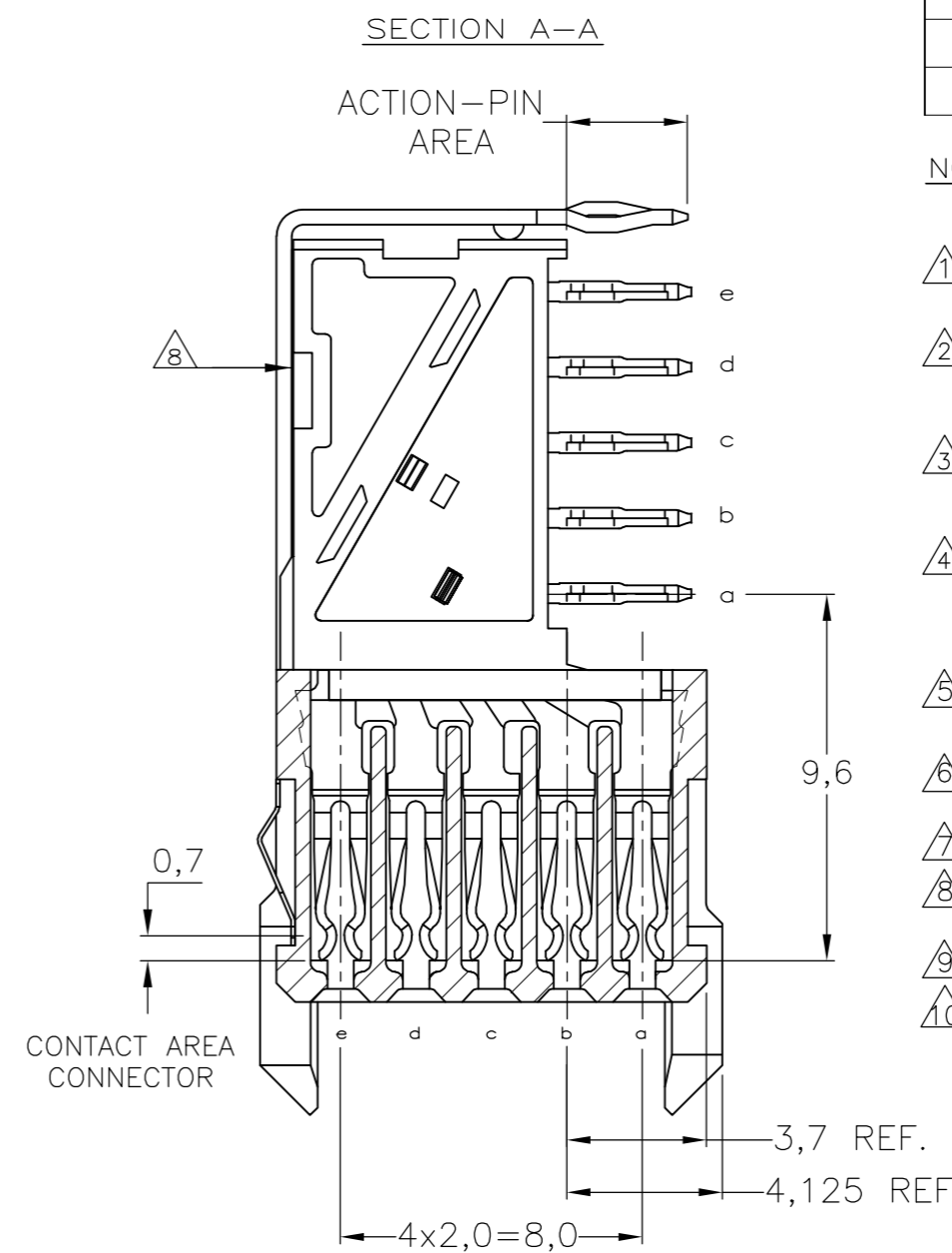
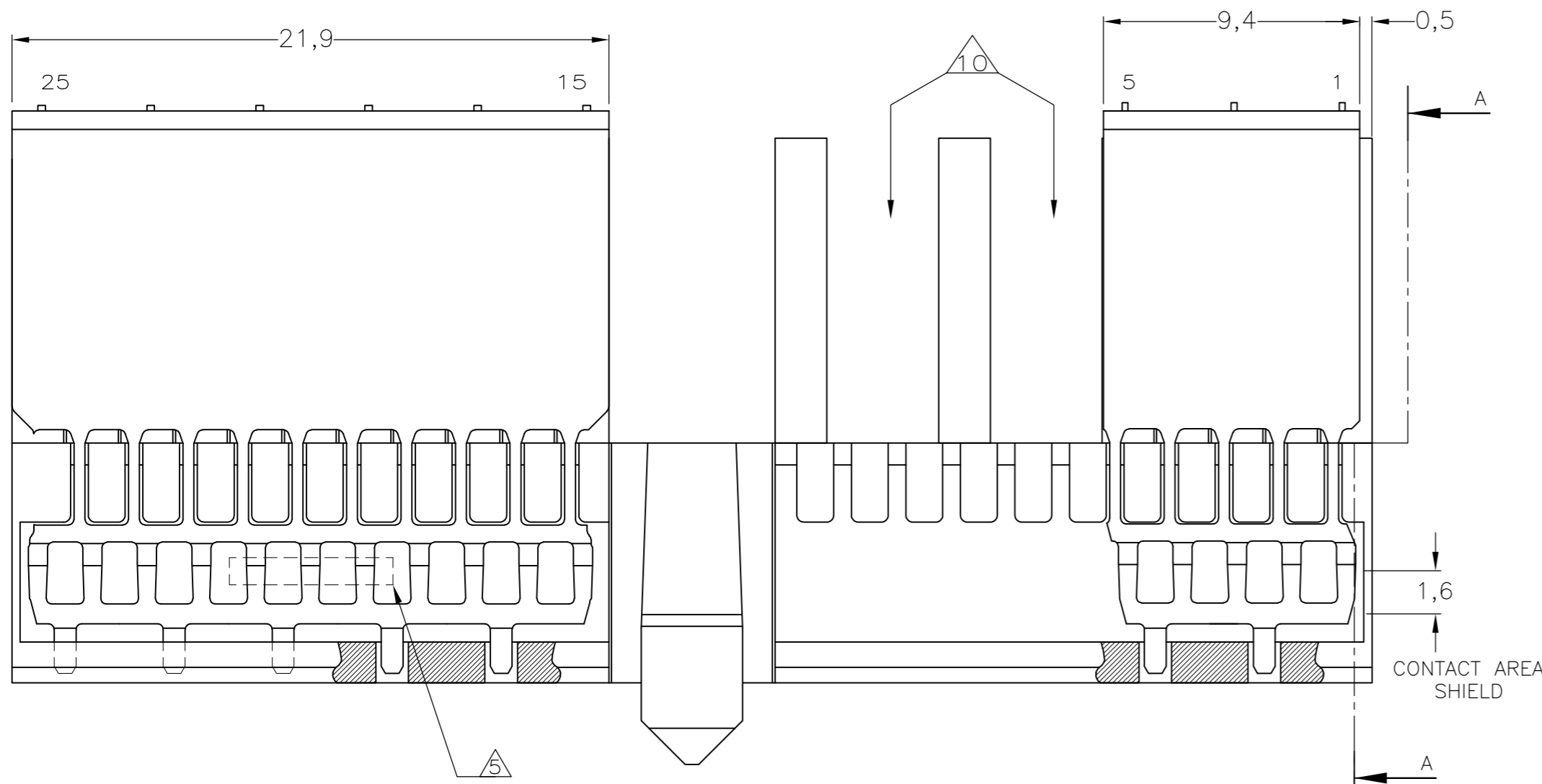
Email & Skype: info@chipsmall.com Web: www.chipsmall.com

Address: A1208, Overseas Decoration Building, #122 Zhenhua RD., Futian, Shenzhen, China

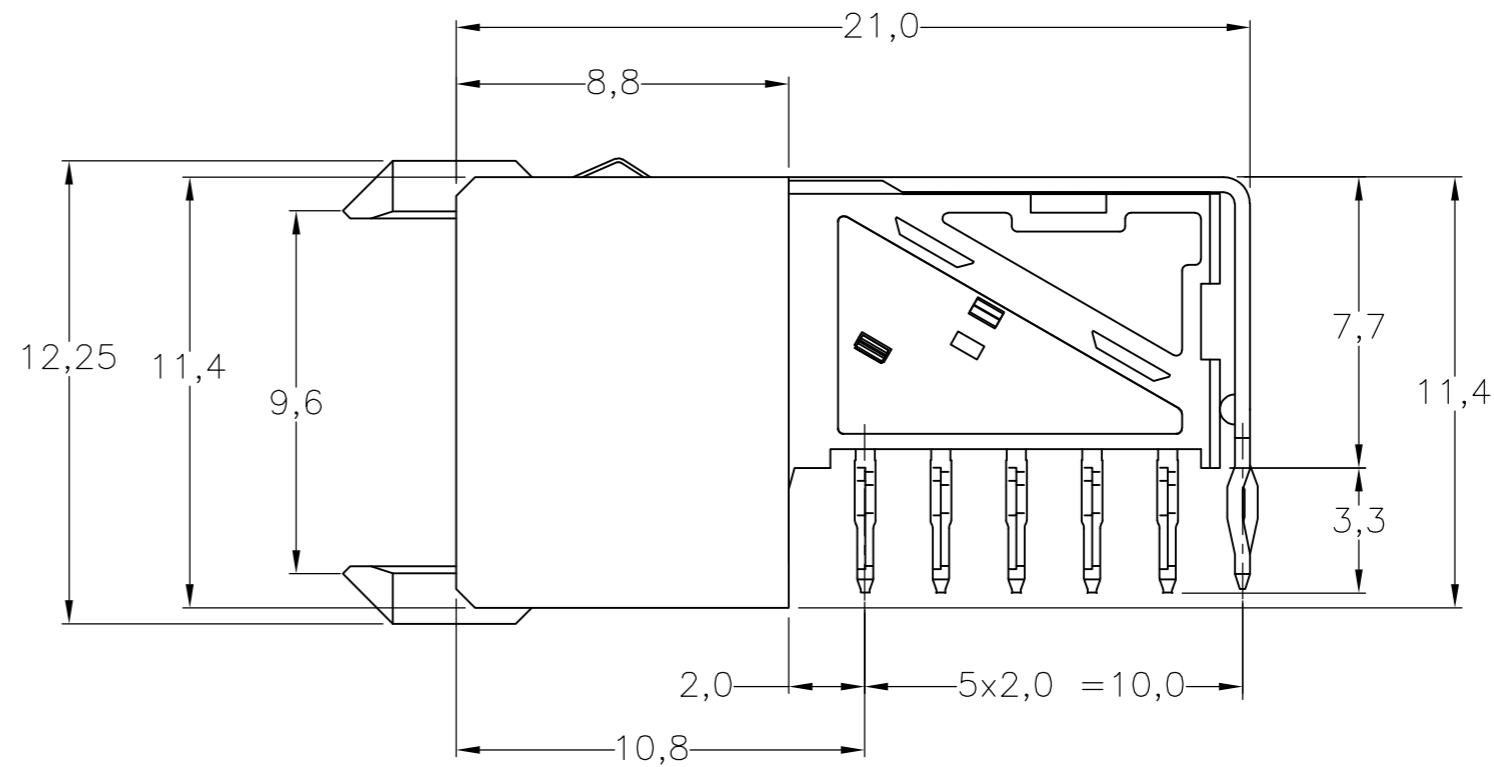
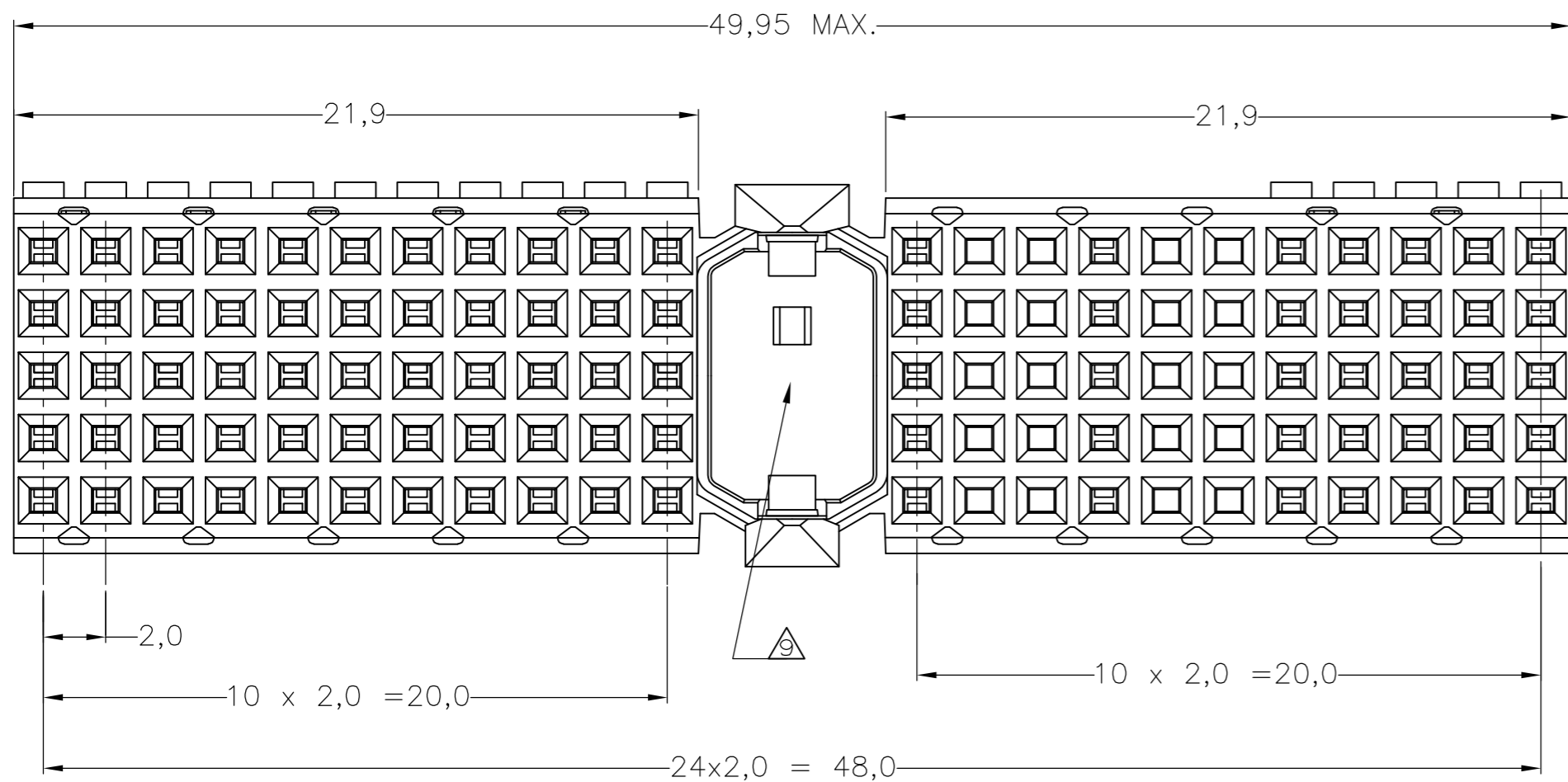


THIS DRAWING IS UNPUBLISHED. RELEASED FOR PUBLICATION
 © COPYRIGHT BY TYCO ELECTRONICS CORPORATION. ALL RIGHTS RESERVED.

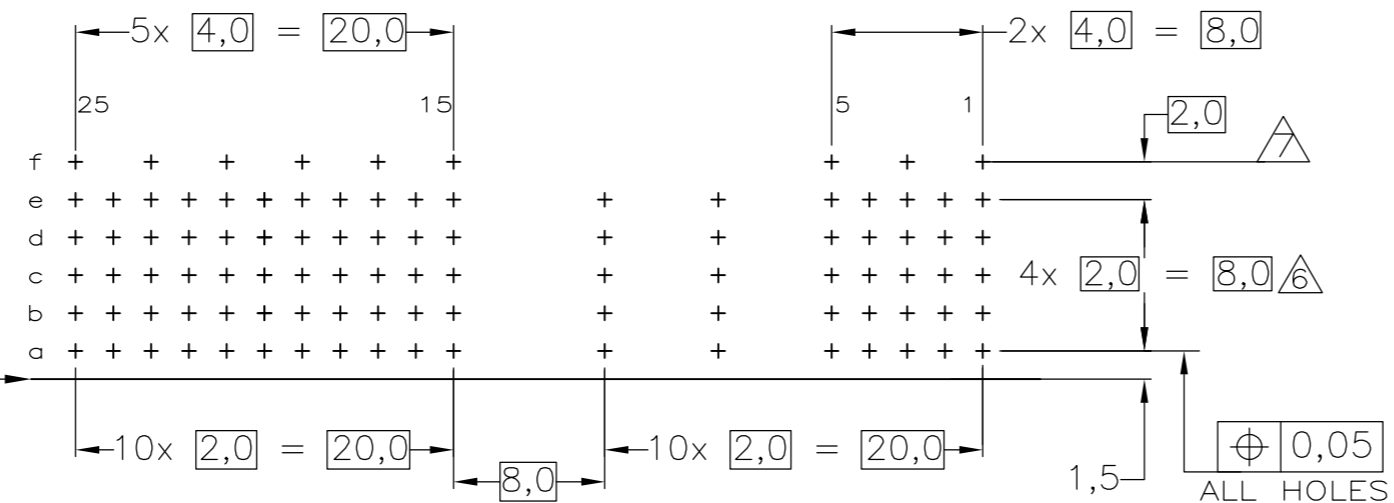
LOC		DIST		REVISIONS			
P	LTR	DESCRIPTION	DATE	DWN	APVD		
G2		ECR-07-008404	17APR2007	JvH	BM		
H		ECO-11-024491	13DEC11	SY	MQW		



- NOTES:
- ① MATERIAL CONTACTS AND SHIELDS; PHOSPHORBRONZE
MATERIAL HOUSING; GLASSFILLED POLYESTER (GRAY)
 - ② GENERAL PLATING SPECIFICATION: UNDERPLATING (ENTIRE CONTACT):
1,27µm NICKEL MIN. AND ACTION PIN: 0,5µm TIN-LEAD MIN.
FOR PLATING OF MATING SURFACES SEE APPLICABLE
SPECIFICATION REFERENCE FOR EACH DASH NUMBER.
 - ③ CONFORMS TO ALL TESTING ACCORDING IEC 61076-4-101
PERFORMANCE LEVEL 2.
 - ④ PLATING SHIELD :
CONTACT AREA : 0,76µm Au Min.
ACTION PIN : 0,5µm SnPb Min.
REMAINDER : Ni
 - ⑤ ASSEMBLY PRINTED WITH P/N AND DATECODE. THE MARKING
CAN APPEAR ON THE FRONT SIDE OR THE BACK SIDE
 - ⑥ HOLE PATTERN FOR FEMALE CONNECTOR
90 PLATED-THROUGH HOLES AT 2x2mm SQUARE GRID
 - ⑦ ROW "f" 9 PLATED THROUGH HOLES FOR BOTH UPSHIELDS
 - ⑧ SHIELDS MOUNTED ON CONNECTOR WITH DOUBLE SIDED
ADHESIVE TAPE
 - ⑨ AREA RESERVED FOR KEYING PART (BASIC P.N. 100526)
 - ⑩ NO CONTACTS ON COLUMNS 6-7 AND 9-10



COMPONENT SIDE AS SHOWN
 RECOMMENDED PCB-HOLE LAY-OUT
 SCALE 2,5:1



P.C.B. HOLE DIM. ACTION PIN
 FOR DETAILS SEE
 APPLICATION SPECIFICATION

THIS DRAWING IS A CONTROLLED DOCUMENT.		DWN W. V.D. HEIJDEN 23FEB98	Tyco Electronics Corporation s-Hertogenbosch, Netherlands,	
DIMENSIONS: MM		CHK W. V.D. HEIJDEN 23FEB98	NAME Z-PACK 2MM HM TYPE A - 16 COLUMNS (J4 VERSION) PRE-SHIELDED RECEPTACLE	
TOLERANCES UNLESS OTHERWISE SPECIFIED: 0 PLC ± - 1 PLC ± - 2 PLC ± - 3 PLC ± - 4 PLC ± - ANGLES ± - FINISH		APVD F.V.KONINGSBRUGGE 23NOV99	PRODUCT SPEC 108-19082	RESTRICTED TO
MATERIAL		APPLICATION SPEC 114-19029	WEIGHT	SIZE A2
		CUSTOMER DRAWING	CAGE CODE 00779	DRAWING NO 352359
			SCALE NTS	SHEET 1 OF 1
				REV H