



Chipsmall Limited consists of a professional team with an average of over 10 year of expertise in the distribution of electronic components. Based in Hongkong, we have already established firm and mutual-benefit business relationships with customers from,Europe,America and south Asia,supplying obsolete and hard-to-find components to meet their specific needs.

With the principle of “Quality Parts,Customers Priority,Honest Operation,and Considerate Service”,our business mainly focus on the distribution of electronic components. Line cards we deal with include Microchip,ALPS,ROHM,Xilinx,Pulse,ON,Everlight and Freescale. Main products comprise IC,Modules,Potentiometer,IC Socket,Relay,Connector.Our parts cover such applications as commercial,industrial, and automotives areas.

We are looking forward to setting up business relationship with you and hope to provide you with the best service and solution. Let us make a better world for our industry!



## Contact us

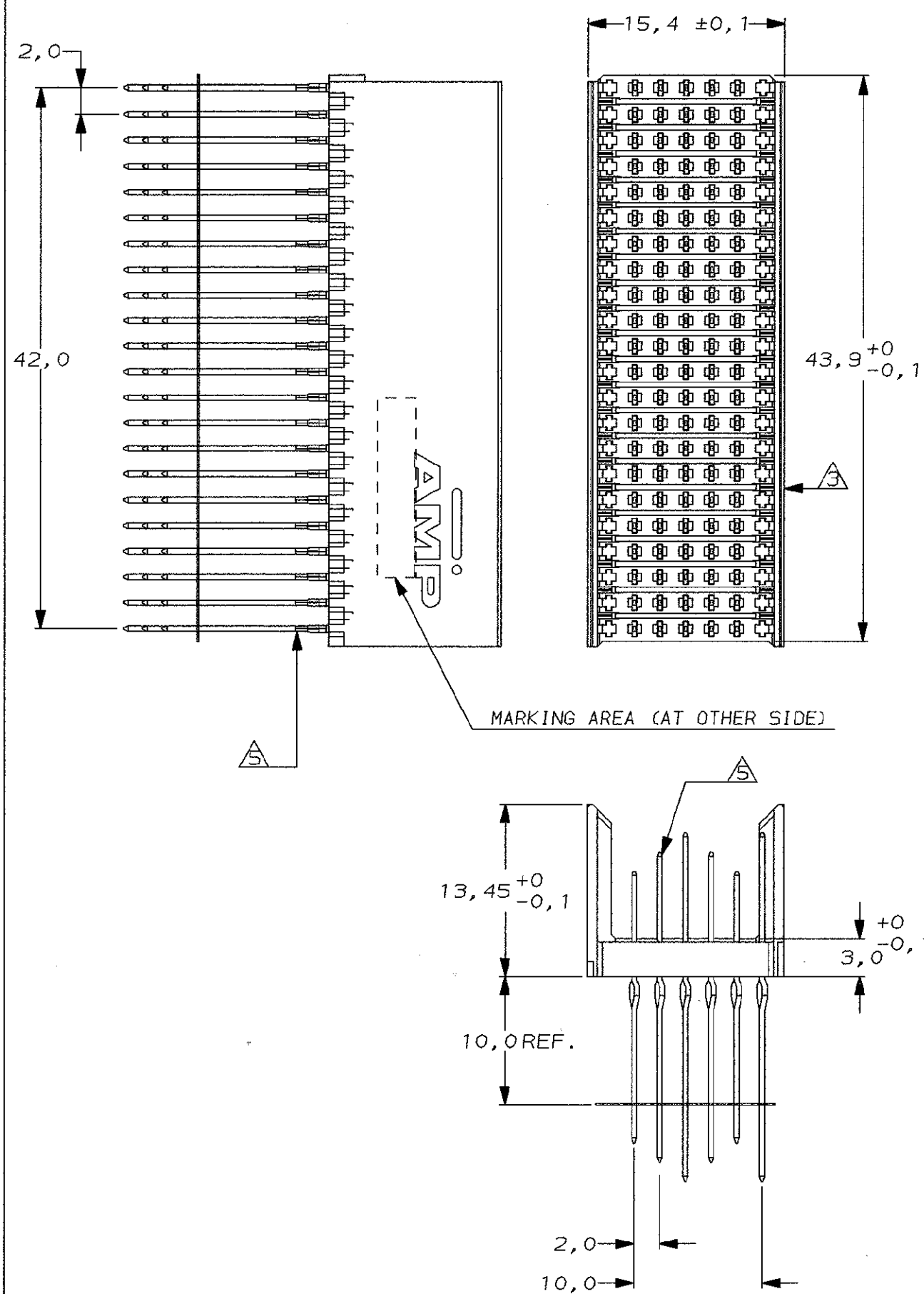
Tel: +86-755-8981 8866 Fax: +86-755-8427 6832

Email & Skype: info@chipsmall.com Web: www.chipsmall.com

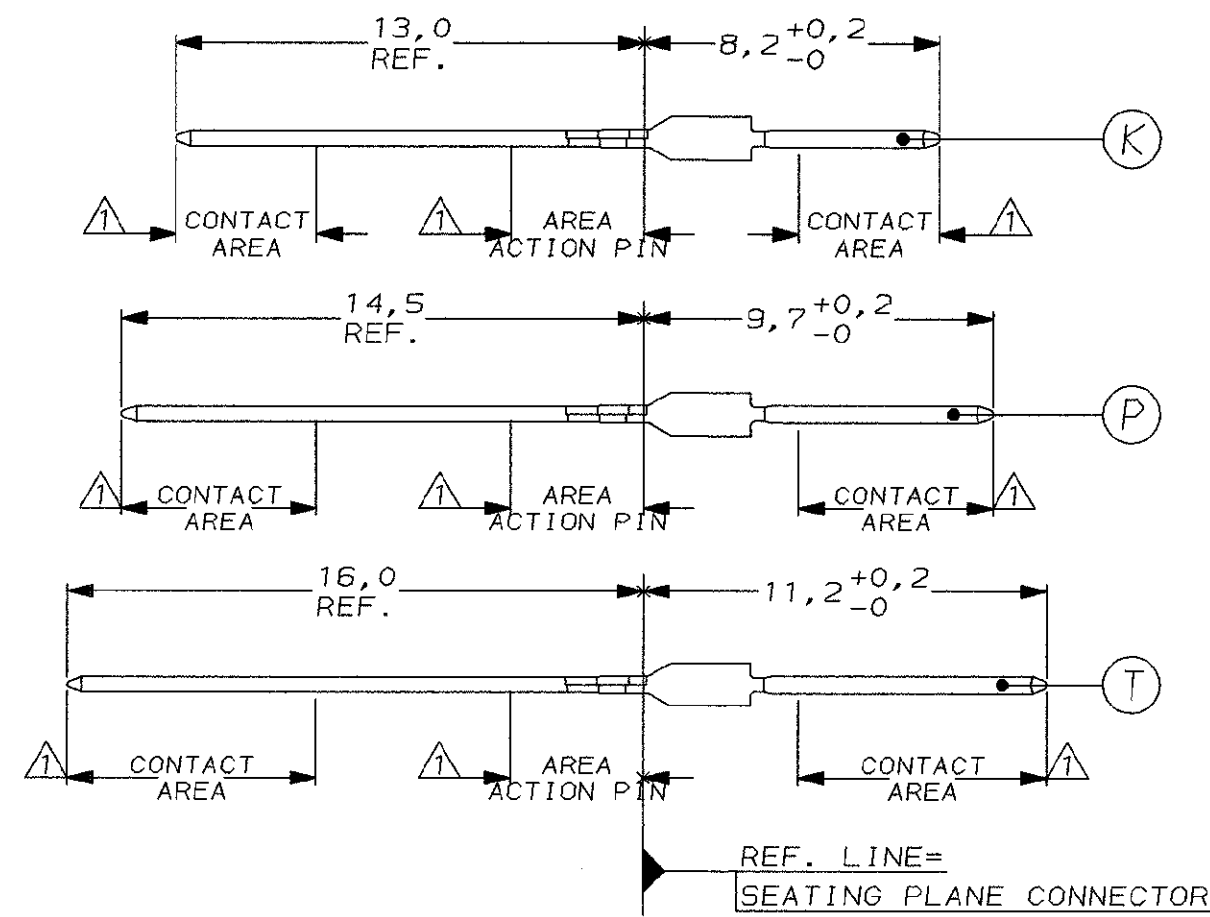
Address: A1208, Overseas Decoration Building, #122 Zhenhua RD., Futian, Shenzhen, China



CONNECTOR ASSEMBLY  
EXEMPLARY LOADED



CONTACT DIMENSIONS



DO NOT SCALE  
DIMENSIONS IN mm

METRIC

THIRD ANGLE  
PROJECTION

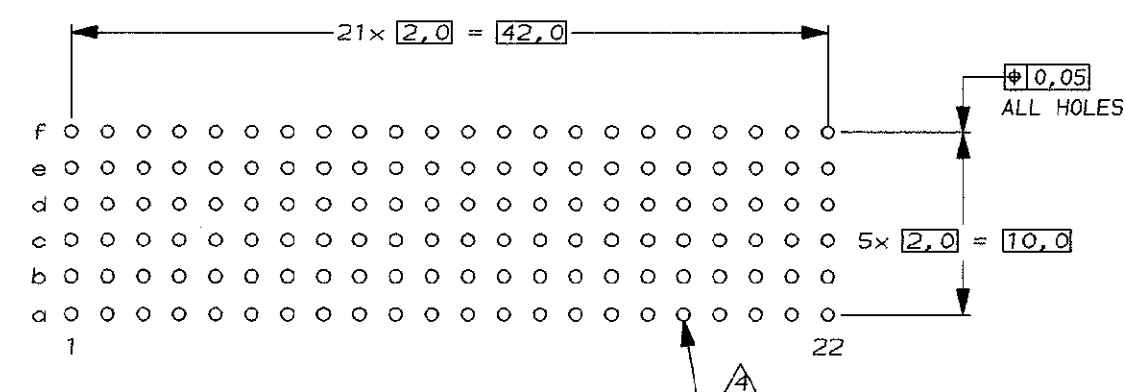
CONTACT LAYOUT

	z	a	b	c	d	e	f
1		K	K	K	K	K	T
2		K	K	K	K	K	T
3		K	K	K	K	K	T
4		K	K	K	K	K	T
5		K	K	K	K	K	T
6		K	K	K	K	K	T
7		K	K	K	K	K	T
8		K	K	K	K	K	T
9		K	K	K	K	K	T
10		K	K	K	K	K	T
11		K	K	K	K	K	T
12		K	K	K	K	K	T
13		K	K	K	K	K	T
14		K	K	K	K	K	T
15		K	K	K	K	K	T
16		K	K	K	K	K	T
17		K	K	K	K	K	T
18		K	K	K	K	K	T
19		P	P	P	P	P	T
20		P	P	P	P	P	T
21		P	P	P	P	P	T
22		P	P	P	P	P	T

PART NO.	PLATING TABLE $\Delta$			
	UNDER-COATING $\mu\text{m Ni MIN.}$	CONTACT AREA $\mu\text{m Au MIN.}$	ACTION-PIN AREA $\mu\text{m}$	-
352360-1	1,3	0,8	0,5-2,5 Sn/Pb	-
-	-	-	-	-
-	-	-	-	-
-	-	-	-	-

NOTES:

- $\Delta$  FOR FINISH TYPES SEE PLATING TABLE.
- $\Delta$  MATERIAL CONTACT: PHOSPHORBRONZE.  
MATERIAL HOUSING: GREY GLASSFILLED POLYESTER  
MATERIAL POST ALIGNMENT STRIP: UNFILLED POLYESTER.
- $\Delta$  CONNECTOR MARKED WITH PART NUMBER AND DATE CODE.
- $\Delta$  PLATED-THROUGH HOLES AT 2x2mm SQUARE GRID, TOTAL 132 HOLES.
- $\Delta$  FOR ACTUAL PIN LOADING SEE "CONTACT LAYOUT".



RECOMMENDED PCB-HOLE LAY-OUT  
COMPONENT SIDE SHOWN

P.C.B. HOLE DIM. ACTION PIN

DRILLED HOLE: 0,7±0,025mm  
FIN. HOLE : 0,55 TO 0,65mm  
Cu-thks : 0,025 TO 0,050mm  
SnPb-thks : 0,004 TO 0,010mm

FINISH		MATERIAL		PART NUMBER	
-	-	-	-	-	-
-	-	-	-	-	-
-	-	-	-	-	-
-	-	-	-	-	-
-	-	-	-	-	352360-1
CUSTOMER DRAWING FOR REFERENCE ONLY WILL NOT BE UPDATED					
© COPYRIGHT 1999 BY AMP HOLLAND B.V. ALL INTERNATIONAL RIGHTS RESERVED. AMP PRODUCTS MAY BE COVERED BY U.S. AND FOREIGN AND/OR PATENTS PENDING. THIS DRAWING IS UNPUBLISHED RELEASED FOR PUBLICATION					
B	EH-0342-00	HHO	LvdR	10-MAR-00	AMP HOLLAND B.V. 's-Hertogenbosch, The Netherlands.
A	EH-0458-99	LvdH	LvdR	08-MAR-99	
O	-	LvdH	WvdH	27-FEB-98	NAME Z-PACK 2mm HM TYPE B 132 POS. MALE
CONNECTOR ASSEMBLY 22 COLUMNS					
LTR.	REVISION RECORD	DR.	CHK.	DATE	REV. LTR. SHEET
DR. : L.V.D. HEIJDEN	CHK. : L.V.D. HEIJDEN	APP. : F.V. KONINGSBRUGGE	DWG. No.	REV. LTR.	SHEET
DATE: 27-FEB-98	DATE: 27-FEB-98	DATE: -	C-352360	B	1 OF 1