



Chipsmall Limited consists of a professional team with an average of over 10 year of expertise in the distribution of electronic components. Based in Hongkong, we have already established firm and mutual-benefit business relationships with customers from,Europe,America and south Asia,supplying obsolete and hard-to-find components to meet their specific needs.

With the principle of "Quality Parts,Customers Priority,Honest Operation,and Considerate Service",our business mainly focus on the distribution of electronic components. Line cards we deal with include Microchip,ALPS,ROHM,Xilinx,Pulse,ON,Everlight and Freescale. Main products comprise IC,Modules,Potentiometer,IC Socket,Relay,Connector.Our parts cover such applications as commercial,industrial, and automotives areas.

We are looking forward to setting up business relationship with you and hope to provide you with the best service and solution. Let us make a better world for our industry!



## Contact us

Tel: +86-755-8981 8866 Fax: +86-755-8427 6832

Email & Skype: info@chipsmall.com Web: www.chipsmall.com

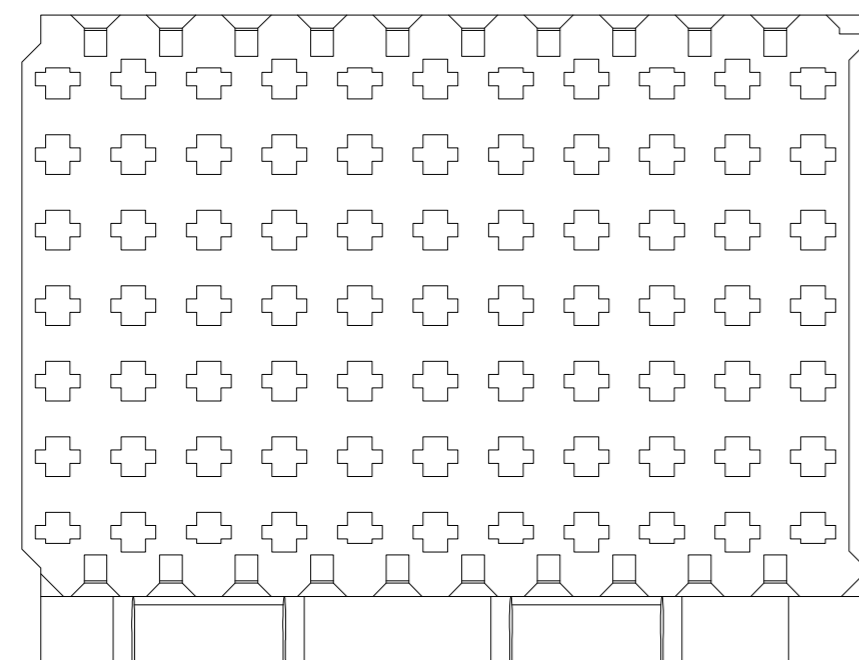
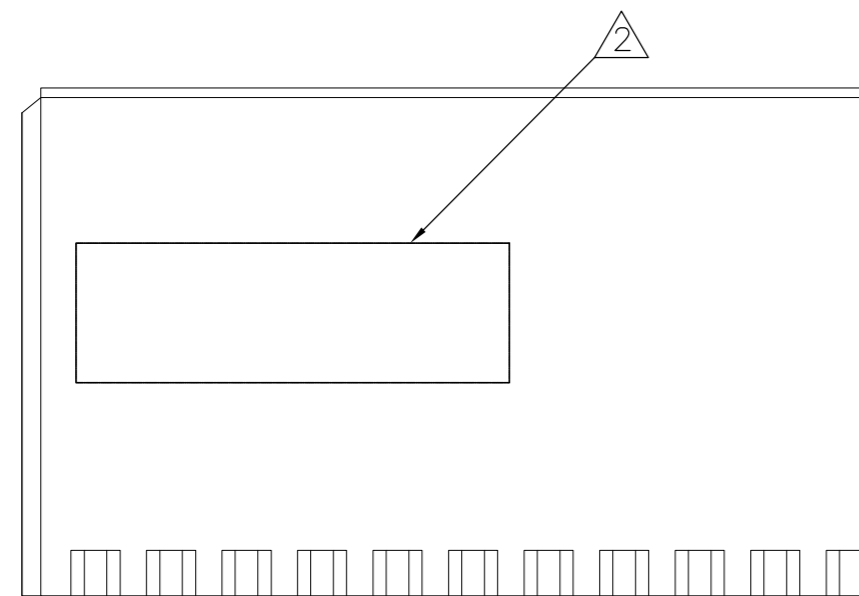
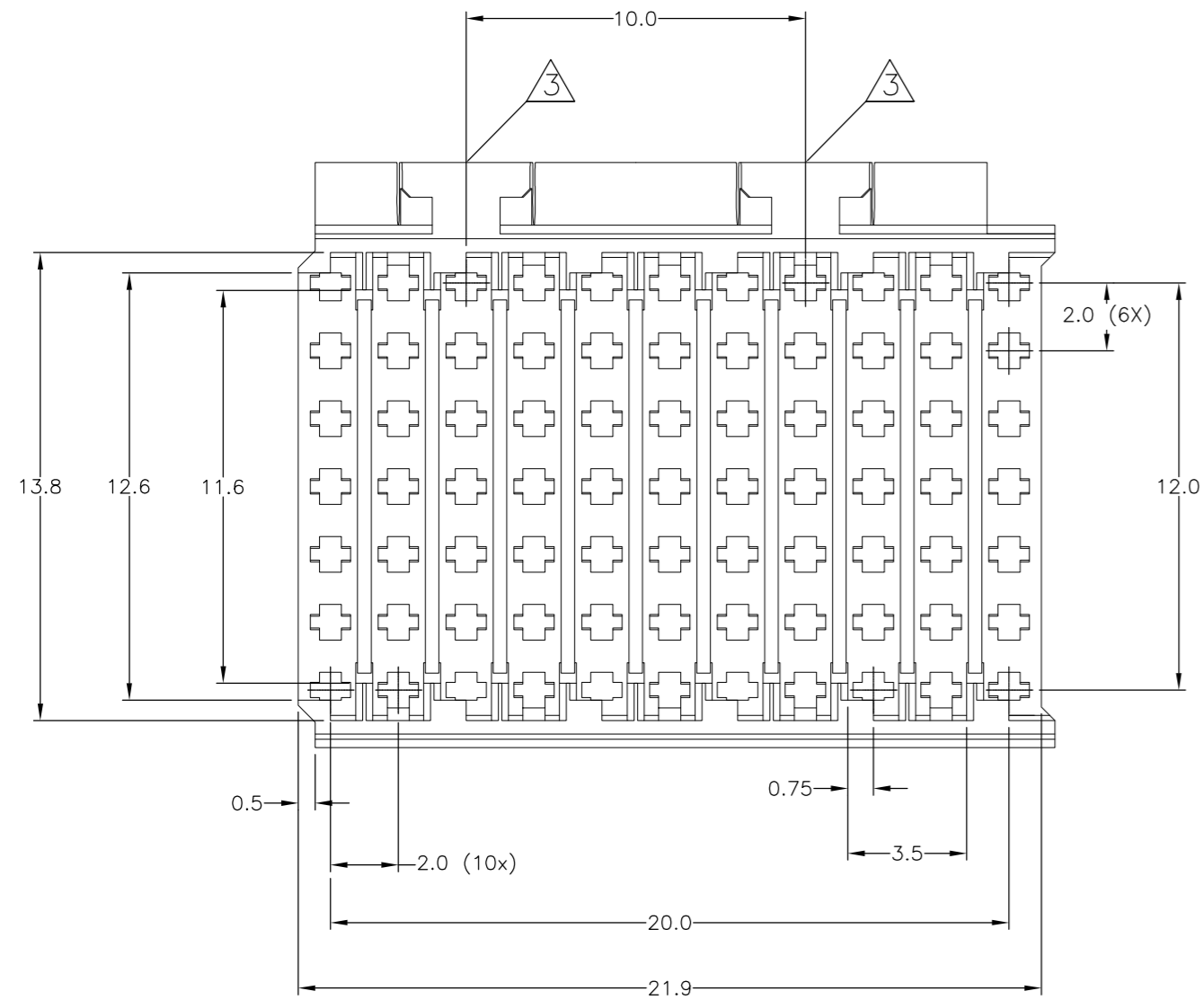
Address: A1208, Overseas Decoration Building, #122 Zhenhua RD., Futian, Shenzhen, China



DO NOT SCALE  
DIMENSIONS IN mm

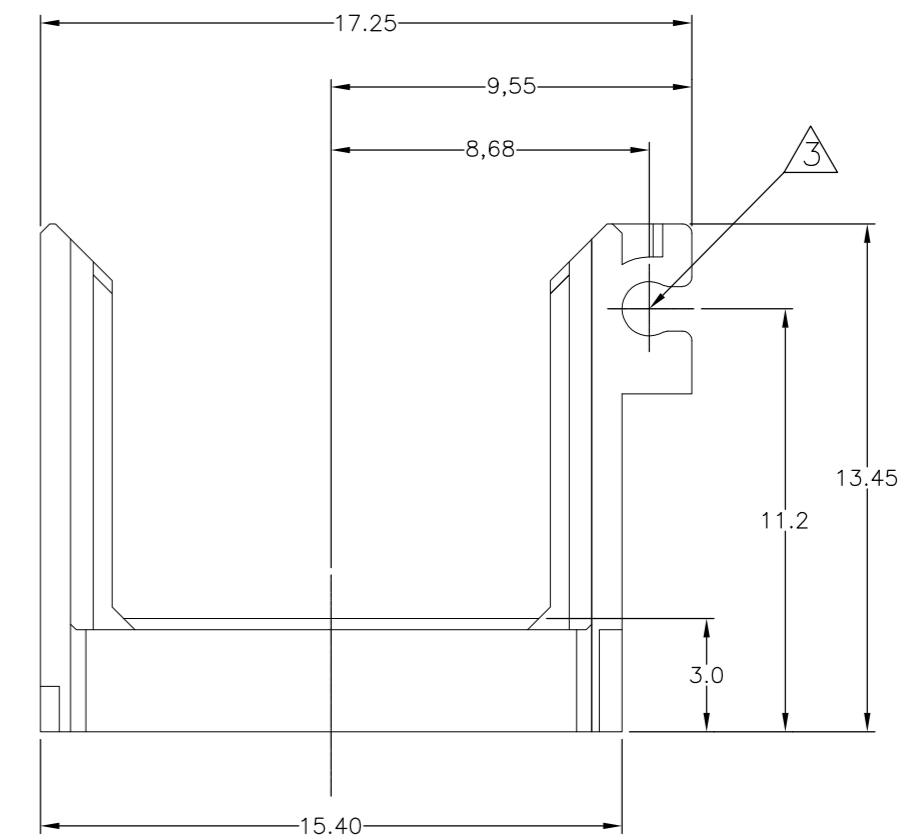
METRIC

THIRD ANGLE  
PROJECTION



NOTES:

- △ MATERIAL SHROUD: GLASS FILLED POLYCARBONAAT
- △ SHROUD PRINTED (AT OTHER SIDE) WITH P/N AND DATECODE
- △ FITS SNAP LATCH P/N 352706-1 (9.8mm width)
- 4 352674-2 AS SHOWN



352674-2	△	LIF CABLE CONNECTOR SHROUD 21,9mm			
PARTNUMBER	MATERIAL	DESCRIPTION			
-	-	-	-	-	CUSTOMER DRAWING FOR REFERENCE ONLY WILL NOT BE UPDATED
-	-	-	-	-	© COPYRIGHT 19 98 BY AMP HOLLAND B.V. ALL INTERNATIONAL RIGHTS RESERVED. AMP PRODUCTS MAY BE COVERED BY U.S. AND FOREIGN AND/OR PATENTS PENDING.
-	-	-	-	-	THIS DRAWING IS UNPUBLISHED RELEASED FOR PUBLICATION _____, 19 ____
C	ECR-15-017390	WL	FY	8-DEC-15	Tyco Electronics Corp. Oostkamp, Belgium. NAME Z-PACK 2mm HM LIF CABLE CONNECTOR SHROUD 21,9mm
B	SR10-0163-03	DP	DP	02-JUN-03	
A	EH00-0979-98	WvdH	WvdH	24-11-99	
LTR.	REVISION RECORD	DR.	CHK.	DATE	
DR.: W.v.d.Heijden	CHK.: W.v.d.Heijden	APP.: F.v.Koningsbrugge	DWG.No.	REV.LTR.	SHEET
DATE: 25-05-99	DATE: 25-05-99	DATE: 24-11-99	C-352674	C	1 of 1

G  
F  
E  
D  
C  
B  
A