



Chipsmall Limited consists of a professional team with an average of over 10 year of expertise in the distribution of electronic components. Based in Hongkong, we have already established firm and mutual-benefit business relationships with customers from,Europe,America and south Asia,supplying obsolete and hard-to-find components to meet their specific needs.

With the principle of “Quality Parts,Customers Priority,Honest Operation,and Considerate Service”,our business mainly focus on the distribution of electronic components. Line cards we deal with include Microchip,ALPS,ROHM,Xilinx,Pulse,ON,Everlight and Freescale. Main products comprise IC,Modules,Potentiometer,IC Socket,Relay,Connector.Our parts cover such applications as commercial,industrial, and automotives areas.

We are looking forward to setting up business relationship with you and hope to provide you with the best service and solution. Let us make a better world for our industry!



## Contact us

Tel: +86-755-8981 8866 Fax: +86-755-8427 6832

Email & Skype: info@chipsmall.com Web: www.chipsmall.com

Address: A1208, Overseas Decoration Building, #122 Zhenhua RD., Futian, Shenzhen, China



## 5mm Round Full Color Flashing Red & Blue & Green LED

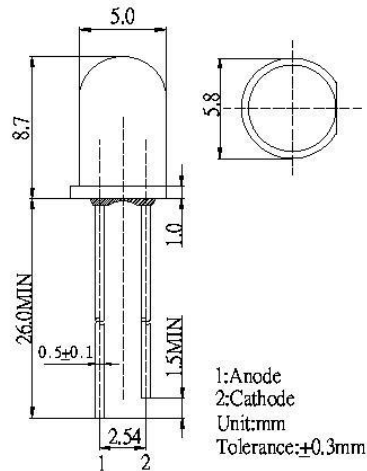
### ■Features

- High Luminous LEDs
- 5mm Round Standard Directivity
- Superior Weather-resistance
- Full Color Flashing Type
- White Diffused Type

### ■Applications

- Toys
- Games
- Audio
- Other Lighting

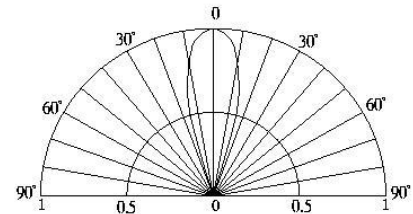
### ■Outline Dimension



### ■Absolute Maximum Rating (Ta=25°C)

Item	Symbol	Value	Unit
IC Output Current	I <sub>op</sub>	100	mA
Blinking Cycle	T	33	S
Power Supply	Voltage	5.0	V
Operating Temperature	T <sub>opr</sub>	-30 ~ +85	°C
Storage Temperature	T <sub>stg</sub>	-40 ~ +100	°C
Lead Soldering Temperature	T <sub>sol</sub>	260°C/5sec	°C

### ■Directivity



### ■Electrical -Optical Characteristics (Ta=25°C)

Item	Symbol	Condition	Min.	Typ.	Max.	Unit
DC Forward Voltage	V <sub>dd</sub>	I <sub>F</sub> =20mA	3.8	4.5	5	V
DC Reverse Current	I <sub>R</sub>	V <sub>R</sub> =5V	-	-	10	μA
Domi. Wavelength	λ <sub>D</sub> (Red)	I <sub>F</sub> =20mA	620	625	640	nm
	λ <sub>D</sub> (Blue)	I <sub>F</sub> =20mA	465	470	475	nm
	λ <sub>D</sub> (Green)	I <sub>F</sub> =20mA	520	525	530	nm
Luminous Intensity	I <sub>v</sub> (Red)	I <sub>F</sub> =20mA	220	330	500	mcd
	I <sub>v</sub> (Blue)	I <sub>F</sub> =20mA	330	500	750	mcd
	I <sub>v</sub> (Green)	I <sub>F</sub> =20mA	500	750	1120	mcd
50% Power Angle	2θ <sub>1/2</sub>	I <sub>F</sub> =20mA	-	30	-	deg

\*1 Tolerance of dominant Wavelength is ±1nm

\*2 Tolerance of luminous intensity is ±15%

LED & Application Technologies



VER A.0