



Chipsmall Limited consists of a professional team with an average of over 10 year of expertise in the distribution of electronic components. Based in Hongkong, we have already established firm and mutual-benefit business relationships with customers from,Europe,America and south Asia,supplying obsolete and hard-to-find components to meet their specific needs.

With the principle of “Quality Parts,Customers Priority,Honest Operation,and Considerate Service”,our business mainly focus on the distribution of electronic components. Line cards we deal with include Microchip,ALPS,ROHM,Xilinx,Pulse,ON,Everlight and Freescale. Main products comprise IC,Modules,Potentiometer,IC Socket,Relay,Connector.Our parts cover such applications as commercial,industrial, and automotives areas.

We are looking forward to setting up business relationship with you and hope to provide you with the best service and solution. Let us make a better world for our industry!



Contact us

Tel: +86-755-8981 8866 Fax: +86-755-8427 6832

Email & Skype: info@chipsmall.com Web: www.chipsmall.com

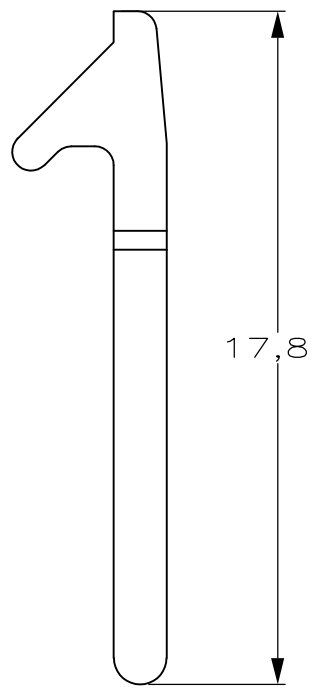
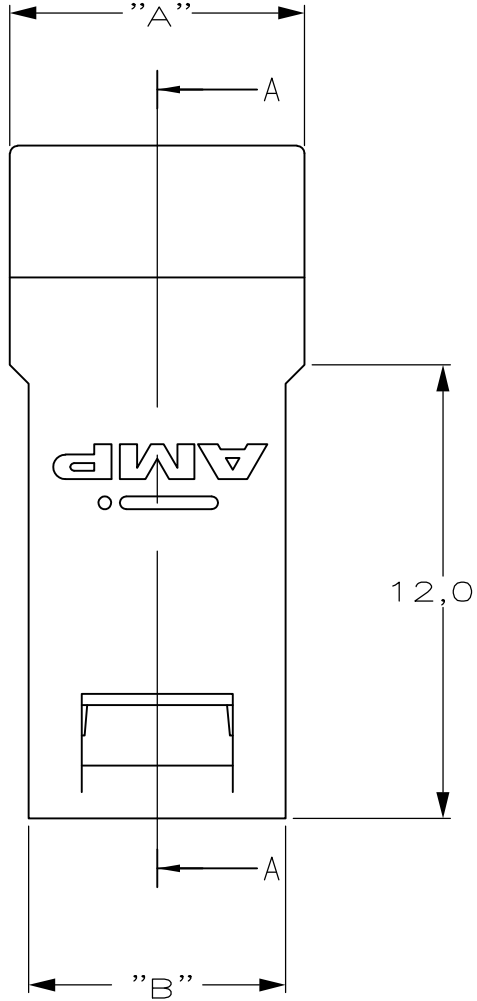
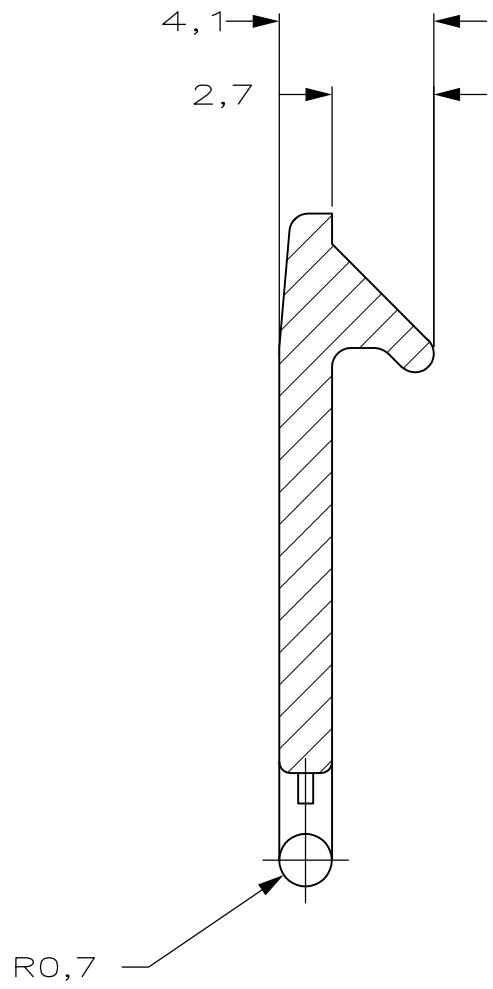
Address: A1208, Overseas Decoration Building, #122 Zhenhua RD., Futian, Shenzhen, China



THIS DRAWING IS UNPUBLISHED. RELEASED FOR PUBLICATION
 © COPYRIGHT - BY TYCO ELECTRONICS CORPORATION. ALL RIGHTS RESERVED.

LOC	DIST	REVISIONS			
P	LTR	DESCRIPTION	DATE	DWN	APVD
	C	SR10-0031-03	30-01-03	DP	-
	D	ECR-10-019054	15SEP10	DP	MQW

SECTION A-A



- NOTES:
1. MATERIAL: GLASFILLED POLYESTER
COLOR : GRAY
 2. -2 VERSION AS SHOWN
 3. CAN ONLY BE USED IN COMBINATION WITH LIF VERSION CABLE CONNECTOR SHROUDS

4	6,8	7,8	352706-2
5	8,8	9,8	352706-1
POSITIONS	DIM "B"	DIM "A"	PARTNUMBER

THIS DRAWING IS A CONTROLLED DOCUMENT.		DWN Devos	30JAN2003	Tyco Electronics Corporation Oostkamp - BELGIUM	
DIMENSIONS: MM		CHK -	APVD -	NAME	
		TOLERANCES UNLESS OTHERWISE SPECIFIED: ±0.2		PRODUCT SPEC	
MATERIAL -		FINISH -		APPLICATION SPEC	
		WEIGHT -		SIZE A3	CAGE CODE 00779
		CUSTOMER DRAWING		DRAWING NO C-352706	RESTRICTED TO -
		SCALE 5:1		SHEET 1 OF 1	REV D