



Chipsmall Limited consists of a professional team with an average of over 10 year of expertise in the distribution of electronic components. Based in Hongkong, we have already established firm and mutual-benefit business relationships with customers from,Europe,America and south Asia,supplying obsolete and hard-to-find components to meet their specific needs.

With the principle of “Quality Parts,Customers Priority,Honest Operation,and Considerate Service”,our business mainly focus on the distribution of electronic components. Line cards we deal with include Microchip,ALPS,ROHM,Xilinx,Pulse,ON,Everlight and Freescale. Main products comprise IC,Modules,Potentiometer,IC Socket,Relay,Connector.Our parts cover such applications as commercial,industrial, and automotives areas.

We are looking forward to setting up business relationship with you and hope to provide you with the best service and solution. Let us make a better world for our industry!



Contact us

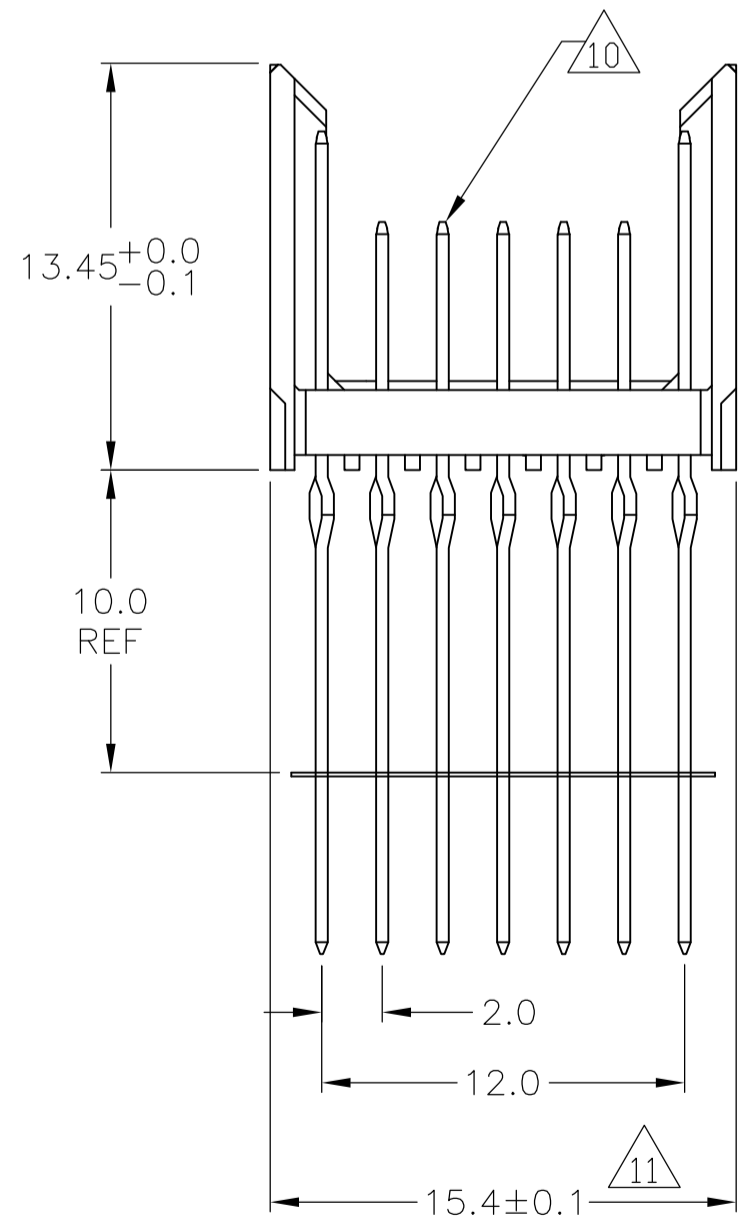
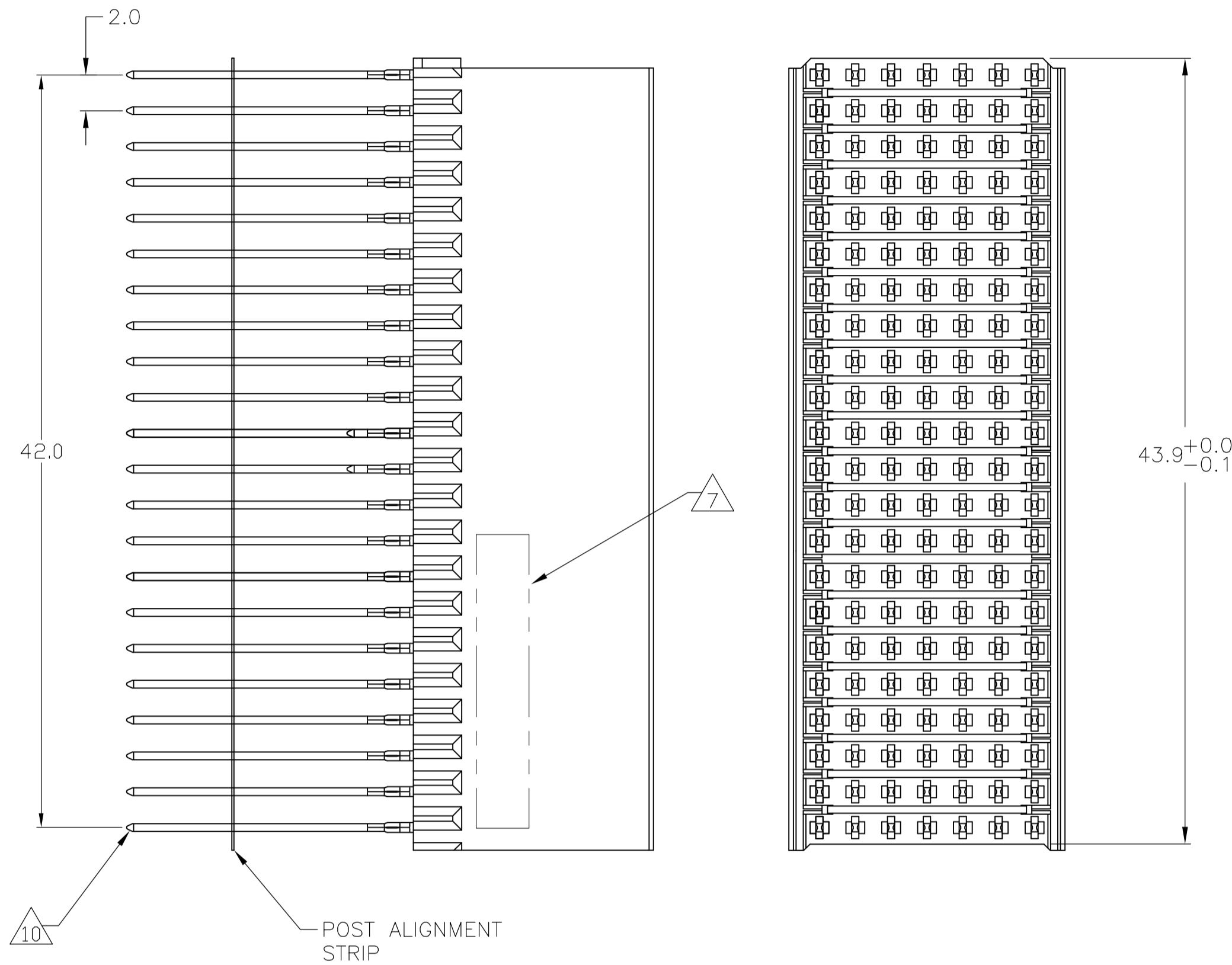
Tel: +86-755-8981 8866 Fax: +86-755-8427 6832

Email & Skype: info@chipsmall.com Web: www.chipsmall.com

Address: A1208, Overseas Decoration Building, #122 Zhenhua RD., Futian, Shenzhen, China

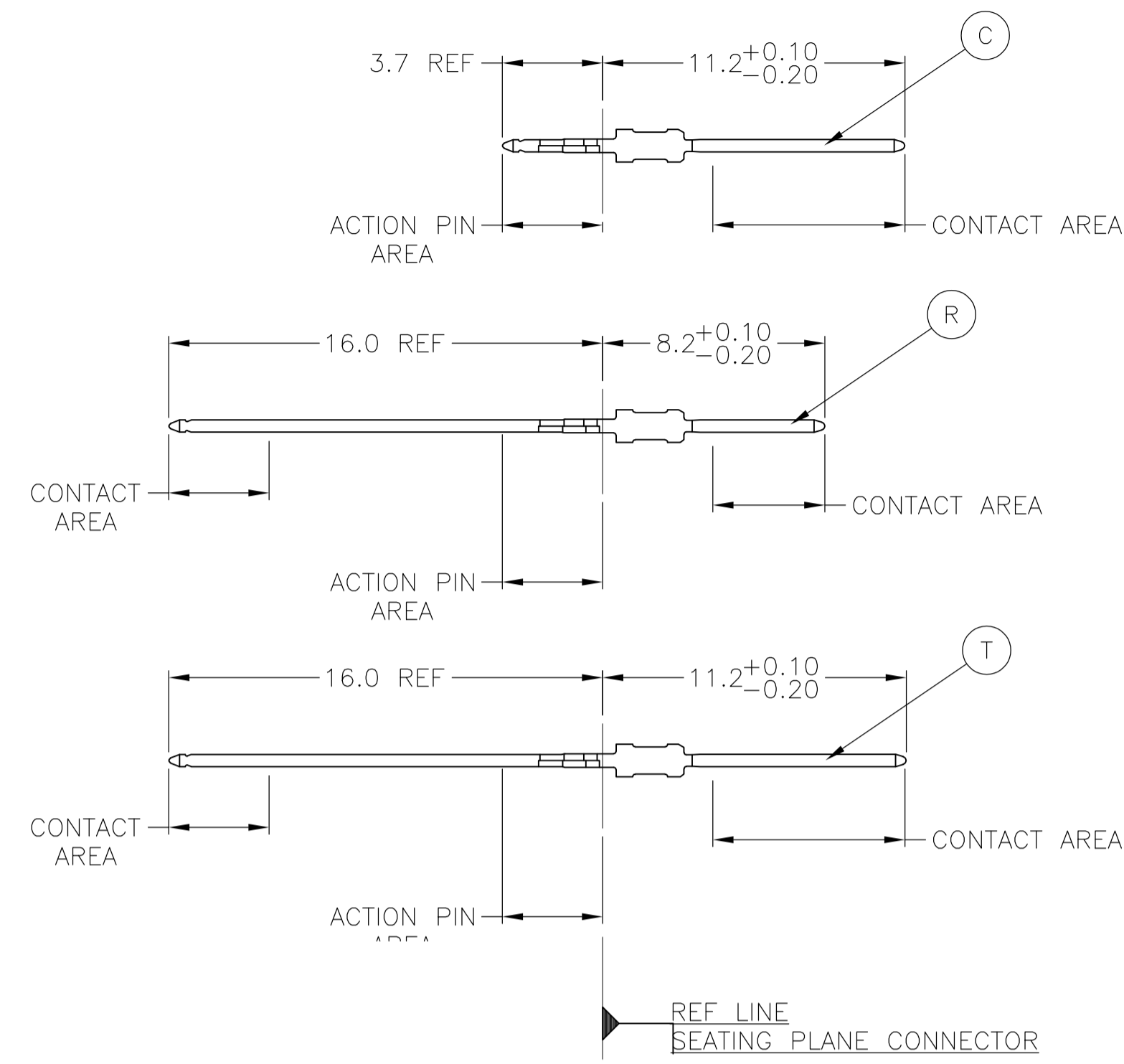


CONNECTOR ASSEMBLY EXAMPLARY LOADED



CONTACT DIMENSIONS

SCALE 5:1



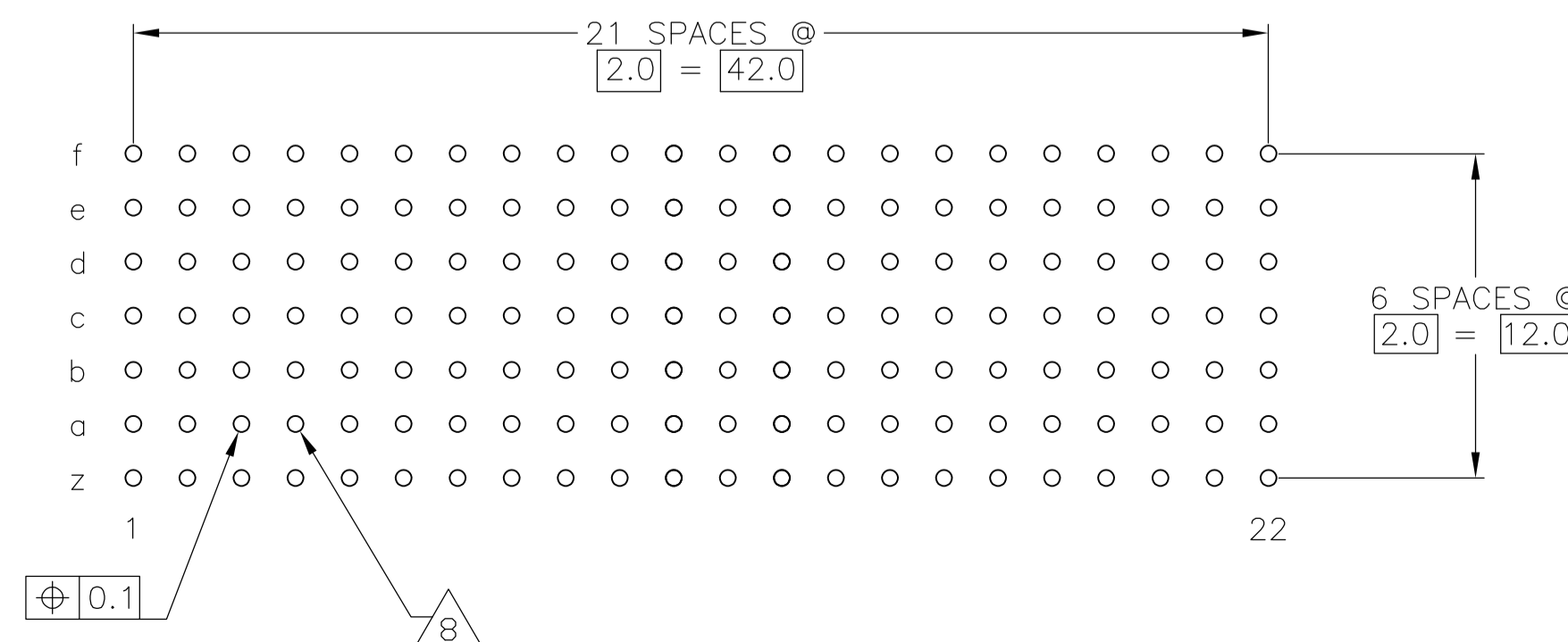
CONTACT LAYOUT

	z	a	b	c	d	e	f
1	T	R	R	R	R	R	T
2	T	R	R	R	R	R	T
3	T	R	R	R	R	R	T
4	T	R	R	R	R	R	T
5	T	R	R	R	R	R	T
6	T	R	R	R	R	R	T
7	T	R	R	R	R	R	T
8	T	R	R	R	R	R	T
9	T	R	R	R	R	R	T
10	T	R	R	R	R	R	T
11	C	R	R	R	R	R	C
12	C	R	R	R	R	R	C
13	T	R	R	R	R	R	T
14	T	R	R	R	R	R	T
15	T	R	R	R	R	R	T
16	T	R	R	R	R	R	T
17	T	R	R	R	R	R	T
18	T	R	R	R	R	R	T
19	T	R	R	R	R	R	T
20	T	R	R	R	R	R	T
21	T	R	R	R	R	R	T
22	T	R	R	R	R	R	T

RECOMMENDED PCB-HOLE LAYOUT COMPONENT SIDE SHOWN

PLATED THRU HOLES PARAMETERS

REFERENCE APPLICATION SPECIFICATION



13	OBSOLETE	2 6 12	1-352716-9
	OBSOLETE	2 5 12	352716-9
	OBSOLETE	2 4 4	352716-4
	OBSOLETE	2 3 3	352716-1
		FINISH	PART NUMBER

THIS DRAWING IS A CONTROLLED DOCUMENT.


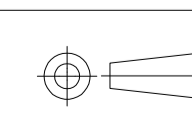
DIMENSIONS: mm	TOLERANCES UNLESS OTHERWISE SPECIFIED: 0-PLC ± 1-PLC ± 0.1 2-PLC ± 3-PLC ± 4-PLC ± ANGLES ±	DIN B CARBO 28JUL05 GSKIPPER 28JUL05 GSKIPPER 28JUL05	Tyco Electronics Corporation Harrisburg, Pa 17105-3608
MATERIAL 1	FINISH SEE TABLE	NAME 108-19082 APPLICATION SPEC 114-19029	MALE ASSEMBLY, Z-PACK 2mm HM, TYPE B
		SIZE A1 CAGE CODE 00779 DRAWING NO. C=352716	RESTRICTED TO
		WEIGHT	CUSTOMER DRAWING

SCALE 4:1 SHEET 1 OF 2 REV E

THIS DRAWING IS UNPUBLISHED. RELEASED FOR PUBLICATION
 © COPYRIGHT BY TYCO ELECTRONICS CORPORATION. ALL RIGHTS RESERVED.

LOC		DIST		REVISIONS				
P	LTR	DESCRIPTION	DATE	DN	APVO			
AD	00	SEE SHEET 1	-	-	-			

- 1 MATERIAL:
CONTACT: PHOSPHOR BRONZE.
HOUSING: GLASS-FILLED POLYESTER.
- 2 GENERAL PLATING SPECIFICATION: UNDERPLATING
(ENTIRE CONTACT): 1.27µm MIN NICKEL AND ACTION
PIN: 0.5µm MIN TIN/LEAD.
FOR PLATING OF MATING SURFACES SEE APPLICABLE
SPECIFICATION REFERENCE FOR EACH DASH NUMBER.
- 3 CONFORMS TO ALL TESTING ACCORDING TO IEC 61076-4-101
PERFORMANCE LEVEL 2.
- 4 CONFORMS TO ALL TESTING ACCORDING TO IEC 61076-4-101
PERFORMANCE LEVEL 1.
- 5 CONNECTOR TESTED AND QUALIFIED AGAINST TELCORDIA GR-1217-CORE QUALITY LEVEL 3,
CENTRAL OFFICE APPLICATIONS.
- 6 CONNECTOR TESTED AND QUALIFIED AGAINST TELCORDIA GR-1217-CORE QUALITY LEVEL 3,
UNCONTROLLED ENVIROMENT APPLICATIONS.
- 7 CONNECTOR MARKED WITH PART NUMBER AND DATE CODE.
ADDITIONAL CHARACTERS OR MARKINGS, AS WELL AS THE LOCATION OF THE MARKINGS,
MAY BE ADDED FOR TRACEABILITY BASED UPON MANUFACTURERS DISCRETION.
- 8 PLATED-THROUGH HOLES AT 2x2mm SQUARE GRID
PATTERN DEFINED BY CONTACT LAYOUT.
- 9 FOR ACTUAL PIN LOADING SEE "CONTACT LAYOUT".
- 10 FOR ACTUAL PIN DIMENSIONS SEE "CONTACT DIMENSIONS".
- 11 TO BE MEASURED AT BOTTOM OF SHROUD.
- 12 CONNECTOR LUBRICATED WITH BELCORE APPROVED LUBRICANT,
TECHNICAL REFERENCE: TR-NWT-001217 ISSUE 1, SEP 1992.
- 13 OBSOLETE PARTS: OBSOLETE CIS STREAMLINING PER D.RENAUD/D.SINISI

THIS DRAWING IS A CONTROLLED DOCUMENT.		DIN E CARBO	28JUL05	 Tyco Electronics Corporation Harrisburg, Pa 17105-3608
		CHK G SKIPPER	28JUL05	
DIMENSIONS: mm		TOLERANCES UNLESS OTHERWISE SPECIFIED: 0-PLG ± 1-PLG ±0.1 2-PLG ± 3-PLG ± 4-PLG ± ANGLES ±		APVO G SKIPPER 28JUL05 NAME MALE ASSEMBLY, Z-PACK 2mm HM, TYPE B
		PRODUCT SPEC 108-19082 APPLICATION SPEC 114-19029		SIZE A1 CAGE CODE 00779 DRAWING NO C=352716 RESTRICTED TO -
MATERIAL SEE SHEET 1	FINISH SEE SHEET 1	WEIGHT -	CUSTOMER DRAWING	SCALE 4:1 SHEET 2 OF 2 REV E