



Chipsmall Limited consists of a professional team with an average of over 10 year of expertise in the distribution of electronic components. Based in Hongkong, we have already established firm and mutual-benefit business relationships with customers from,Europe,America and south Asia,supplying obsolete and hard-to-find components to meet their specific needs.

With the principle of “Quality Parts,Customers Priority,Honest Operation,and Considerate Service”,our business mainly focus on the distribution of electronic components. Line cards we deal with include Microchip,ALPS,ROHM,Xilinx,Pulse,ON,Everlight and Freescale. Main products comprise IC,Modules,Potentiometer,IC Socket,Relay,Connector.Our parts cover such applications as commercial,industrial, and automotives areas.

We are looking forward to setting up business relationship with you and hope to provide you with the best service and solution. Let us make a better world for our industry!



Contact us

Tel: +86-755-8981 8866 Fax: +86-755-8427 6832

Email & Skype: info@chipsmall.com Web: www.chipsmall.com

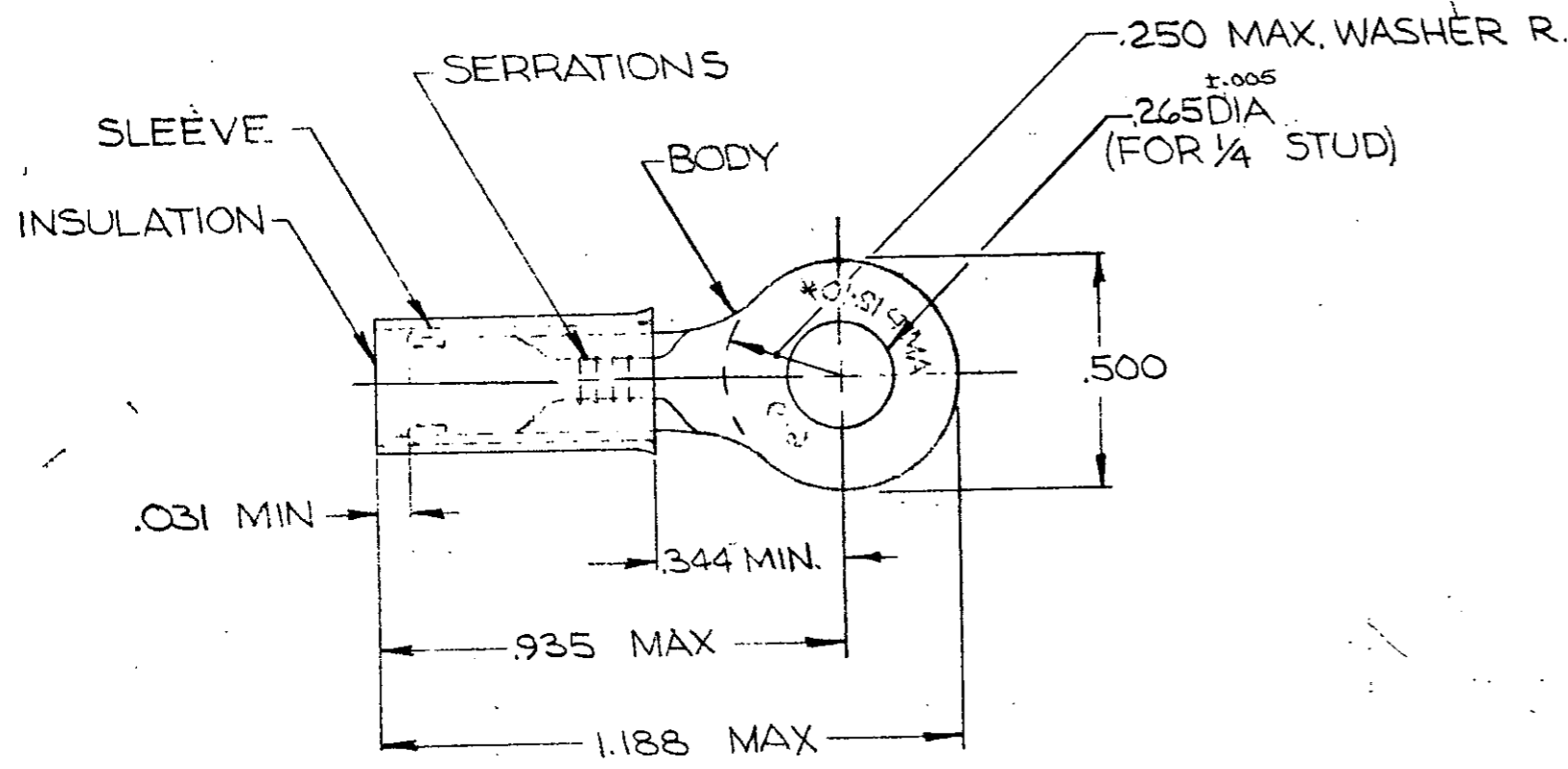
Address: A1208, Overseas Decoration Building, #122 Zhenhua RD., Futian, Shenzhen, China



DRAWING MADE IN AMERICAN PROJECTION

©

REVISIONS				
ZONE	LTR	DESCRIPTION	DATE	APPROVED
	J1	REVISED PER ECO-11-005294	07APR 11	HMR



FOR .150 TO .230 INSULATION DIA.
TONGUE MATERIAL THK = .040 ±.002

OBSOLETE
INACTIVE ⓐ

QTY	DESCRIPTION	PART NO.	MATERIAL & FINISH
50	LOOSE PC. BOX	8-35273-2	INSULATION, SLEEVE, AND BODY: SAME AS 35273
1	ON TAPE	2-35273-3	INSULATION: GREEN PVC SLEEVE: COPPER (ASTM B152)
≠	WIRE TERMINAL	2-35273-1	BODY: COPPER (ASTM B152) TIN PL (ASTM B545)
1	35273 ON TAPE	2-35273-2	INSULATION: YELLOW NYLON SLEEVE: COPPER (ASTM B152)
1	WIRE TERMINAL	35273	BODY: COPPER (ASTM B152) TIN PL (ASTM B545)

UNLESS OTHERWISE SPECIFIED DIMENSIONS ARE IN INCHES TOLERANCES ON: DECIMALS ±.008 ANGLES ±5°		CONTRACT NO. _____		TE Connectivity	
MATERIAL		DR <i>Wayne Millhous</i> 4-23-70	CHK <i>M. Ensign</i> 5-19-70		
SEE TABLE		APPD <i>W. White</i> 5-19-70	REL <i>A. Young</i> 5-19-70	WIRE TERMINAL P.I.D.G. - RING TONGUE WIRE SIZE: 12-10	
		DSGN APPD	OTHER APPD	SIZE	CODE IDENT NO. NUMBER
				B	00779 35273
		SCALE N.T.S.		SHEET 1 OF 1	

CUSTOMER DRAWING

D
C
B
A
G
G
PRINT DIST