



Chipsmall Limited consists of a professional team with an average of over 10 year of expertise in the distribution of electronic components. Based in Hongkong, we have already established firm and mutual-benefit business relationships with customers from,Europe,America and south Asia,supplying obsolete and hard-to-find components to meet their specific needs.

With the principle of “Quality Parts,Customers Priority,Honest Operation,and Considerate Service”,our business mainly focus on the distribution of electronic components. Line cards we deal with include Microchip,ALPS,ROHM,Xilinx,Pulse,ON,Everlight and Freescale. Main products comprise IC,Modules,Potentiometer,IC Socket,Relay,Connector.Our parts cover such applications as commercial,industrial, and automotives areas.

We are looking forward to setting up business relationship with you and hope to provide you with the best service and solution. Let us make a better world for our industry!



Contact us

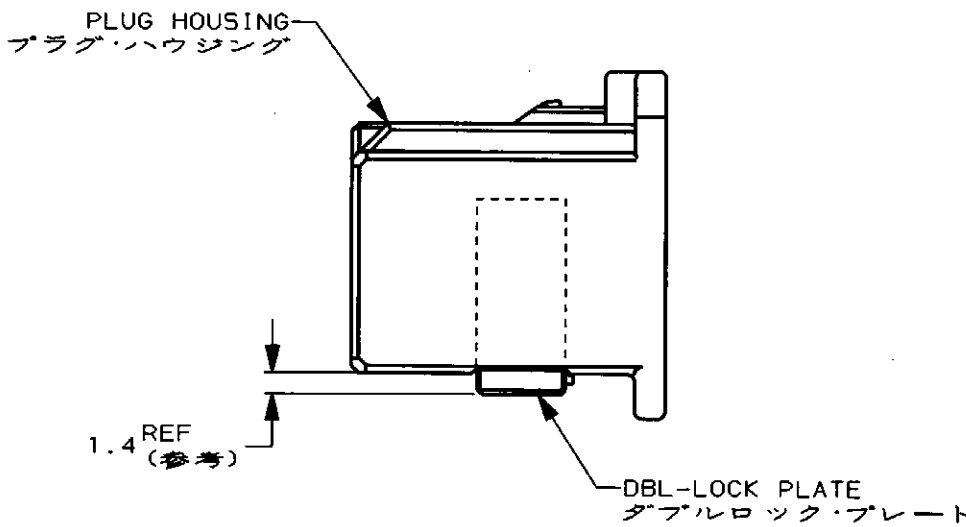
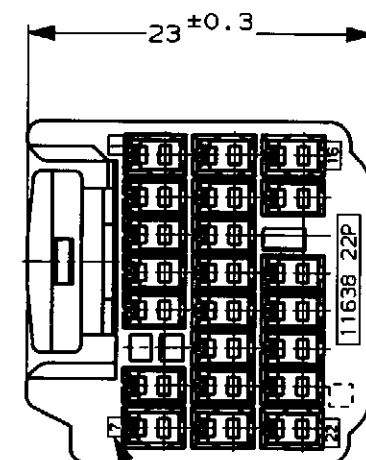
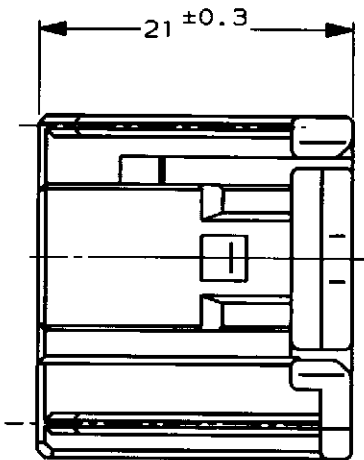
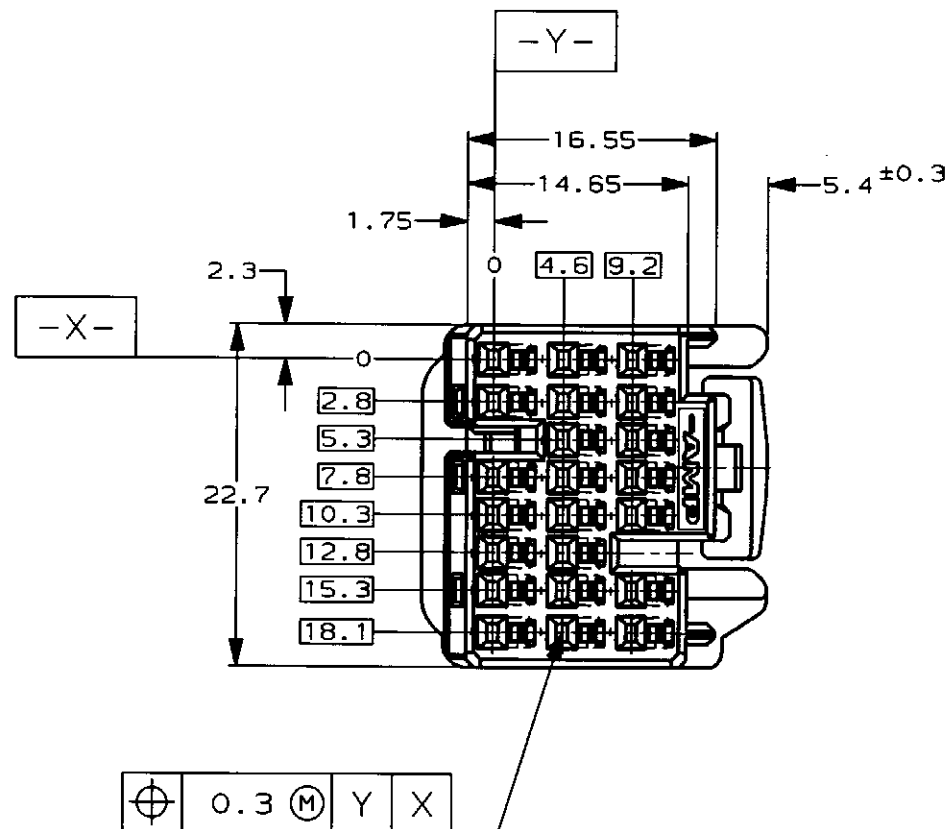
Tel: +86-755-8981 8866 Fax: +86-755-8427 6832

Email & Skype: info@chipsmall.com Web: www.chipsmall.com

Address: A1208, Overseas Decoration Building, #122 Zhenhua RD., Futian, Shenzhen, China



LOC		DIST		REVISIONS				
P	LTR	DESCRIPTION	ECN	DATE	DWN	APVD		
J	-	0	DRAWN	FJ00-4999-96	7/5'96	HY	NS	
		A	ADDED -2	FJ00-5007-96	7/23'96	HY	NS	
		B	REVISED	FJ00-0606-97	16APR97	HY	NS	



- PART NUMBER OF CAP HOUSINGS TO BE MATED;
353015, 353016
- DETAILS OF CAVITIES; SEE TABLE-1

- 嵌合相手ハウジング型番;
353015, 353016
- キャビティ構成は、TABLE-1 参照

TABLE-1

CAVITY キャビティ	POS. 極数	CIRCUIT NO 回路番号	APPLIED CONTACT P/N 適用端子型番	APPLICABLE WIRE RANGE 適用電線
	16	2-6	316836, 316837	AVSS/CAVS 0.3~0.5mm ² CAVUS 0.3~0.5mm ²
		9-14 17-21		
	6	1, 7, 8	316836, 316837	AVS 0.5mm ² AVSS/CAVS 0.85~1.25mm ² CAVUS 1.25mm ²
		15, 16, 22		

THIS DRAWING IS A CONTROLLED DOCUMENT FOR AMP INCORPORATED. IT IS SUBJECT TO CHANGE AND THE CONTROLLING ENGINEERING ORGANIZATION SHOULD BE CONTACTED FOR THE LATEST REVISION.

DIMENSIONS 単位: 概 mm	TOLERANCES UNLESS OTHERWISE SPECIFIED 一般公差 10% ±0.2 30% ±0.25 100% ±0.3 ANGLE: ±3°
MATERIAL 材料	COLOR 色
PBT	SEE TABLE 表参照

DWN 7/5'96 H. YAMAGAMI
CHK 7/5'96 T. KOHNO
APVD 7/5'96 N. SAI
PRODUCT SPEC 製品規格 108-5529
APPLICATION SPEC 取付適用規格 114-5217
WEIGHT 5.0g
CUSTOMER DRAWING

BLACK (黒)	353028-2
NATURAL (自然色)	353028-1
COLOR (色)	PART NUMBER (型番)
AMP 日本エー・エム・ピー株式会社 Kawasaki, Japan	
.040III HIGH DENSITY CONNECTOR 22P PLUG HOUSING ASSY	
SIZE A3	CAGE CODE 00779
DRAWING NO ③-353028	
SCALE 尺度 2-1	SHEET 1 OF 1
REV B	