



Chipsmall Limited consists of a professional team with an average of over 10 year of expertise in the distribution of electronic components. Based in Hongkong, we have already established firm and mutual-benefit business relationships with customers from,Europe,America and south Asia,supplying obsolete and hard-to-find components to meet their specific needs.

With the principle of “Quality Parts,Customers Priority,Honest Operation,and Considerate Service”,our business mainly focus on the distribution of electronic components. Line cards we deal with include Microchip,ALPS,ROHM,Xilinx,Pulse,ON,Everlight and Freescale. Main products comprise IC,Modules,Potentiometer,IC Socket,Relay,Connector.Our parts cover such applications as commercial,industrial, and automotives areas.

We are looking forward to setting up business relationship with you and hope to provide you with the best service and solution. Let us make a better world for our industry!



Contact us

Tel: +86-755-8981 8866 Fax: +86-755-8427 6832

Email & Skype: info@chipsmall.com Web: www.chipsmall.com

Address: A1208, Overseas Decoration Building, #122 Zhenhua RD., Futian, Shenzhen, China



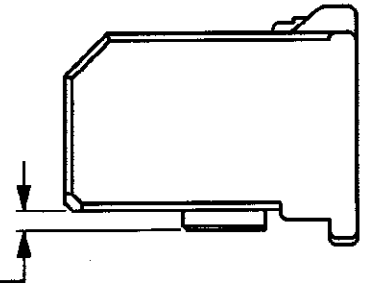
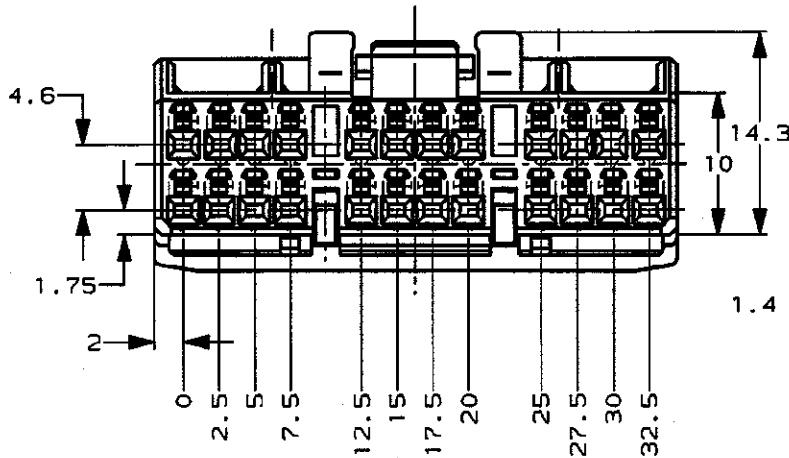
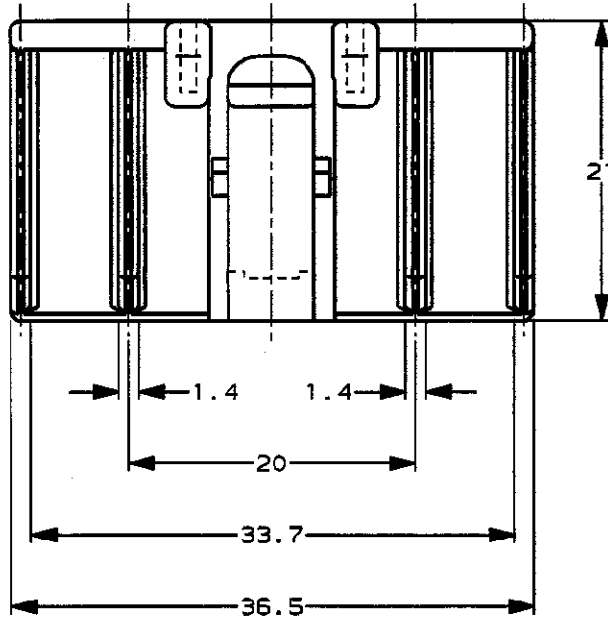
/auto2/new/u.d99-0081 u.customer/s.c-353107

NUMBER
C-353107



METRIC

単位: ㎜ DIMENSIONS IN MM. DO NOT SCALE PRINT



175265 175266 (Au)	353105	黒 BLACK	353107-2
適用端子型番 APPLICABLE CONTACT PART NUMBER	嵌合相手型番 MATING HOUSING PART NUMBER	色 COLOR	型番 PART NUMBER

Copyright ©1995 AMP (Japan), LTD.
ALL RIGHTS RESERVED.

AMP
日本エー・एम・ピー株式会社
Tokyo, Japan

一般公差
(GENERAL TOLERANCE)
10以下: ±0.2
10を超え 30以下: ±0.25
30を超え 100以下: ±0.3
角 度: ±3°

PRODUCT SPEC
製品規格
108-5452

INSPECTION SHEET
取換用紙
411-5761

材料 (MATERIAL)
PBT

仕上げ (FINISH)

A 壁高 変更 (FJ00-0933-99)	ES	MT	7/31/99	尺度 (SCALE)	LOC	番号 (No.)	REV.	SHEET
O 作成 (FJ00-4387-96)	KH	TS	7/31/96	2-1	A	J	C-353107	A
LTR 変更 (REVISION RECORD)	DR	CHK	DATE					1 OF 1
DR. K. HAYASHI	DE. T. SAGAWA	7/31/96		名称 (NAME) .04011 SRS MULTI-LOCK CONN. 24Pos. PLUG HSG ASSY .04011 シリーズ マルチロック コネクタ 24極 プラグハウジング アッセンブリ				
CHK. T. SAGAWA	APP. K. ODA	7/31/96						

AMP-J010-1C
REV. 37/93
FJ035680

(CUSTOMER DRAWING) 参 考 面