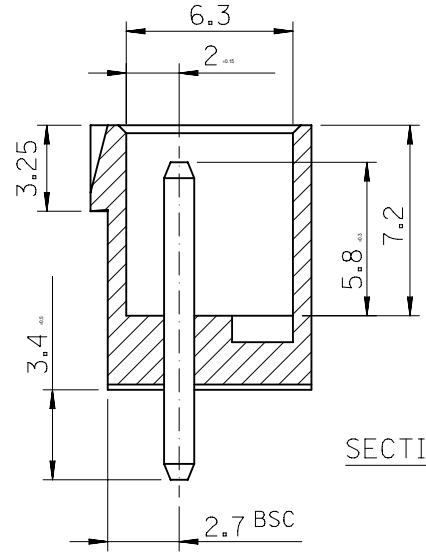
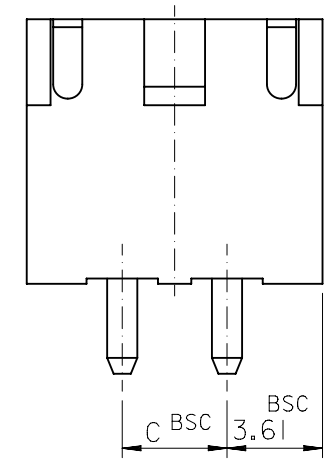
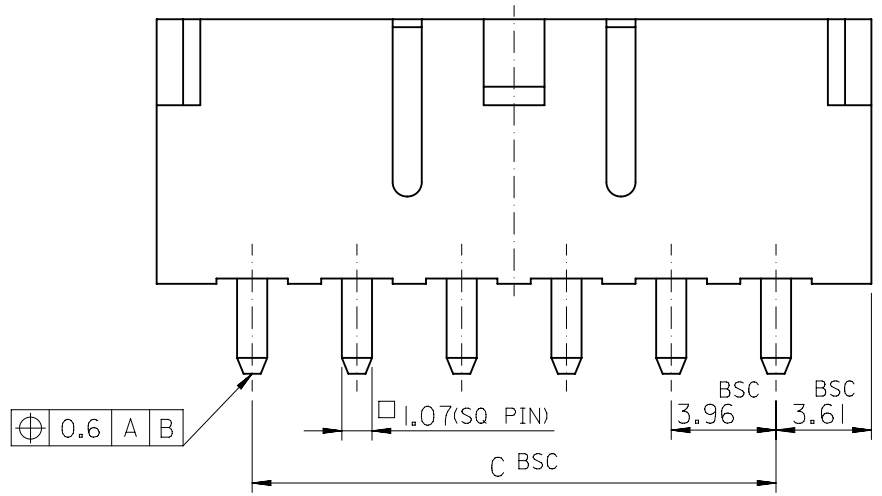
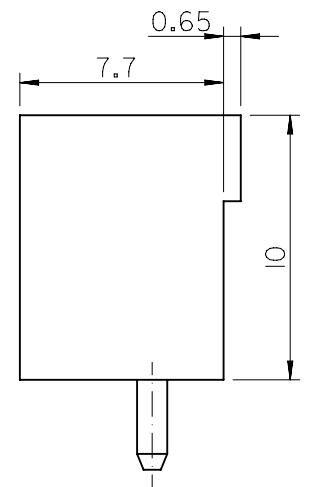
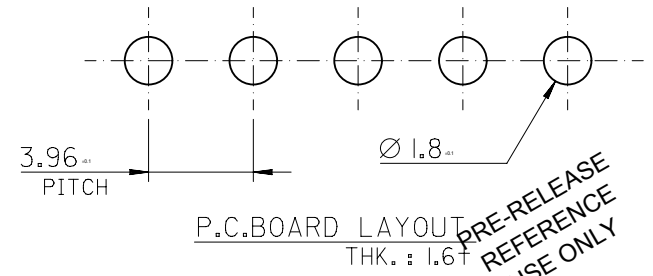
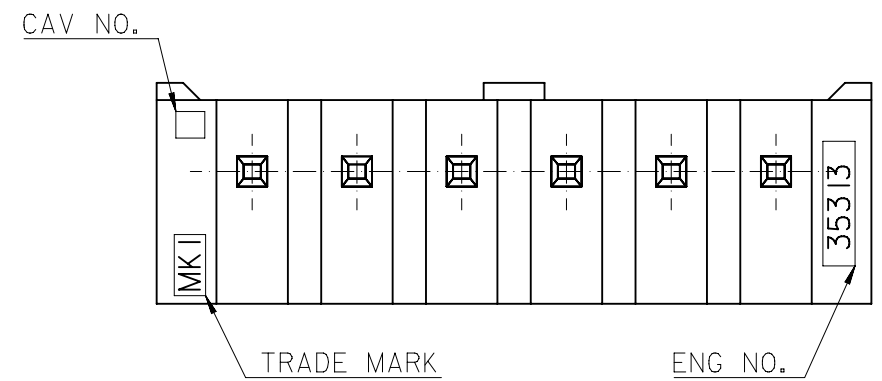


NOTE
 1. MATERIAL : WAFER : NYLON66, GLASS FILLED 20%
 PIN : BRASS, TIN PLATED
 2. LEGEND
 35313-*** 6 *
 COLOR : 0 - NATURAL
 1 - BLACK
 2 - RED
 3 - YELLOW
 4 - BLUE
 CKT NO.(02,03,04...)
 3. THIS PRODUCT SHALL BE COMPLIED WITH
 RoHS COMPATIBLE(LEAD FREE SOLDERABILITY)



2 CKT ONLY



27.72	32.94	34.94	35313-086*	8
23.76	28.98	30.98	-076*	7
19.8	25.02	27.02	-066*	6
15.84	21.06	23.06	-056*	5
11.88	17.1	19.1	-046*	4
7.92	13.14	15.14	-036*	3
3.96	9.18	11.18	35313-026*	2
C	B	A	ENG NO.	CKT NO.

FUNCTIONAL SYMBOLS FA=0 EA=0 EP=0	THIS DRAWING CONTAINS INFORMATION THAT IS PROPRIETARY TO MOLEX ELECTRONIC TECHNOLOGIES, LLC AND SHOULD NOT BE USED WITHOUT WRITTEN PERMISSION		molex	
	CURRENT REV DESC: OBSOLETE PART NUMBERS AS PER PCN#510806			
	GENERAL TOLERANCES (UNLESS SPECIFIED)		3.96 PITCH W/B CONN. WAFER ASS	
	PRODUCT CUSTOMER DRAWING		DOCUMENT NUMBER: SD-35313-001	
DIVISIONAL SYMBOLS		EC NO: 733771		
4 PLACES ± 0.0 ±		DRWN: ANIKES1		
3 PLACES ± 0.0 ±		2023/01/16		
2 PLACES ± 0.2 ±		CHK'D: GGA		
1 PLACE ± 0.2 ±		2023/02/24		
0 PLACES ± ±		APPR: GGA		
ANGULAR TOL ± °		INITIAL REVISION:		
DRAFT WHERE APPLICABLE MUST REMAIN WITHIN DIMENSIONS		DRWN: KSKIM		
THIRD ANGLE PROJECTION		2004/10/11		
DRAWING		2004/10/12		
SERIES		MATERIAL NUMBER		
B-SIZE		SEE TABLE		
35313		CUSTOMER		
GENERAL MARKET		SHEET NUMBER		
1 OF 1				