



Chipsmall Limited consists of a professional team with an average of over 10 year of expertise in the distribution of electronic components. Based in Hongkong, we have already established firm and mutual-benefit business relationships with customers from,Europe,America and south Asia,supplying obsolete and hard-to-find components to meet their specific needs.

With the principle of “Quality Parts,Customers Priority,Honest Operation,and Considerate Service”,our business mainly focus on the distribution of electronic components. Line cards we deal with include Microchip,ALPS,ROHM,Xilinx,Pulse,ON,Everlight and Freescale. Main products comprise IC,Modules,Potentiometer,IC Socket,Relay,Connector.Our parts cover such applications as commercial,industrial, and automotives areas.

We are looking forward to setting up business relationship with you and hope to provide you with the best service and solution. Let us make a better world for our industry!



## Contact us

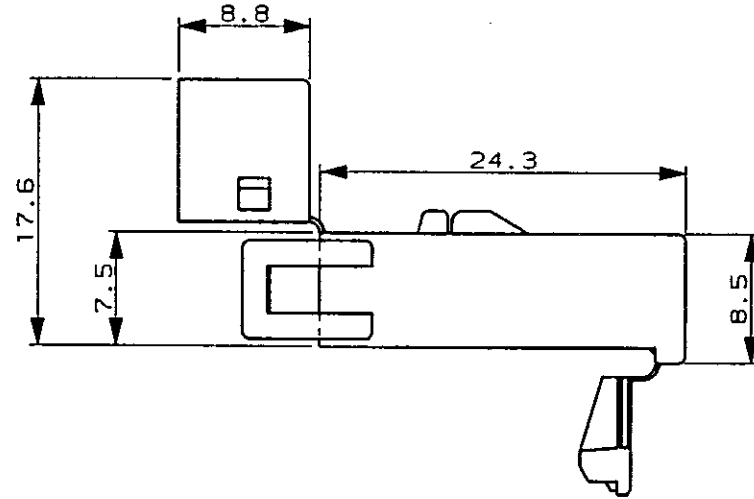
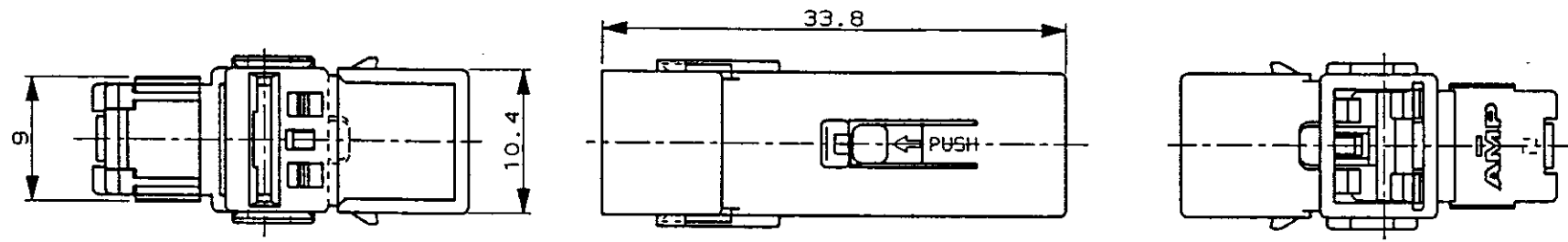
Tel: +86-755-8981 8866 Fax: +86-755-8427 6832

Email & Skype: info@chipsmall.com Web: www.chipsmall.com

Address: A1208, Overseas Decoration Building, #122 Zhenhua RD., Futian, Shenzhen, China

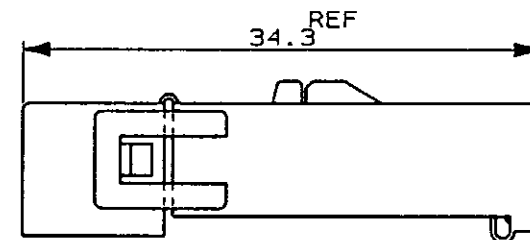


P	LTR	DESCRIPTION	ECN	DATE	DWN	APVD
0		RELEASED	FJ00-4548-96	7/18 '96	JK	KD



NOTE;

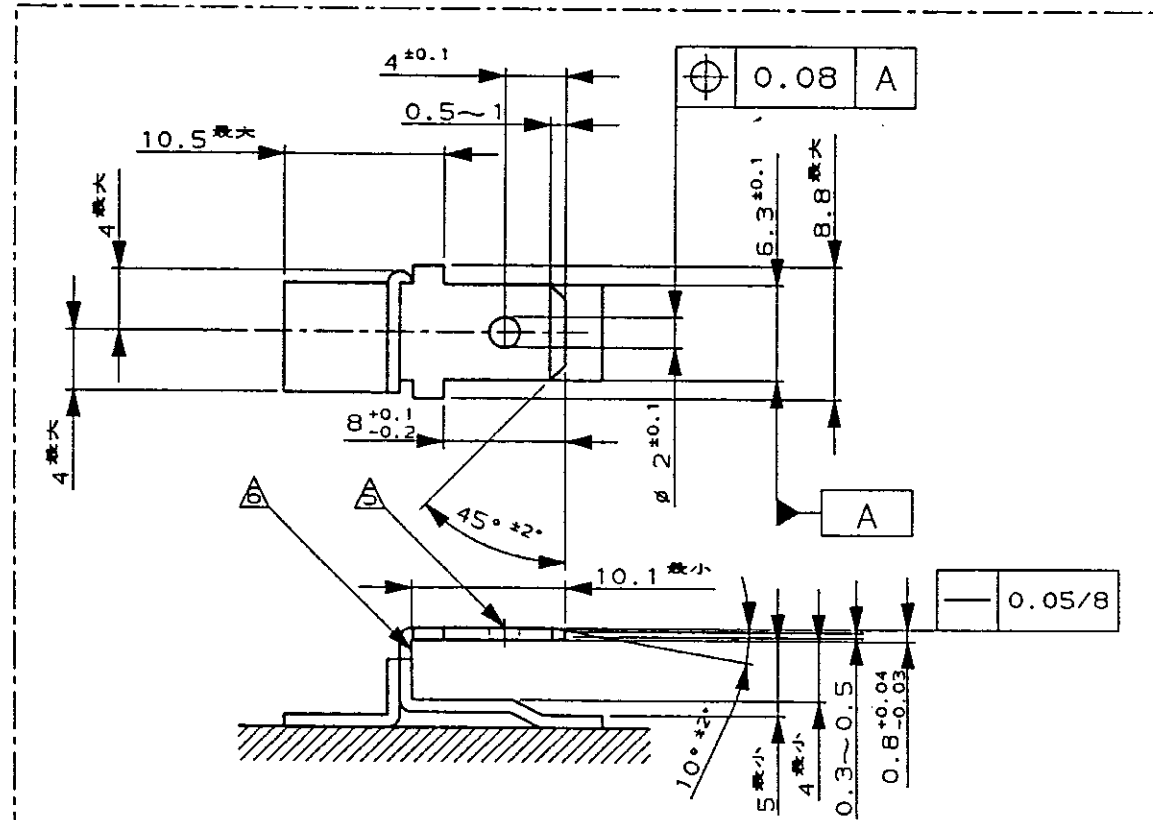
- 1 PRODUCT SPEC NO.108-5150
  - 2 APPLICATION SPEC NO.114-5060
  - 3 CUSTOMER MANUAL NO.CM-154J
  - 4 APPLIED CONTACT P/N 170452,170454,
- △ WORKMANSHIP OF THE TAB HOLE EDGES MUST BE SUCH THAT EDGES MUST BE FREE FROM THE BURRS, WITH THE SHEAR DROOP NOT EXCEEDING 0.1 MILLIMETER
- △ CLEARANCE LINE FOR TAB TO MATE WITH COUNTERPART HOUSING



ヒンジロック時寸法

注 :

- 1 製品規格番号 : 108-5150
  - 2 取付適用規格番号 : 114-5060
  - 3 取扱説明番号 : CM-154J
  - 4 適用コンタクト型番 : 170452,170454,
- △ タブ穴加工の際バリが無く、穴のダレは0.1を越えないこと。
- △ この部分逆ハウジングが挿入されるための必要スペース。



タブ寸法推奨図  
RECOMMENDED MATING TAB DESIGN

(FINISH) PLAIN OR ELECTRO-TIN  
仕上 : メッキなし又は錫メッキ  
(MATERIAL) 70/30 BRASS, 0.8MM THK  
材料 : 7/3黄銅0.8t JIS-3100C-2600P-1/2H

THIS DRAWING IS A CONTROLLED DOCUMENT FOR AMP INCORPORATED. IT IS SUBJECT TO CHANGE AND THE CONTROLLING ENGINEERING ORGANIZATION SHOULD BE CONTACTED FOR THE LATEST REVISION.		CHK <i>R. Royama</i> 7/18 '96	APVD <i>K. O. d.</i> 7/18 '96	NAME 名称 .250 POSITIVE LOCK 1Pos. PLUG HSG. LOW-PRO TYPE (WITH TAB COVER) .250 ポジティブロック 1極 プラグハウジング ロープロタイプ(タブカバー付き)
DIMENSIONS 単位: 概 mm	TOLERANCES UNLESS OTHERWISE SPECIFIED 一般公差 10% : ±0.2 30% : ±0.25 100% : ±0.3 ANGLE : ±0.3°	PRODUCT SPEC 製品規格 108-5150	APPLICATION SPEC 取付適用規格 114-5060	SIZE A3
MATERIAL 材料 66 ナイロン (66NYRON)	FINISH 仕上	WEIGHT 1.4g	CUSTOMER DRAWING	CAGE CODE 00779
			DRAWING NO. 番号 C-353171	SCALE 尺度 2:1
			SHEET 1 OF 1	REV 0

黒 (BLACK)	353171-2
色 (COLOR)	製品型番 (PART NO.)
<b>AMP</b> 日本エー・エム・シー株式会社 Kawasaki, Japan	
DRAWING NO. 番号 C-353171	