



Chipsmall Limited consists of a professional team with an average of over 10 year of expertise in the distribution of electronic components. Based in Hongkong, we have already established firm and mutual-benefit business relationships with customers from,Europe,America and south Asia,supplying obsolete and hard-to-find components to meet their specific needs.

With the principle of “Quality Parts,Customers Priority,Honest Operation,and Considerate Service”,our business mainly focus on the distribution of electronic components. Line cards we deal with include Microchip,ALPS,ROHM,Xilinx,Pulse,ON,Everlight and Freescale. Main products comprise IC,Modules,Potentiometer,IC Socket,Relay,Connector.Our parts cover such applications as commercial,industrial, and automotives areas.

We are looking forward to setting up business relationship with you and hope to provide you with the best service and solution. Let us make a better world for our industry!



Contact us

Tel: +86-755-8981 8866 Fax: +86-755-8427 6832

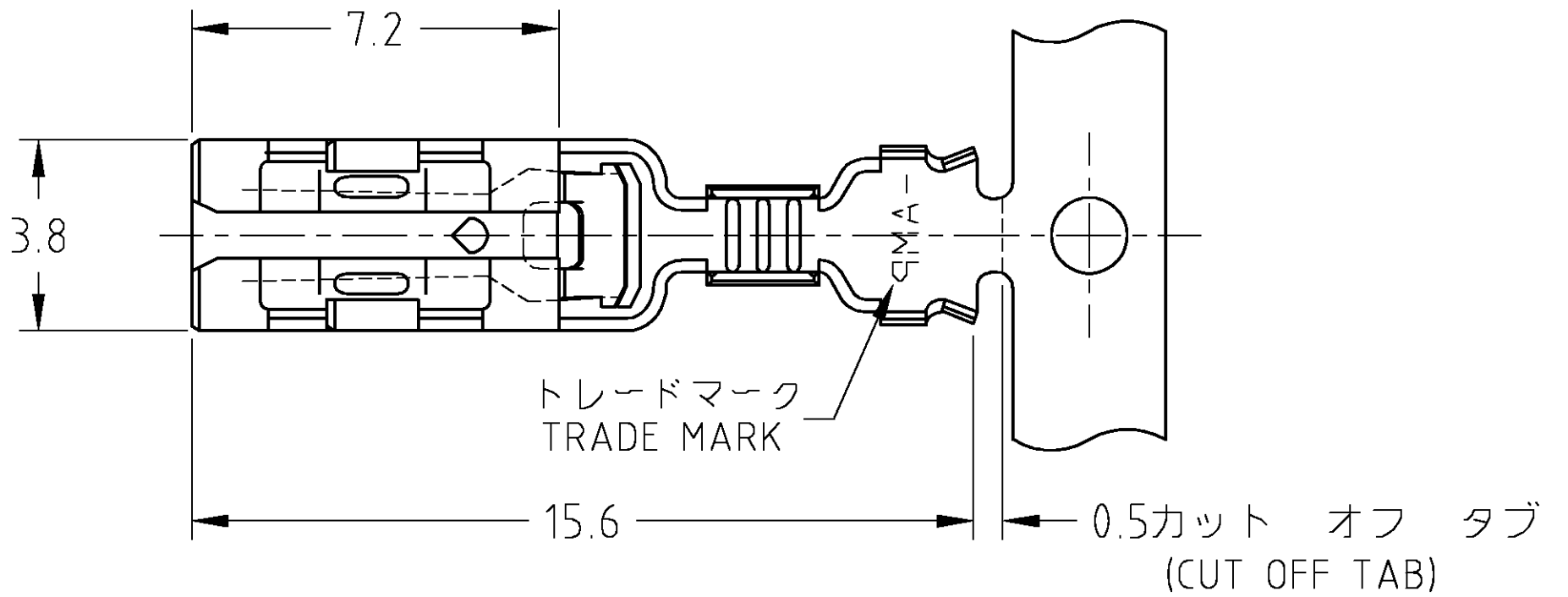
Email & Skype: info@chipsmall.com Web: www.chipsmall.com

Address: A1208, Overseas Decoration Building, #122 Zhenhua RD., Futian, Shenzhen, China

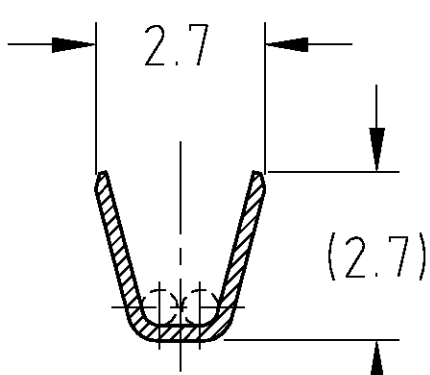
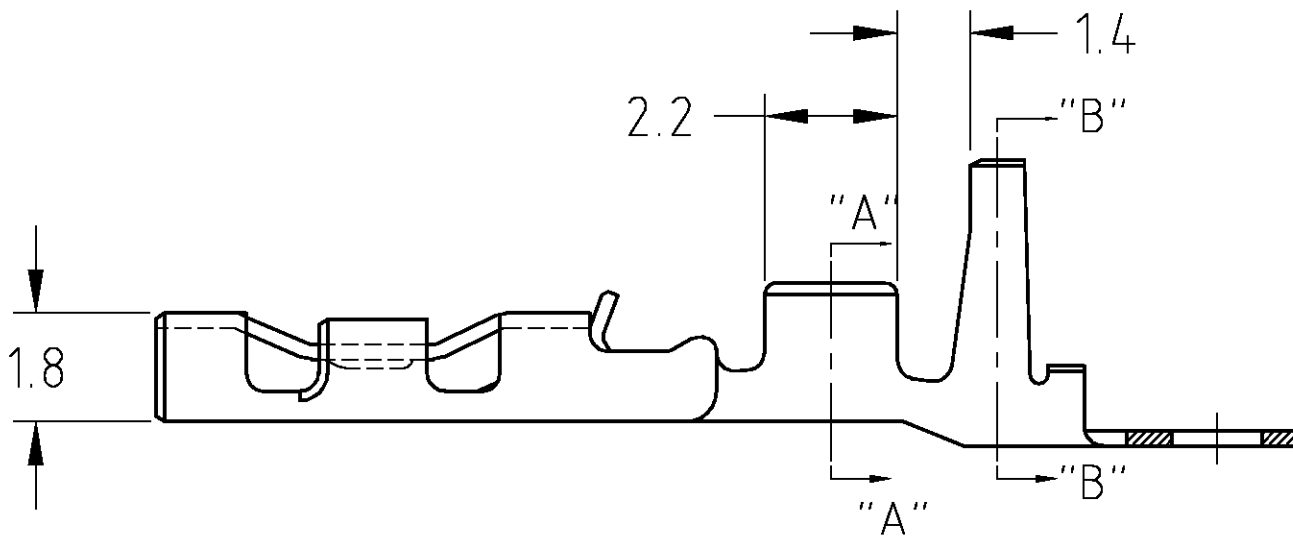
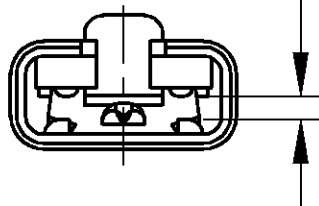


THIS DRAWING IS UNPUBLISHED. RELEASED FOR PUBLICATION
 © COPYRIGHT BY TYCO ELECTRONICS CORPORATION. ALL RIGHTS RESERVED.

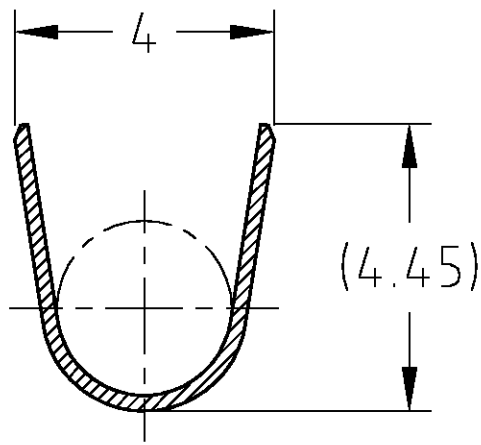
LOC	DIST	REVISIONS						
		P	LTR	DESCRIPTION	DATE	DWN	APVD	
J	-	C		REDRAWN WITH CHANGE	ECR-05-001287	20APR.'05	J.S	N.Y



110シリーズ・タブにカン合
 MATING FOR 110 SERIES TAB



断面 "A" - "A"
 SECT



断面 "B" - "B"
 SECT

錫めっき済・燐青銅 (PRE-TIN PHOS-BRO)	353250-2
材料 (MATERIAL)	型番 (P/N)

WIRE RANGE 抱合電線断面積 0.5~1.25mm ² (AWG#20~#16)	INSULATION DIA 被覆外径 2.0~3.1 DIA
---	---------------------------------------

THIS DRAWING IS A CONTROLLED DOCUMENT.		DWN J.SATO 20APR2005	 Tyco Electronics AMP K.K. Kawasaki, Japan				
DIMENSIONS: 単位: 耗 mm		CHK M.SUZUKI 20APR2005					
TOLERANCES UNLESS OTHERWISE SPECIFIED: 一般公差		APVD N.YAMASAKI 20APR2005					
<table border="1"> <tr> <td>10 ≥ ± 0.2</td> <td>30 ≥ >10 ± 0.25</td> </tr> <tr> <td>100 ≥ >30 ± 0.3</td> <td>± 0.3</td> </tr> </table>		10 ≥ ± 0.2	30 ≥ >10 ± 0.25	100 ≥ >30 ± 0.3	± 0.3	PRODUCT SPEC 製品規格 108-5530	NAME 名称 110 SERIES POSITIVE LOCK EX-III REC CONTACT(DOUBLE LOCK TYPE)
10 ≥ ± 0.2	30 ≥ >10 ± 0.25						
100 ≥ >30 ± 0.3	± 0.3						
MATERIAL 材料 SEE TABLE		FINISH 仕上	APPLICATION SPEC 取付適用規格 114-5229				
WEIGHT		SIZE A3	CAGE CODE 00779				
CUSTOMER DRAWING		DRAWING NO 番号 C-353250	RESTRICTED TO -				
SCALE 尺度 8:1		SHEET 1 OF 1	REV C				