



Chipsmall Limited consists of a professional team with an average of over 10 year of expertise in the distribution of electronic components. Based in Hongkong, we have already established firm and mutual-benefit business relationships with customers from,Europe,America and south Asia,supplying obsolete and hard-to-find components to meet their specific needs.

With the principle of “Quality Parts,Customers Priority,Honest Operation,and Considerate Service”,our business mainly focus on the distribution of electronic components. Line cards we deal with include Microchip,ALPS,ROHM,Xilinx,Pulse,ON,Everlight and Freescale. Main products comprise IC,Modules,Potentiometer,IC Socket,Relay,Connector.Our parts cover such applications as commercial,industrial, and automotives areas.

We are looking forward to setting up business relationship with you and hope to provide you with the best service and solution. Let us make a better world for our industry!



Contact us

Tel: +86-755-8981 8866 Fax: +86-755-8427 6832

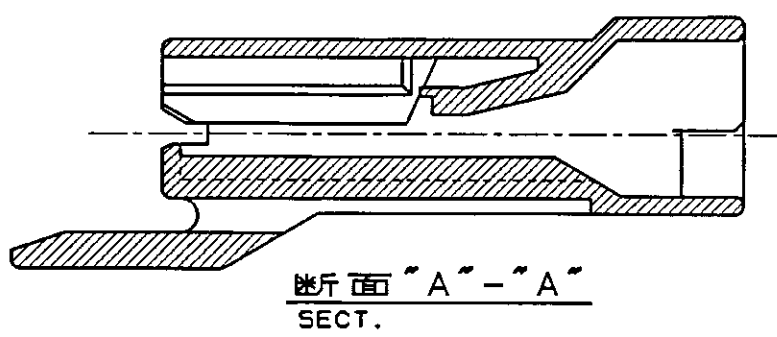
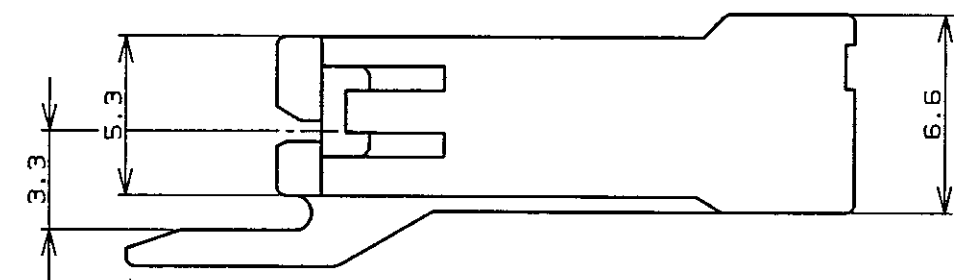
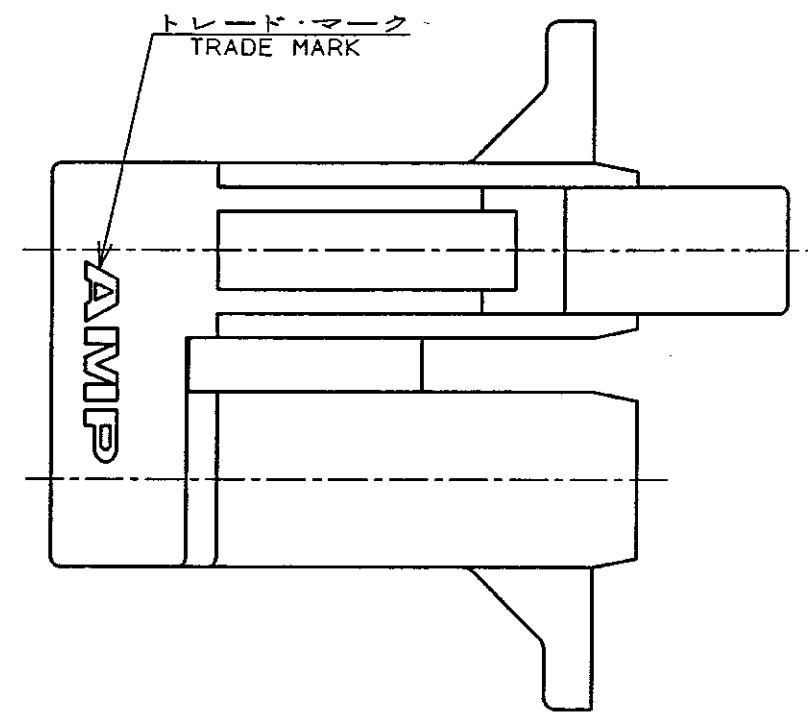
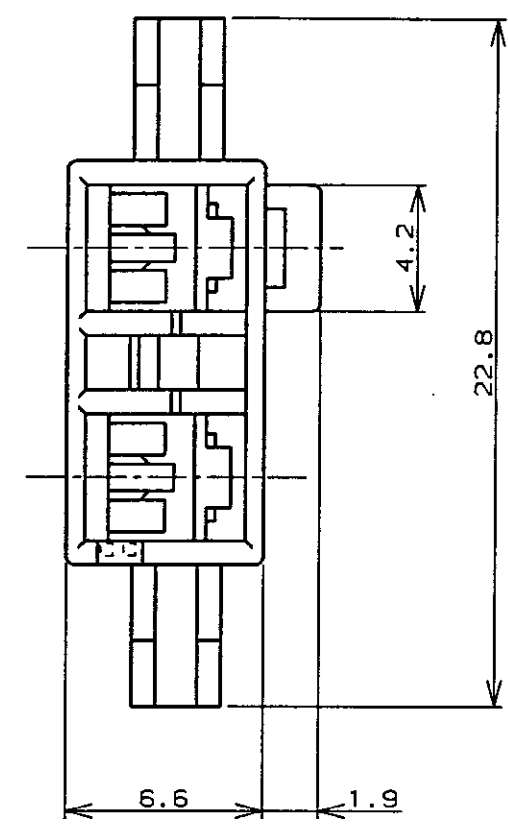
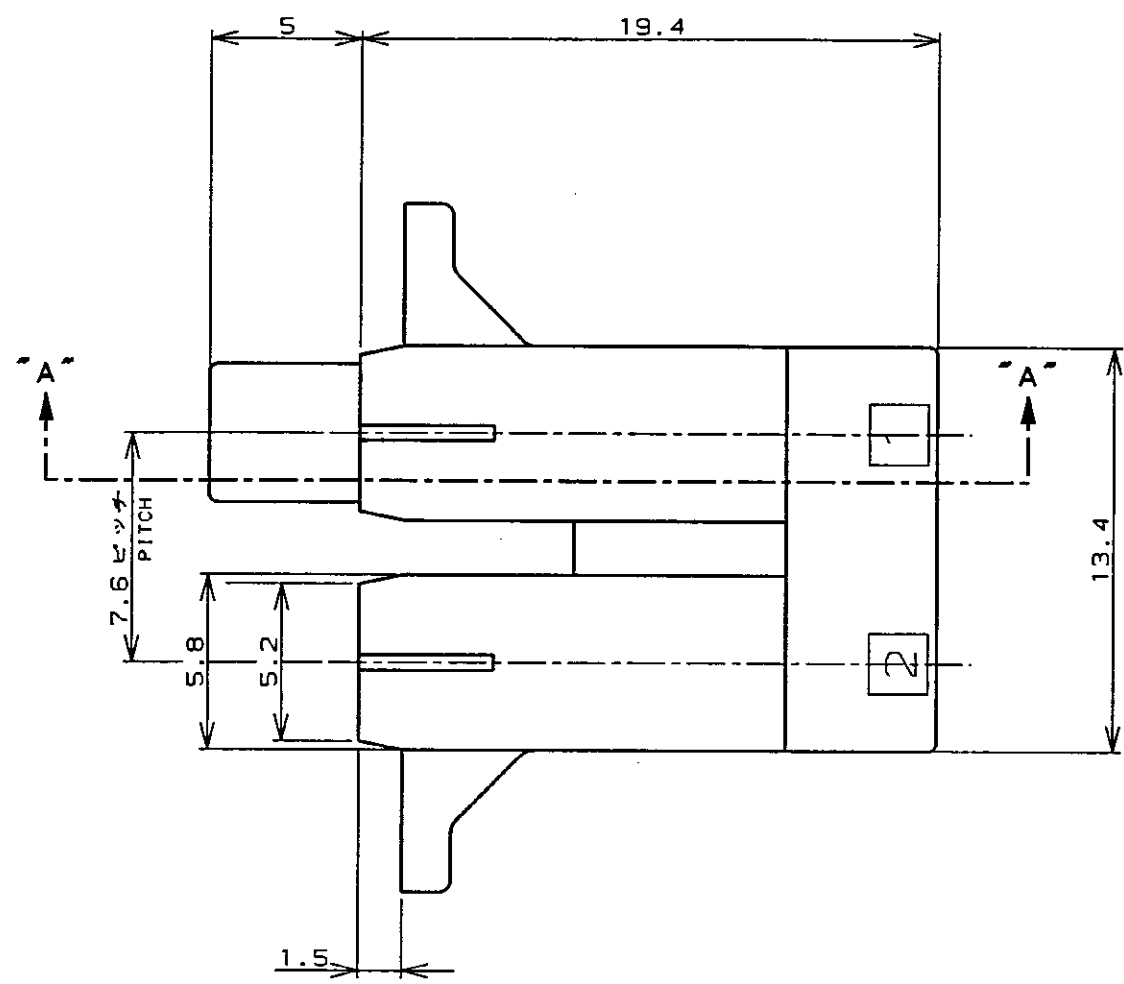
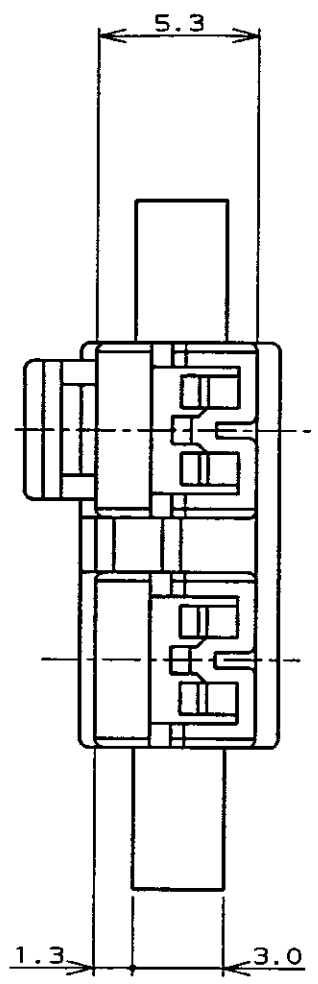
Email & Skype: info@chipsmall.com Web: www.chipsmall.com

Address: A1208, Overseas Decoration Building, #122 Zhenhua RD., Futian, Shenzhen, China



THIS DRAWING IS UNPUBLISHED. RELEASED FOR PUBLICATION .19
 (C) COPYRIGHT 19 BY AMP INCORPORATED. ALL RIGHTS RESERVED.

LOC		DIST		REVISIONS					
P	LTR	DESCRIPTION	ECN	DATE	OWN	APVD			
	0	RELEASED	FJ00-5195-96	23.AUG.'96	M.S	Y.K			
	A	REVISED	FJ00-5555-96	20 DEC '96	M.S	Y.K			



THIS DRAWING IS A CONTROLLED DOCUMENT FOR AMP INCORPORATED. IT IS SUBJECT TO CHANGE AND THE CONTROLLING ENGINEERING ORGANIZATION SHOULD BE CONTACTED FOR THE LATEST REVISION.		OWN	M. SUZUKI	23.AUG.'96
DIMENSIONS, 単位: 概 mm		CHK	Y. KASHIWA	23.AUG.'96
TOLERANCES UNLESS OTHERWISE SPECIFIED		APVD	H. TAGUCHI	26.AUG.'96
一般公差 10 μm : ±0.2 30 μm : ±0.25 100 μm : ±0.3 ANGLES : ±0.3°		PRODUCT SPEC	108-5530	
MATERIAL 材料		APPLICATION SPEC	114-5229	
6/6ナイロン (UL94V-0) 6/6 NYLON		WEIGHT	---	
FINISH 仕上		WIRE RANGE 包合電線断面積		
---		INSULATION DIA 被覆外径		
---		AMP 株式会社 Kawasaki, Japan		
---		NAME 名称		
---		110 シリーズ ポジティブ ロック EX-III ダブル ロック タイプ 2極 ハウジング 110 SERIES POSITIVE LOCK EX-III DOUBLE LOCK TYPE 2Pos. HOUSING		
---		SIZE	CAGE CODE	DRAWING NO 番号
---		A3	00779	353253
---		SCALE 尺度 1:4 SHEET 1 OF 1 REV A		
---		CUSTOMER DRAWING		