



Chipsmall Limited consists of a professional team with an average of over 10 year of expertise in the distribution of electronic components. Based in Hongkong, we have already established firm and mutual-benefit business relationships with customers from,Europe,America and south Asia,supplying obsolete and hard-to-find components to meet their specific needs.

With the principle of "Quality Parts,Customers Priority,Honest Operation,and Considerate Service",our business mainly focus on the distribution of electronic components. Line cards we deal with include Microchip,ALPS,ROHM,Xilinx,Pulse,ON,Everlight and Freescale. Main products comprise IC,Modules,Potentiometer,IC Socket,Relay,Connector.Our parts cover such applications as commercial,industrial, and automotives areas.

We are looking forward to setting up business relationship with you and hope to provide you with the best service and solution. Let us make a better world for our industry!



## Contact us

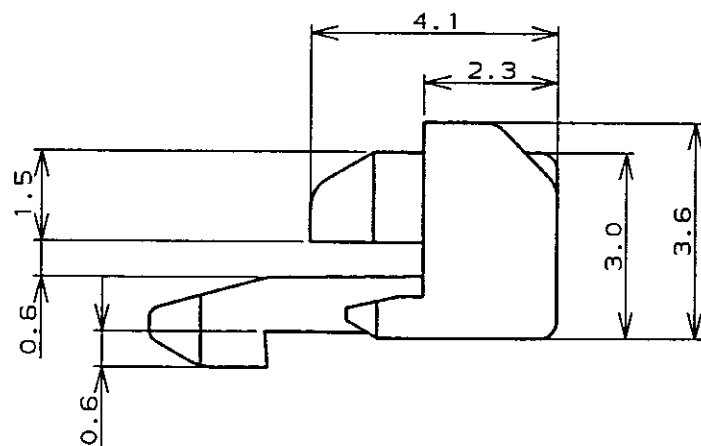
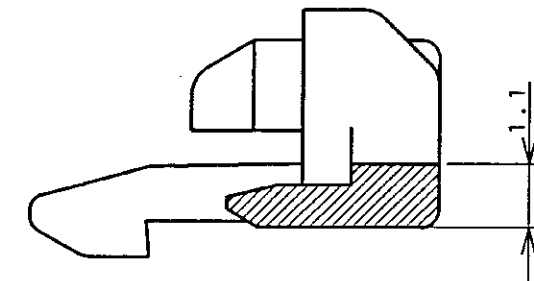
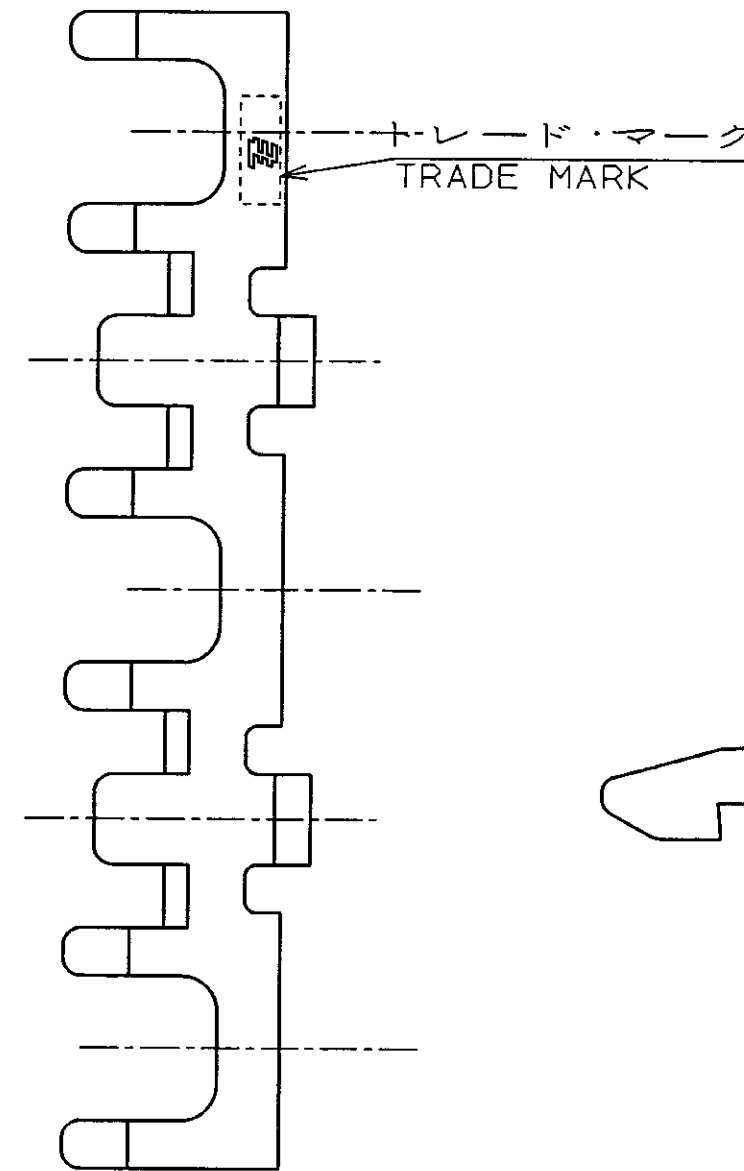
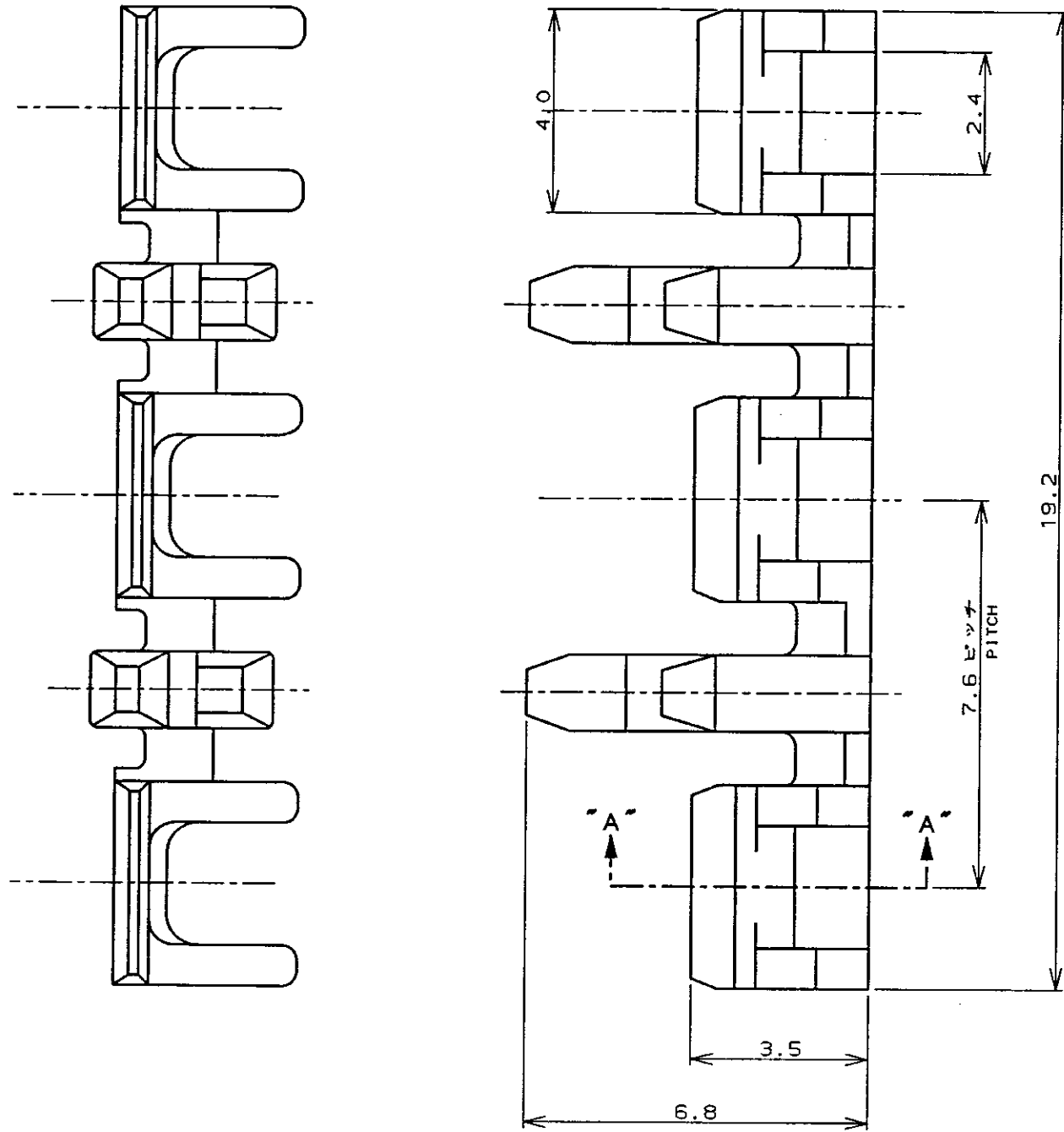
Tel: +86-755-8981 8866 Fax: +86-755-8427 6832

Email & Skype: info@chipsmall.com Web: www.chipsmall.com

Address: A1208, Overseas Decoration Building, #122 Zhenhua RD., Futian, Shenzhen, China



P	LTR	DESCRIPTION	DATE	DWN	APVD
B		REVISED PER ECR-10-022737	12NOV10	HMR	TM



THIS DRAWING IS A CONTROLLED DOCUMENT FOR AMP INCORPORATED. IT IS SUBJECT TO CHANGE AND THE CONTROLLING ENGINEERING ORGANIZATION SHOULD BE CONTACTED FOR THE LATEST REVISION.		DWN M. SUZUKI 23.AUG.'96 CHK Y. KASHIWA 23.AUG.'96 APVD H. TAGUCHI 26.AUG.'96
DIMENSIONS: 単位・経 mm	TOLERANCES UNLESS OTHERWISE SPECIFIED 一般公差 10% ±0.2 30% ±0.25 100% ±0.3 ANGLE: ±0.3°	MATERIAL 材料 6/6ナイロン ガラス強化 6/6 NYLON GF (UL94V-0)
	FINISH 仕上 //	WEIGHT //
CUSTOMER DRAWING		

自然色 (NATURAL)	353256-1
色調 (COLOR)	型番 (P/N)

WIRE RANGE 適合電線断面積	INSULATION DIA 被覆外径
<b>Tyco Electronics</b> 日本エー・エム・ゼー株式会社 Kawasaki, Japan	
NAME 名称 110 シリーズ ポジティブ ロック EX-III ダブル ロック プレート 3極 110 SERIES POSITIVE LOCK EX-III LOCK PLATE 3Pos	
SIZE	CAGE CODE
A3	00779
DRAWING NO 番号 C=353256	
SCALE 尺度	SHEET 1 OF 1
1:8	REV B