



Chipsmall Limited consists of a professional team with an average of over 10 year of expertise in the distribution of electronic components. Based in Hongkong, we have already established firm and mutual-benefit business relationships with customers from,Europe,America and south Asia,supplying obsolete and hard-to-find components to meet their specific needs.

With the principle of "Quality Parts,Customers Priority,Honest Operation,and Considerate Service",our business mainly focus on the distribution of electronic components. Line cards we deal with include Microchip,ALPS,ROHM,Xilinx,Pulse,ON,Everlight and Freescale. Main products comprise IC,Modules,Potentiometer,IC Socket,Relay,Connector.Our parts cover such applications as commercial,industrial, and automotives areas.

We are looking forward to setting up business relationship with you and hope to provide you with the best service and solution. Let us make a better world for our industry!



Contact us

Tel: +86-755-8981 8866 Fax: +86-755-8427 6832

Email & Skype: info@chipsmall.com Web: www.chipsmall.com

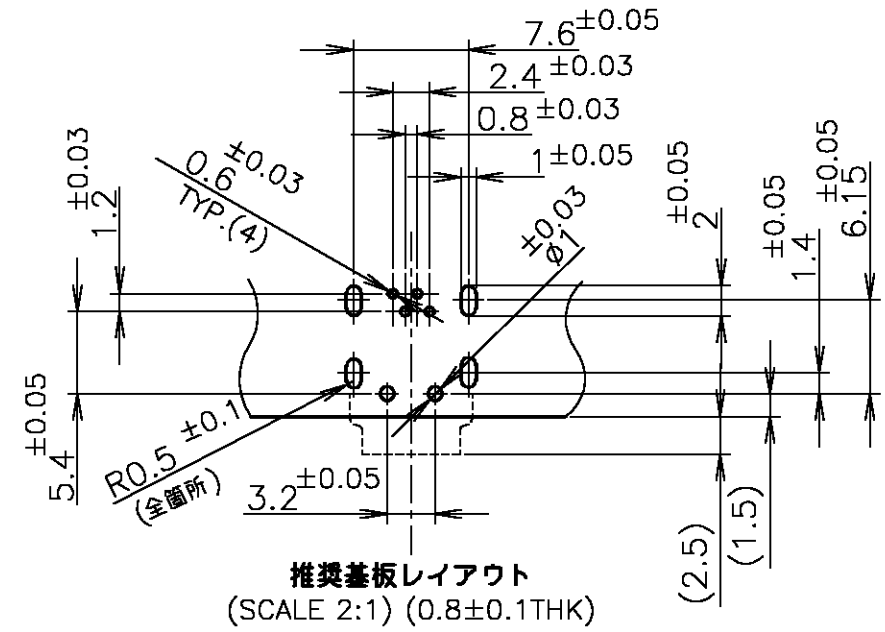
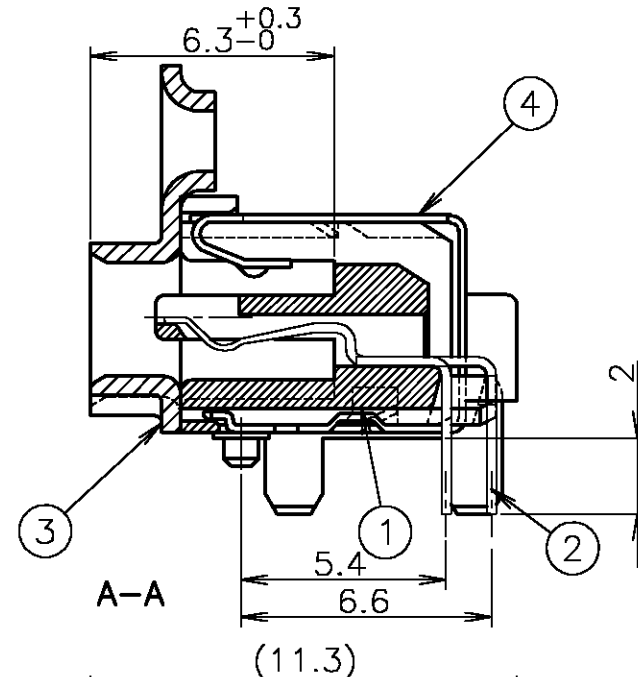
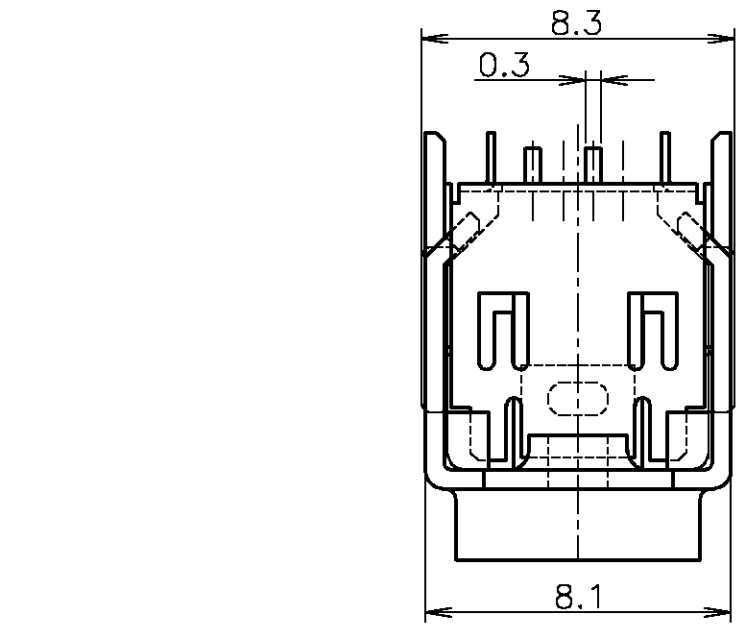
Address: A1208, Overseas Decoration Building, #122 Zhenhua RD., Futian, Shenzhen, China



THIS DRAWING IS UNPUBLISHED. RELEASED FOR PUBLICATION JUL, 1996. ALL RIGHTS RESERVED. COPYRIGHT 1996 BY TYCO ELECTRONICS CORPORATION.

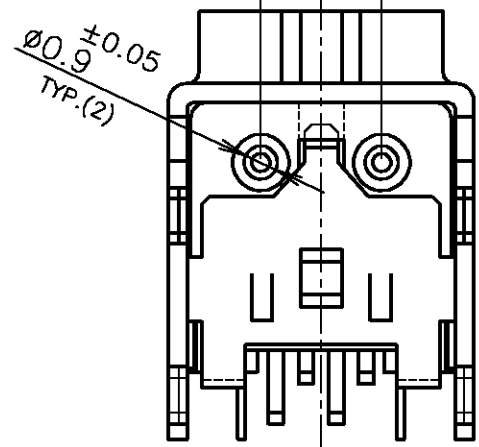
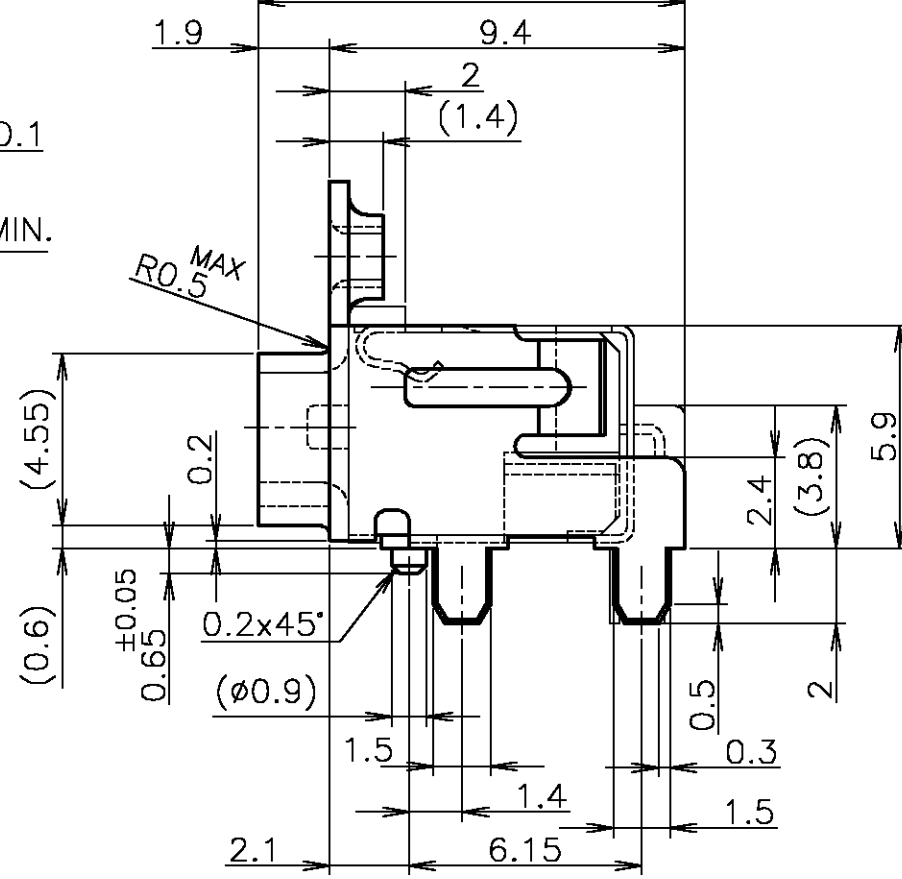
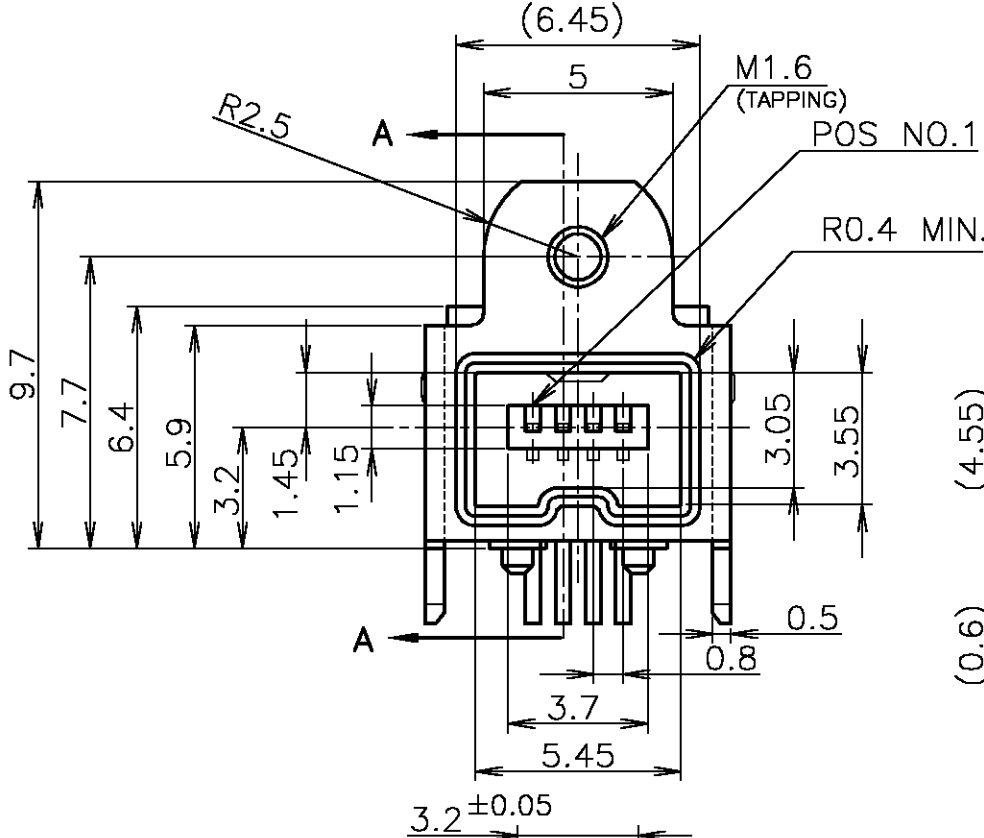
LOC	DIST	P	LTR	REVISIONS	DATE	DWN	APVD
J	/			変更			
			H	REVISED	FJB0-0366-03	15JAN04	J.T H.M
				DESCRIPTION			

-1: 本図 AS SHWN



- 1. ビス締め部推奨トルク; 19.6N・cm(2kgf・cm)
- 1. M1.6 TAP; 19.6N・cm(2kgf・cm) MAX.

NO.	NAME	MATERIAL	FINISH
(4)	BACK SHELL	りん青銅 PHOS-BRO	TIN: 0.002mm
(3)	FRONT SHELL	黄銅 BRASS	TIN: 0.002mm
(2)	CONTACT	銅合金 COPPER ALLOY	Ni UNDER PLATING: 0.00127mm MIN. CONTACT AREA: Au 0.0003mm MIN. SOLDERING AREA: TIN 0.002mm
(1)	HOUSING	6T ナイロン (UL94V-0)	BLACK



鉛フリー LEAD FREE

THIS DRAWING IS A CONTROLLED DOCUMENT.

DIMENSIONS: 単位: 概 MM	TOLERANCES UNLESS OTHERWISE SPECIFIED: 一般公差	DWN T.FUTATSUGI 17JUL96	tyco Electronics Tyco Electronics AMP K.K. Kawasaki, Japan
	0 PLC ± 0.3	CHK Y.YAMAMOTO 17JUL96	NAME 番号 REC HEADER 4POS DIP TYPE
	1 PLC ± 0.3	APVD S.KUBOUCHI 10DEC98	PRODUCT SPEC 製品規格 IEEE 1394 AV CONNECTOR (パネル取付タイプ)
	2 PLC ± 0.3	APPLICATION SPEC 取付適用規格	SIZE A3 CAGE CODE 00779 DRAWING NO. 番号 C-353388
	3 PLC ± 0.3	WEIGHT	RESTRICTED TO
	4 PLC ± 0.3	CUSTOMER DRAWING	SCALE 5:1 SHEET 1 OF 1 REV H
	ANGLES ± 3		
MATERIAL 材料 SEE TABLE	FINISH 仕上 SEE TABLE		