



Chipsmall Limited consists of a professional team with an average of over 10 year of expertise in the distribution of electronic components. Based in Hongkong, we have already established firm and mutual-benefit business relationships with customers from,Europe,America and south Asia,supplying obsolete and hard-to-find components to meet their specific needs.

With the principle of “Quality Parts,Customers Priority,Honest Operation,and Considerate Service”,our business mainly focus on the distribution of electronic components. Line cards we deal with include Microchip,ALPS,ROHM,Xilinx,Pulse,ON,Everlight and Freescale. Main products comprise IC,Modules,Potentiometer,IC Socket,Relay,Connector.Our parts cover such applications as commercial,industrial, and automotives areas.

We are looking forward to setting up business relationship with you and hope to provide you with the best service and solution. Let us make a better world for our industry!



Contact us

Tel: +86-755-8981 8866 Fax: +86-755-8427 6832

Email & Skype: info@chipsmall.com Web: www.chipsmall.com

Address: A1208, Overseas Decoration Building, #122 Zhenhua RD., Futian, Shenzhen, China



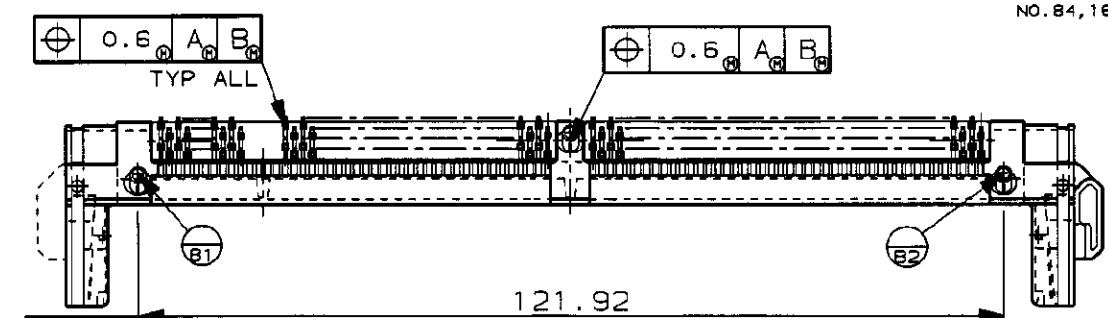
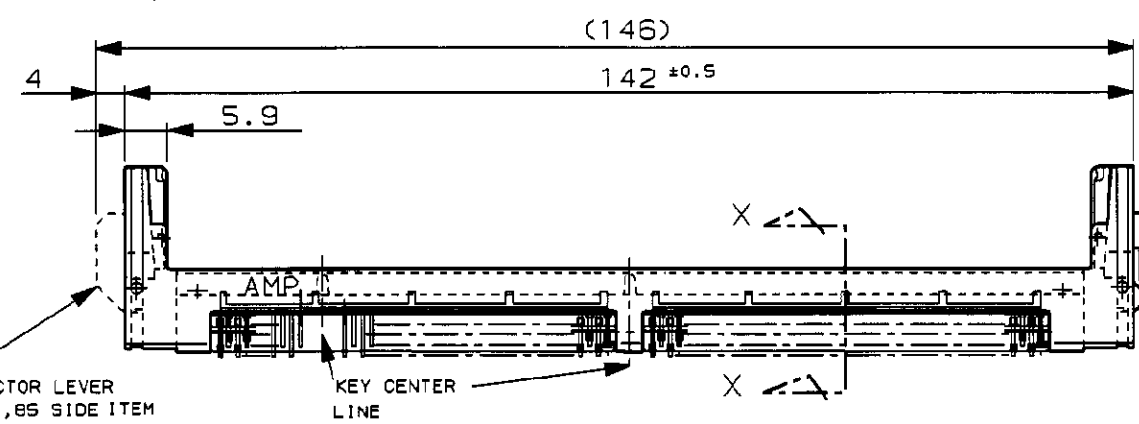
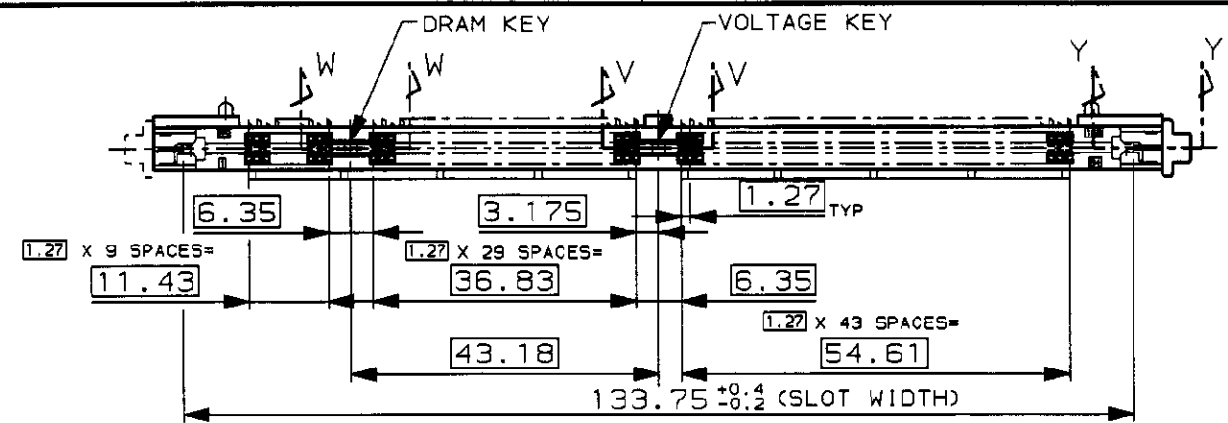
NUMBER
C-353476

METRIC
三 角法 (3rd ANGLE PROJECTION)

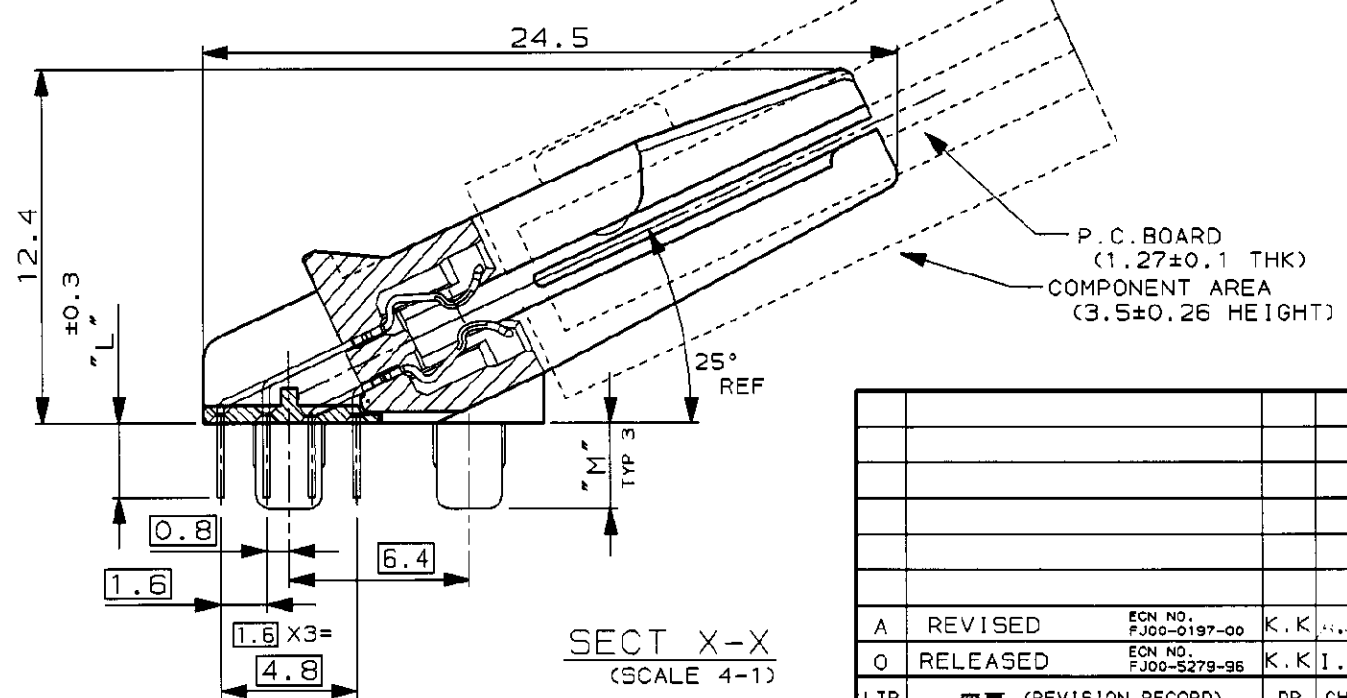
PROJECT NO. 696-105

PRINT DIST
単位: mm DIMENSIONS IN MM. DO NOT SCALE PRINT

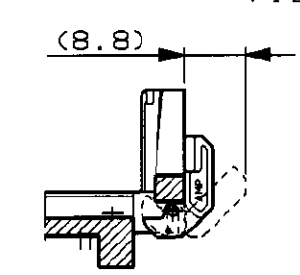
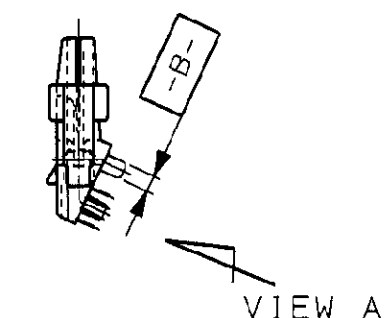
AMP-J010-2C
REV. 3/93



VIEW A
(180° ROTATE)



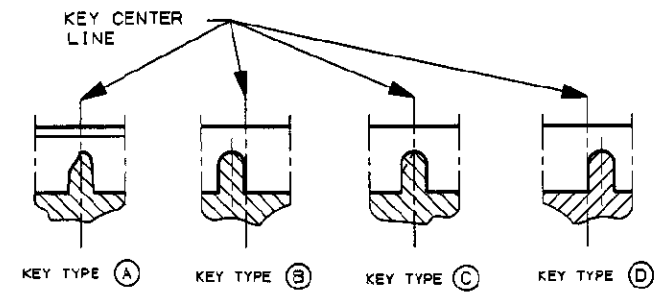
SECT X-X
(SCALE 4-1)



SECT Y-Y

NOTES,
 1 MATERIAL, HOUSING & EJECTOR LEVER:
 L.C.P (HIGH TEMP THERMO PLASTIC)
 UL 94V-0, NATURAL. (LEVER: BLACK)
 CONTACT: PHOS-BRZ
 2 FINISH; CONTACT AREA: 0.0003 MIN GOLD ON
 0.0013 MIN ALL OVER NICKEL.
 SOLDERING AREA: 0.001 MIN TIN-LEAD.
 3. MODULE KEY POSITION OF CONNECTOR SEE TABLE.

注記,
 1 材料;ハウジング & エジエクターレバー:
 L.C.P (耐熱熱可塑性樹脂)
 UL94V-0, 自然色. (レバー: 黒色)
 コンタクト, 燐青銅
 2 めっき仕様; 接触部 金めっき 0.0003 MIN 厚
 ニッケル下地 0.0013 MIN 厚
 半田付け部; 半田めっき 0.001 MIN 厚
 3. コネクターのモジュールキーは表参照の事。



KEYING TYPE
SECT W-W & SECT V-V
(SCALE 2-1)

| | | | | | | | |
|-------------|-----|------------------------|--------------------------|-------------|-----|-----|------------|
| 3 | 3 | RESERVED 5.0V | CIRCUIT NO. 84,168 SIDE | (D) | (B) | 168 | 2-353476-1 |
| ↑ | ↑ | RESERVED 3.3V | ↑ | (D) | (C) | ↑ | 1- ↑ -2 |
| ↑ | ↑ | RESERVED 5.0V | CIRCUIT NO. 84,168 SIDE | (D) | (B) | 168 | 1-353476-1 |
| ↑ | ↑ | RESERVED 3.3V | ↑ | (D) | (C) | ↑ | ↑ -2 |
| 2.6 | 3 | RESERVED 5.0V | CIRCUIT NO. 1,85 SIDE | (D) | (B) | 168 | 353476-1 |
| ±0.3 "L" | "M" | REMARKS (POWER SUPPLY) | EJECTOR LEVER MOUNT SIDE | KEYING TYPE | | POS | PART NO. |

| | | | | |
|-----|----------------------|----------------------|------------|------------|
| A | REVISED | ECN NO. FJ00-0197-00 | K.K. | 27-AUG-'96 |
| O | RELEASED | ECN NO. FJ00-5279-96 | K.K.I.E. | 27-AUG-'96 |
| LTR | 変更 (REVISION RECORD) | DR | CHK | DATE |
| | | DR. | CHK. | |
| | | K. KOBAYASHI | I. ENOMOTO | |

Copyright ©1996年 Tyco Electronics AMP K.K.
 Copyright ©1996 Tyco Electronics AMP K.K. ALL RIGHTS RESERVED.

AMP Tyco Electronics AMP K.K. Kawasaki, Japan

組合電線断面積 (WIRE RANGE) mm² (AWG -)
 被覆外径 (INSULATION DIA.) mmφ

名称 (NAME) LOW PROFILE M64 CARD EDGE CONNECTOR, SLANT (25°) TYPE. (FOR 8 BYTE DIMM RESERVED TYPE)

材料 (MATERIAL) SEE NOTE
 仕上 (FINISH) SEE NOTE

一般公差 (GENERAL TOLERANCE)
 10以下: ±0.2
 10以上 30以下: ±0.25
 30以上 100以下: ±0.3
 角度: ±3'

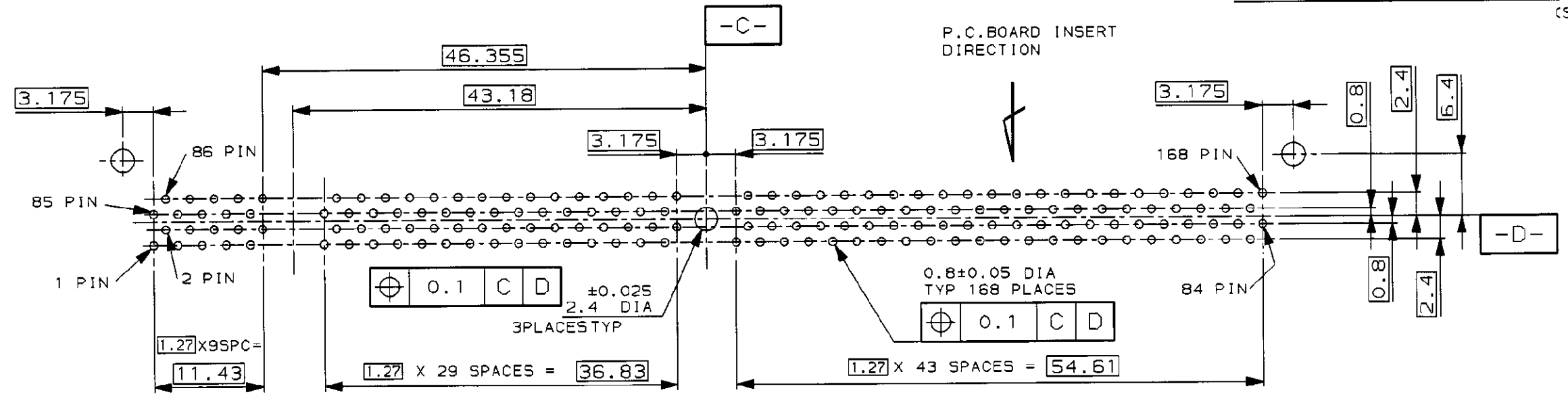
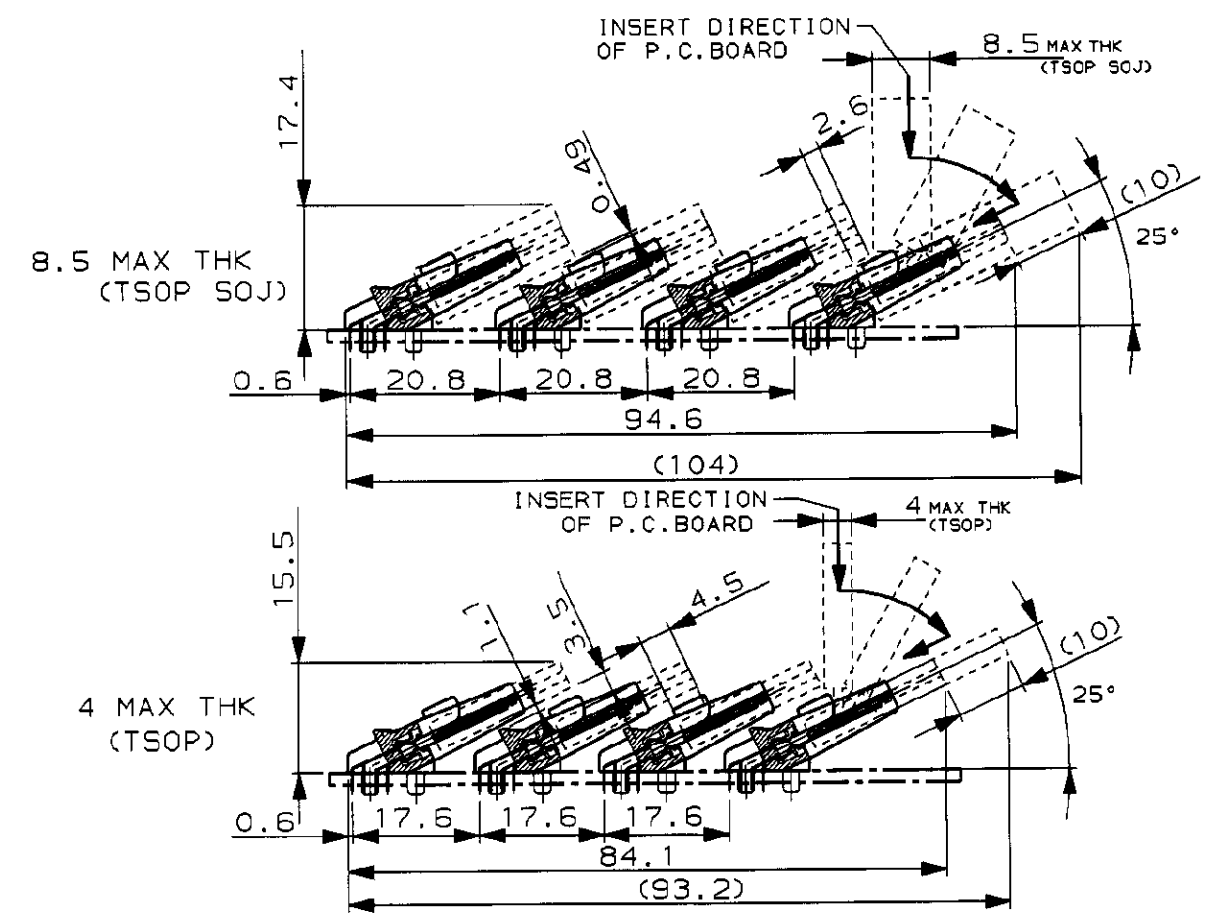
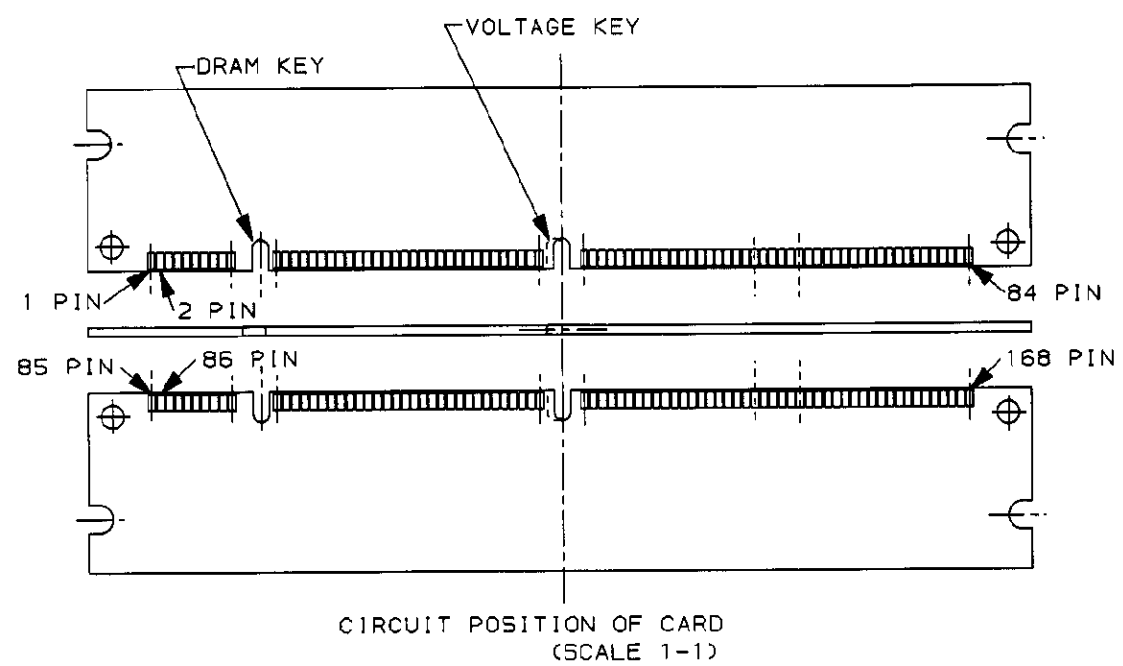
尺度 (SCALE) 1-1
 番号 (No.) C-353476
 位置 (LOC) B J
 図面 (REV.) A
 シート (SHEET) 1 OF 3

NUMBER
C-353476

METRIC
三等角 (3rd ANGLE PROJECTION)

METRIC

PRINT DIST
DIMENSIONS IN MM. DO NOT SCALE PRINT
PROJ. NO. 696-105



推奨取付け穴仕様 (コネクタ一取付け側)
RECOMMENDED P.C. BOARD HOLE LAYOUT
(CONNECTOR MOUNTING SIDE)
推奨基板厚
P.C. BOARD THK 1.6 ±0.1

SEE SHEET 1 OF 3

| | | | | | |
|-----|----------------------|----|-----|------|------|
| LTR | 変更 (REVISION RECORD) | DR | CHK | DATE | CHK. |
|-----|----------------------|----|-----|------|------|

| | | | | | |
|--|--|--|--|--|----------------------|
| Copyright ©1996年 Tyco Electronics AMP K.K. | | Copyright ©1996 Tyco Electronics AMP K.K. ALL RIGHTS RESERVED. | | AMP Tyco Electronics AMP K.K. Kawasaki, Japan | |
| 包合電線断面積 (WIRE RANGE) mm ² (AWG -) | | 被覆外径 (INSULATION DIA.) mmφ | | 名称 (NAME) LOW PROFILE M64 CARD EDGE CONNECTOR, SLANT (25°) TYPE. (FOR 8 BYTE DIMM RESERVED TYPE) | |
| 材料 (MATERIAL) | | 仕上 (FINISH) | | 一般公差 (GENERAL TOLERANCE) 10以下 ±0.2 10を超え 30以下 ±0.25 30を超え 100以下 ±0.3 角 度 ±3° | |
| DR. | | DE. | | LOC B J | 番号 (No.) C-353476 |
| 尺度 (SCALE) 2-1 | | REV. A | | SHEET 2 OF 3 | |

