



Chipsmall Limited consists of a professional team with an average of over 10 year of expertise in the distribution of electronic components. Based in Hongkong, we have already established firm and mutual-benefit business relationships with customers from,Europe,America and south Asia,supplying obsolete and hard-to-find components to meet their specific needs.

With the principle of “Quality Parts,Customers Priority,Honest Operation,and Considerate Service”,our business mainly focus on the distribution of electronic components. Line cards we deal with include Microchip,ALPS,ROHM,Xilinx,Pulse,ON,Everlight and Freescale. Main products comprise IC,Modules,Potentiometer,IC Socket,Relay,Connector.Our parts cover such applications as commercial,industrial, and automotives areas.

We are looking forward to setting up business relationship with you and hope to provide you with the best service and solution. Let us make a better world for our industry!



## Contact us

Tel: +86-755-8981 8866 Fax: +86-755-8427 6832

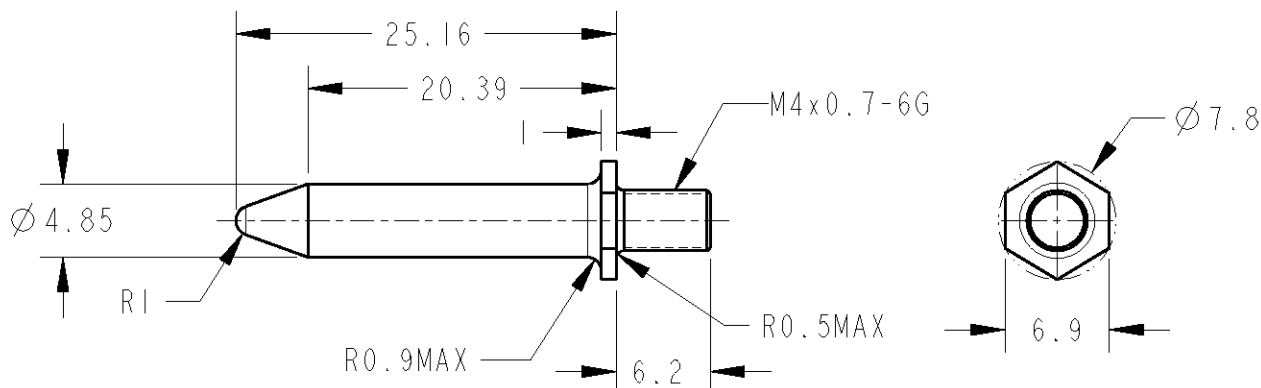
Email & Skype: info@chipsmall.com Web: www.chipsmall.com

Address: A1208, Overseas Decoration Building, #122 Zhenhua RD., Futian, Shenzhen, China

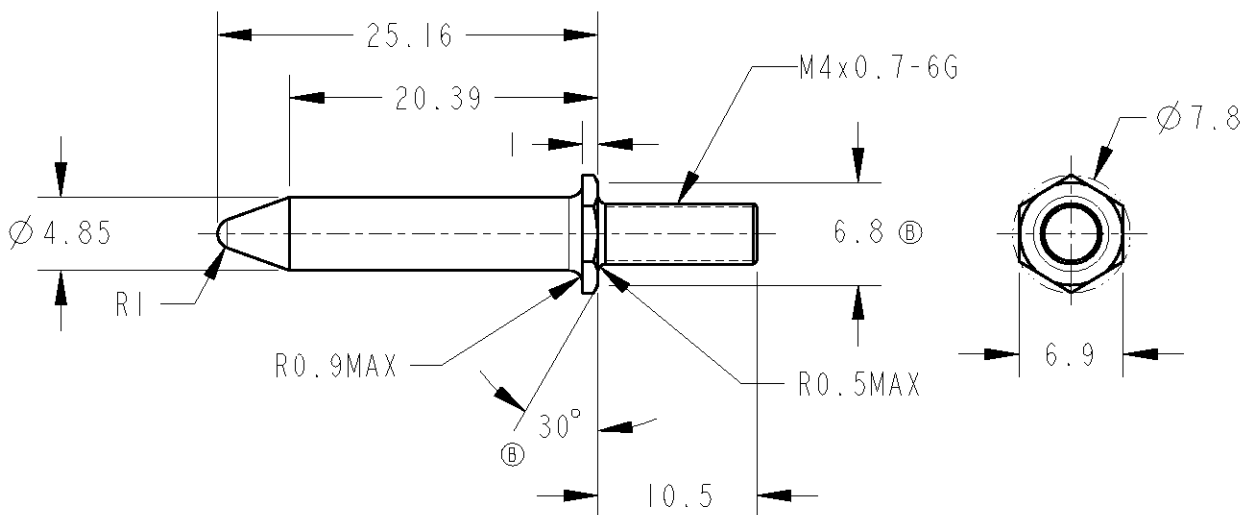


LOC	DIST	REVISIONS 変更					
J	-	P	LTR	DESCRIPTION	DATE	DWN	APVD
		B		REDRAWN, REVISED FJB0-0208-03	19MAR2003	C.O	I.E

353518-1



353518-2



⚠ 仕上げ; 全面無電解めっき  
銅下地めっき1μm最小の上は、ニッケルめっき2μm最小

⚠ FINISH; WHOLE SURFACE ELECTROLESS PLATING  
0.001mm MIN THK. Cu UNDER PLATING  
0.002mm MIN THK. Ni SURFACE PLATING

2003MARTI

RELEASED FOR PUBLICATION

THIS DRAWING IS UNPUBLISHED.

© COPYRIGHT 2003 BY TYCO ELECTRONICS CORPORATION. ALL RIGHTS RESERVED.

DIMENSIONS: 単位: 耗 mm	DWN	I1MAR2003	MATERIAL	STEEL	FINISH	SEE NOTE 1
	CHK	I9MAR2003				
TOLERANCES UNLESS OTHERWISE SPECIFIED:	PRODUCT SPEC	I9MAR2003	Tyco Electronics AMP K.K. Kawasaki, Japan			
	APVD					
一般公差	APPLICATION SPEC		UNIVERSAL POWER MODULE			
0 PLC ±	取付適用規格		GUIDE PIN			
1 PLC ±0.3			SIZE	CAGE CODE	DRAWING NO	RESTRICTED TO
2 PLC ±0.2			A4	00779	C=353518	-
3 PLC ±			CUSTOMER DRAWING			
4 PLC ±			SCALE	SHEET	OF	REV
ANGLES ±			2:1	1	1	B