



Chipsmall Limited consists of a professional team with an average of over 10 year of expertise in the distribution of electronic components. Based in Hongkong, we have already established firm and mutual-benefit business relationships with customers from,Europe,America and south Asia,supplying obsolete and hard-to-find components to meet their specific needs.

With the principle of “Quality Parts,Customers Priority,Honest Operation,and Considerate Service”,our business mainly focus on the distribution of electronic components. Line cards we deal with include Microchip,ALPS,ROHM,Xilinx,Pulse,ON,Everlight and Freescale. Main products comprise IC,Modules,Potentiometer,IC Socket,Relay,Connector.Our parts cover such applications as commercial,industrial, and automotives areas.

We are looking forward to setting up business relationship with you and hope to provide you with the best service and solution. Let us make a better world for our industry!



## Contact us

Tel: +86-755-8981 8866 Fax: +86-755-8427 6832

Email & Skype: info@chipsmall.com Web: www.chipsmall.com

Address: A1208, Overseas Decoration Building, #122 Zhenhua RD., Futian, Shenzhen, China



THIS DRAWING IS UNPUBLISHED.

RELEASED FOR PUBLICATION

ALL RIGHTS RESERVED.

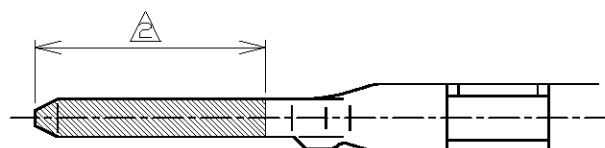
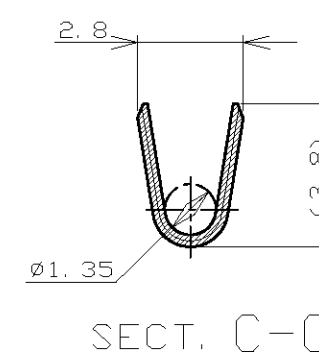
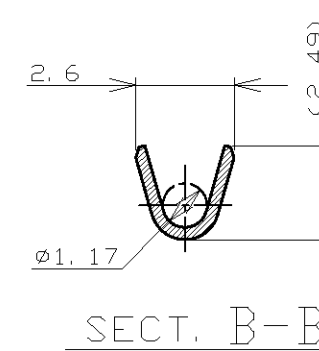
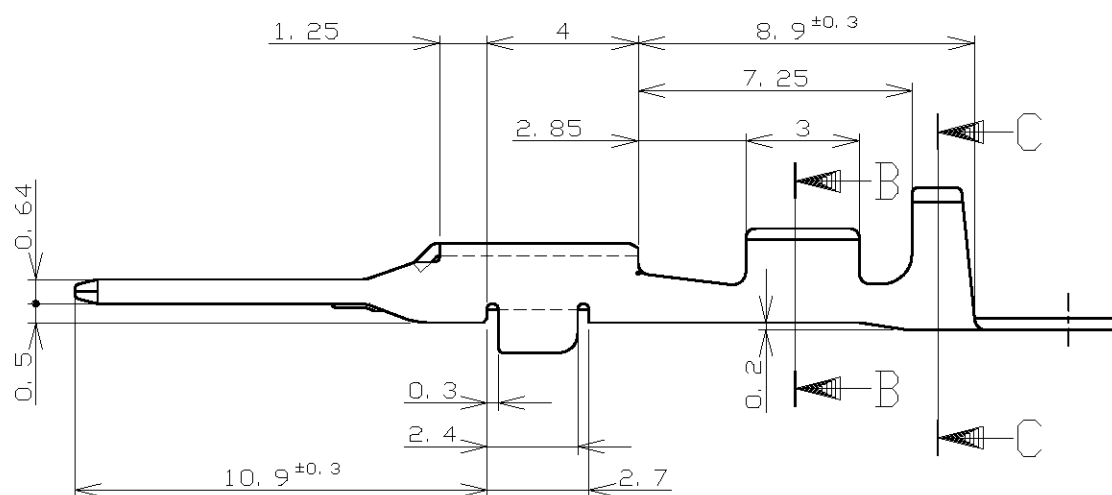
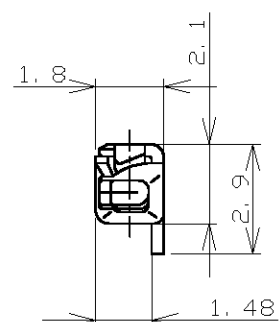
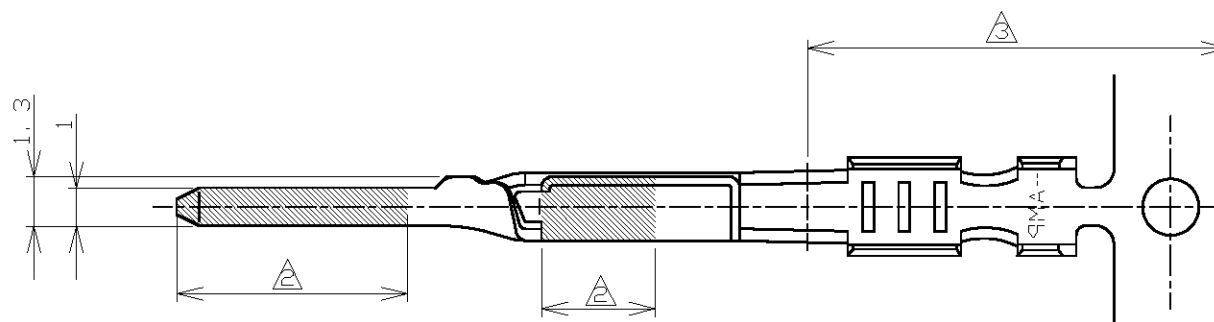
© COPYRIGHT - By -

LOC  
J

DIST  
-

REVISIONS

P	LTR	DESCRIPTION	DATE	DWN	APVD
A1	REVISED	ECR-14-003513	10MAR2014	TS	KB



1376703-2	SELECTIVE GOLD/TIN 部分金めっき/錫めっき 2 3	353537-2
1376703-1	PRE-TIN 錫めっき済	353537-1
LOOSE PIECE NUMBER バラ端子型番	FINISH 仕上げ	PART NUMBER 型番

1. 適用電線 ; AVSS, CAVS 0.3~0.5mm<sup>2</sup>

- △ 金めっき範囲 (-2のみ)
- △ 錫めっき範囲 (-2のみ)

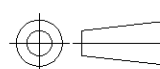
1. APPLICABLE WIRE RANGE ; AVSS, CAVS 0.3~0.5mm<sup>2</sup>

- △ GOLD PLATING AREA (-2 ONLY)
- △ TIN PLATING AREA (-2 ONLY)

TOLERANCES UNLESS OTHERWISE SPECIFIED:	
10 ≥	: ±0.2
30 ≥ > 10	: ±0.25
100 ≥ > 30	: ±0.3
ANGLE : ±3°	

THIS DRAWING IS A CONTROLLED DOCUMENT.

DIMENSIONS:  
mm



MATERIAL  
BRASS

TOLERANCES UNLESS OTHERWISE SPECIFIED:

0 PLC	± -
1 PLC	± -
2 PLC	± -
3 PLC	± -
4 PLC	± -
ANGLES	± -
FINISH	SEE TABLE

DWN	H.YAMAGAMI	20DEC96
CHK	D.MATSUURA	20DEC96
APVD	N.SAI	20DEC96
PRODUCT SPEC	-	
APPLICATION SPEC	-	
114-5228	-	
WEIGHT	0.31 g	

TE Connectivity			NAME	
			040III UNSEALED CONTACT, TAB (S)	
SIZE	CAGE CODE	DRAWING NO	RESTRICTED TO	
A3	00779	C-353537	-	

CUSTOMER DRAWING SCALE 5:1 SHEET 1 OF 1 REV A1