



Chipsmall Limited consists of a professional team with an average of over 10 year of expertise in the distribution of electronic components. Based in Hongkong, we have already established firm and mutual-benefit business relationships with customers from,Europe,America and south Asia,supplying obsolete and hard-to-find components to meet their specific needs.

With the principle of “Quality Parts,Customers Priority,Honest Operation,and Considerate Service”,our business mainly focus on the distribution of electronic components. Line cards we deal with include Microchip,ALPS,ROHM,Xilinx,Pulse,ON,Everlight and Freescale. Main products comprise IC,Modules,Potentiometer,IC Socket,Relay,Connector.Our parts cover such applications as commercial,industrial, and automotives areas.

We are looking forward to setting up business relationship with you and hope to provide you with the best service and solution. Let us make a better world for our industry!



Contact us

Tel: +86-755-8981 8866 Fax: +86-755-8427 6832

Email & Skype: info@chipsmall.com Web: www.chipsmall.com

Address: A1208, Overseas Decoration Building, #122 Zhenhua RD., Futian, Shenzhen, China



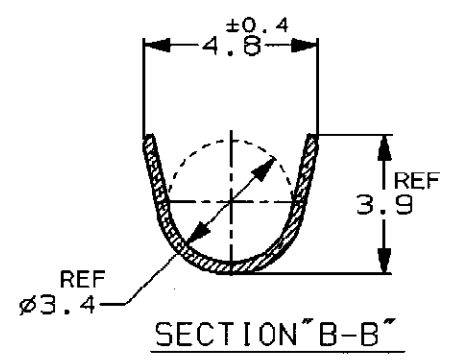
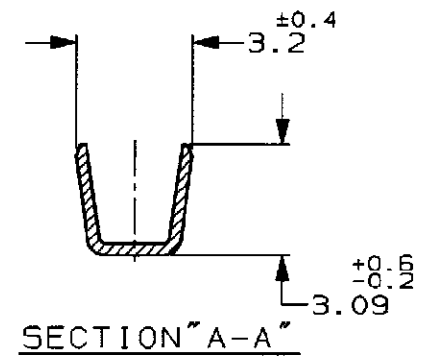
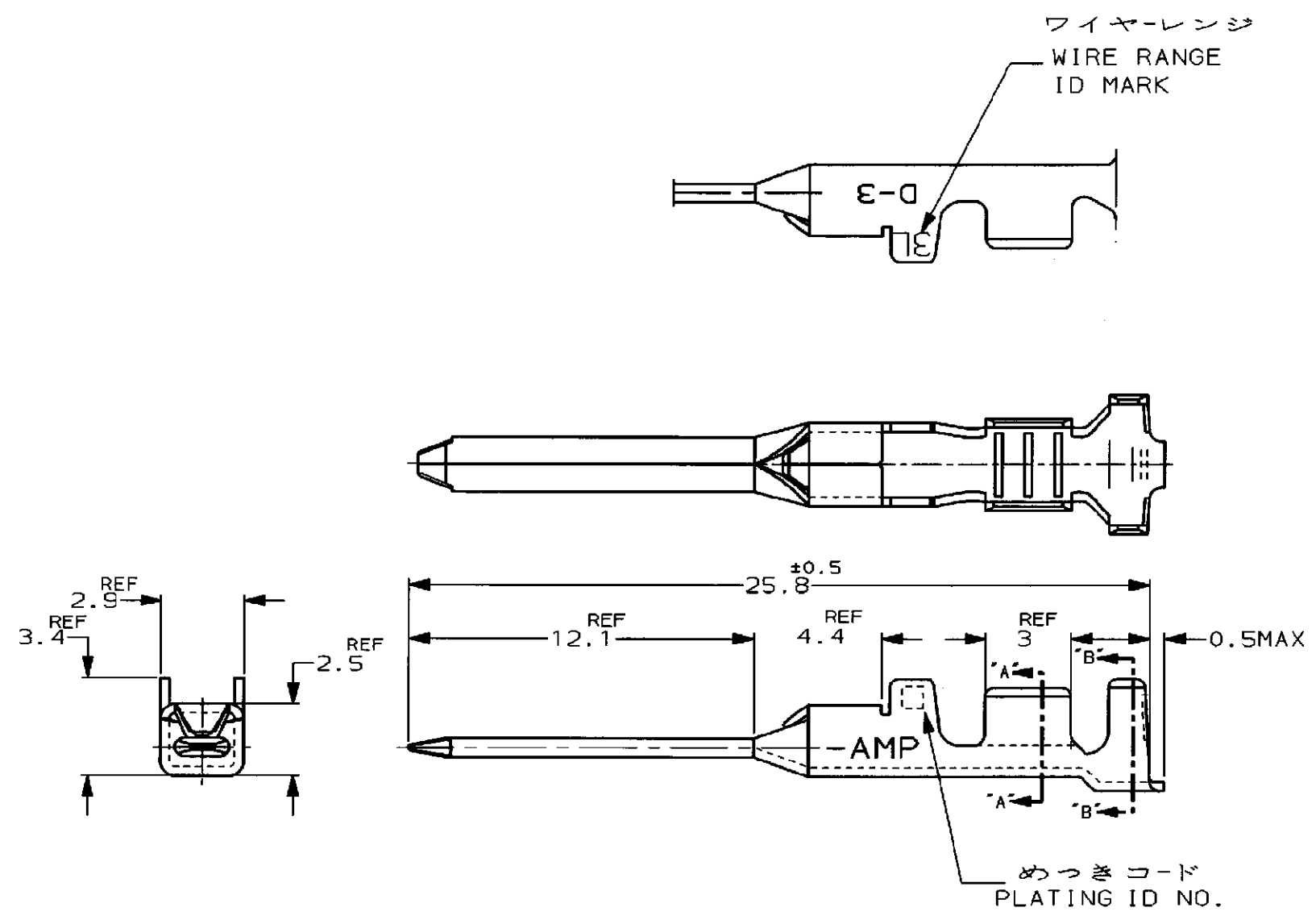
NUMBER 353718



METRIC

単位、寸法 DIMENSIONS IN MM. DO NOT SCALE PRINT

PRINT DIST



注記

△ 金めっきは接触部のみとする

NOTE

△ GOLD-PL. CONTACT AREA ONLY

5	光沢錫めっき (BRIGHT TIN-PL.)	-5
3	△ 0.76µm最小金めっき (0.76µmMIN. Au-PL.)	-3
2	△ 0.38µm最小金めっき (0.38µmMIN. Au-PL.)	353718-2
めっきコード (PL. ID NO.)	仕上 (FINISH)	型番 (P/N)

B1	REVISED PER ECO-11-005294	RK	HMR	07APR/11	DR. K. IKEDA	7/FEB/'97
LTR	変更 (REVISION RECORD)	DR	CHK	DATE	CHK. Y. ISHIKAWA	12/FEB/'97

		DYNAMIC D-3 SERIES TAB CONTACT	
適合電線断面径 (WIRE RANGE) AWG 16-14		被覆外径 (INSULATION DIA.) 3.1-3.8 mmφ	
材料 (MATERIAL) (COPPER ALLOY) 銅合金		仕上 (FINISH) (SEE TABLE) 表参照	
一般公差 (GENERAL TOLERANCE) 10以下: ±0.2 10未満 30以下: ±0.25 30未満 100以下: ±0.3 角 度: ±3°		SIZE B J	番号 (No.) 353718
尺度 (SCALE) 5-1		REV. B1	SHEET 1 OF 1

(CUSTOMER DRAWING) 参 考 図 面