



Chipsmall Limited consists of a professional team with an average of over 10 year of expertise in the distribution of electronic components. Based in Hongkong, we have already established firm and mutual-benefit business relationships with customers from,Europe,America and south Asia,supplying obsolete and hard-to-find components to meet their specific needs.

With the principle of “Quality Parts,Customers Priority,Honest Operation,and Considerate Service”,our business mainly focus on the distribution of electronic components. Line cards we deal with include Microchip,ALPS,ROHM,Xilinx,Pulse,ON,Everlight and Freescale. Main products comprise IC,Modules,Potentiometer,IC Socket,Relay,Connector.Our parts cover such applications as commercial,industrial, and automotives areas.

We are looking forward to setting up business relationship with you and hope to provide you with the best service and solution. Let us make a better world for our industry!



Contact us

Tel: +86-755-8981 8866 Fax: +86-755-8427 6832

Email & Skype: info@chipsmall.com Web: www.chipsmall.com

Address: A1208, Overseas Decoration Building, #122 Zhenhua RD., Futian, Shenzhen, China



THIS DRAWING IS UNPUBLISHED.

RELEASED FOR PUBLICATION

20

© COPYRIGHT 20

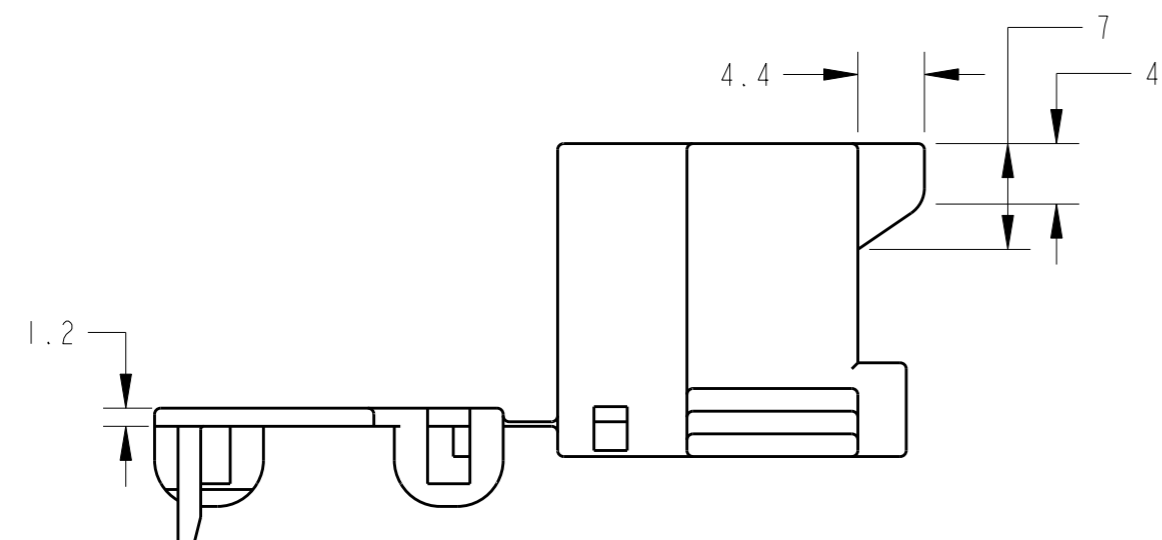
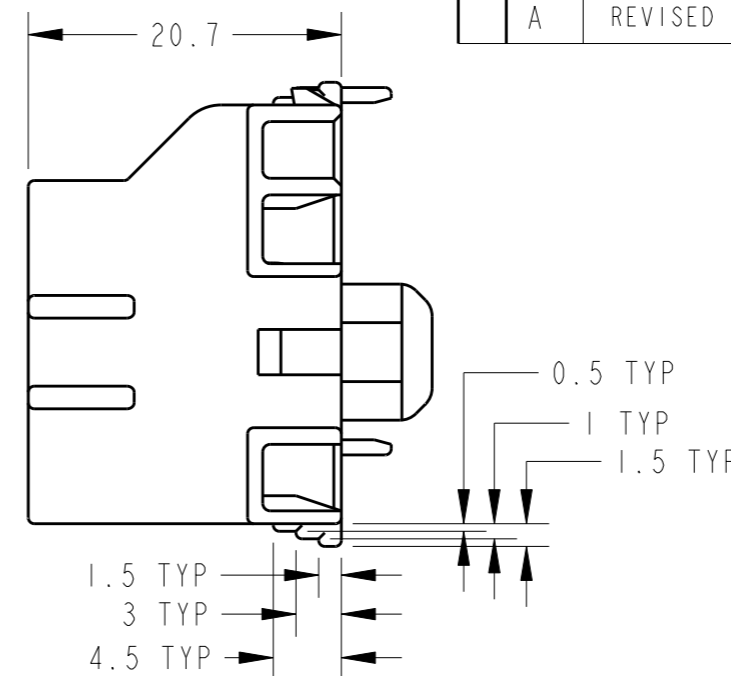
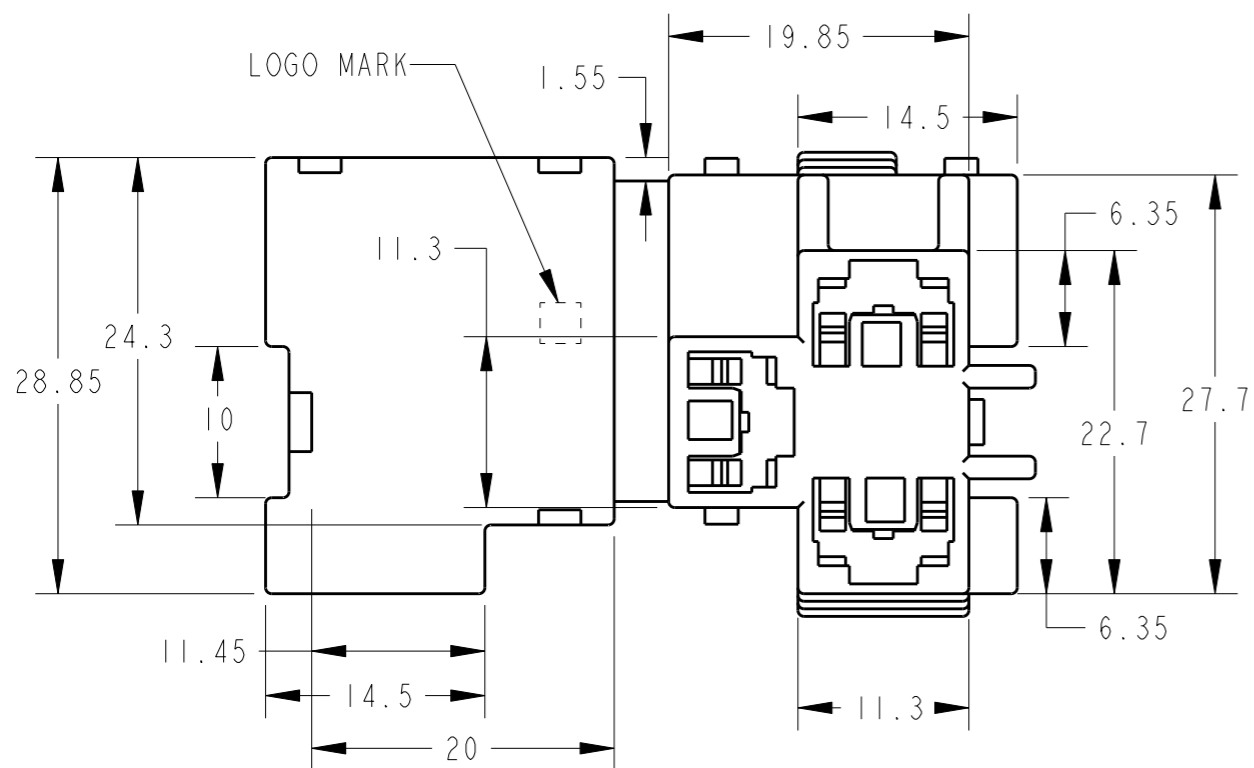
ALL RIGHTS RESERVED.

LOC J
DIST -

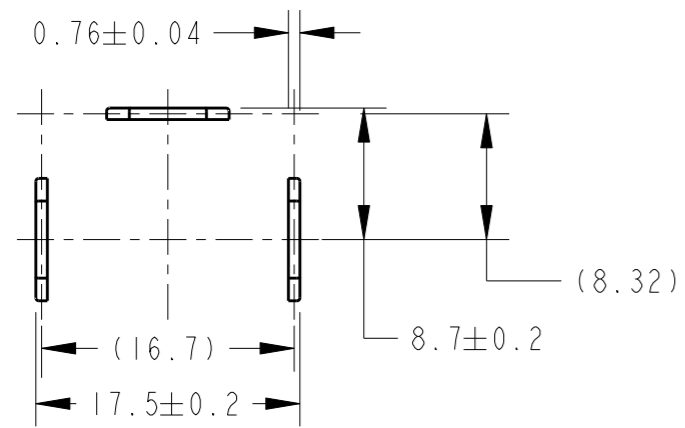
REVISIONS

変更

P	LTR	DESCRIPTION	ECN	DATE	DWN	APVD
0		RELEASED	FJ00-0504-97	03APR97	KF	KS
01		REVISED	FJ00-0124-02	31JAN02	AY	KB
02		REVISED	FJ00-0154-03	23JAN03	TS	KB
A		REVISED	ECR-16-000522	13JAN2016	TS	KB



- 適用するリセプタクルは、型番172795, 172796, 900318及び900319である。
 - アンブシールドビームコネクタ用タブ 番号79-25183 と嵌合する。(SAE, JASO及びJIS規格に準拠。)
- APPLICABLE RECEPTACLES ARE 172795, 172796, 900318 AND 900319.
 - MATING TO PART NUMBER 79-25183 FOR AMP SEALED BEAM CONNECTOR TAB. (BE BASED ON SAE, JASO AND JIS SPEC.)



タブ配置(TAB ALIGNMENT)スケール 2:1

TOLERANCES UNLESS OTHERWISE SPECIFIED:

一般公差		±0.2
10≥		±0.25
30≥	>10	±0.25
100≥	>30	±0.3
ANGLE		±3°

THIS DRAWING IS A CONTROLLED DOCUMENT.

DIMENSIONS: 単位: 耗 mm	TOLERANCES UNLESS OTHERWISE SPECIFIED: 一般公差 ± - 0-PLC ± - 1-PLC ±0.1 2-PLC ±0.01 3-PLC ±0.001 4-PLC ±0.0001 ANGLES ±1.00'
MATERIAL 材料 PBT	FINISH 仕上 -

DWN	K.FUCHIBE	02APR97
CHK	K.FUCHIBE	02APR97
APVD	K.SHIMIZU	03APR97
PRODUCT SPEC 製品規格	108-5131	
APPLICATION SPEC 取付適用規格	-	
WEIGHT	6.8g	

WIRE RANGE 包合電線断面積	INSULATION DIA 被覆外径	BLACK	353752-2
		COLOR	PART NUMBER
		TE Connectivity	
		NAME 名称 .312 HEAD LAMP CONNECTOR (COMPACT TYPE)	
SIZE A3	CAGE CODE	DRAWING NO C-353752	RESTRICTED TO
CUSTOMER DRAWING		SCALE 尺度 2:1	SHEET OF 1 REV A