



Chipsmall Limited consists of a professional team with an average of over 10 year of expertise in the distribution of electronic components. Based in Hongkong, we have already established firm and mutual-benefit business relationships with customers from,Europe,America and south Asia,supplying obsolete and hard-to-find components to meet their specific needs.

With the principle of “Quality Parts,Customers Priority,Honest Operation,and Considerate Service”,our business mainly focus on the distribution of electronic components. Line cards we deal with include Microchip,ALPS,ROHM,Xilinx,Pulse,ON,Everlight and Freescale. Main products comprise IC,Modules,Potentiometer,IC Socket,Relay,Connector.Our parts cover such applications as commercial,industrial, and automotives areas.

We are looking forward to setting up business relationship with you and hope to provide you with the best service and solution. Let us make a better world for our industry!



Contact us

Tel: +86-755-8981 8866 Fax: +86-755-8427 6832

Email & Skype: info@chipsmall.com Web: www.chipsmall.com

Address: A1208, Overseas Decoration Building, #122 Zhenhua RD., Futian, Shenzhen, China

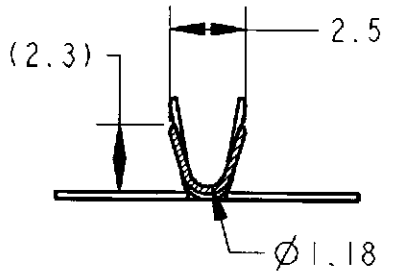


THIS DRAWING IS UNPUBLISHED.

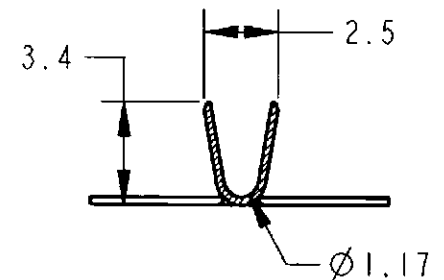
RELEASED FOR PUBLICATION ,1997.xx.xx

© COPYRIGHT 1997.xx.xx BY AMP INCORPORATED. ALL RIGHTS RESERVED.

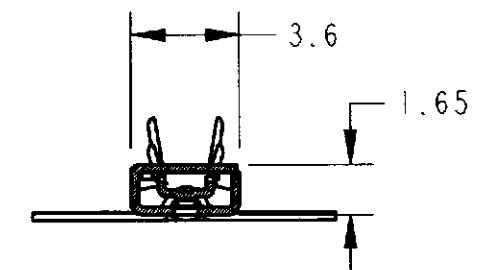
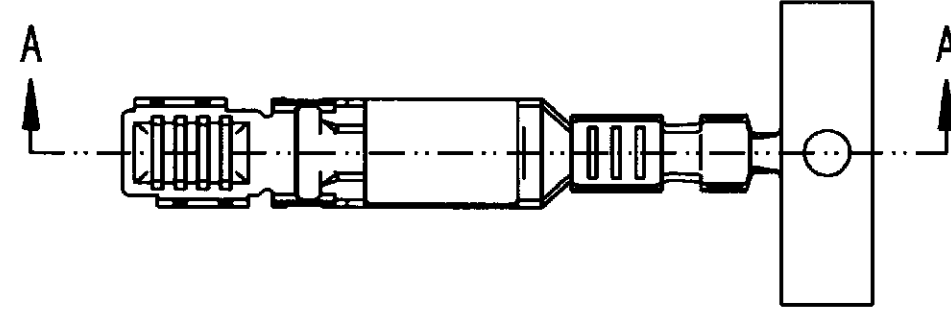
LOC	DIST	REVISIONS 変更						
		P	LTR	DESCRIPTION	ECN	DATE	DWN	APVD
J	-			O RELEASED	FJ00-1997-97	10DEC97	R.K	N.S



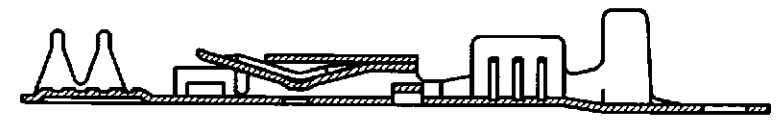
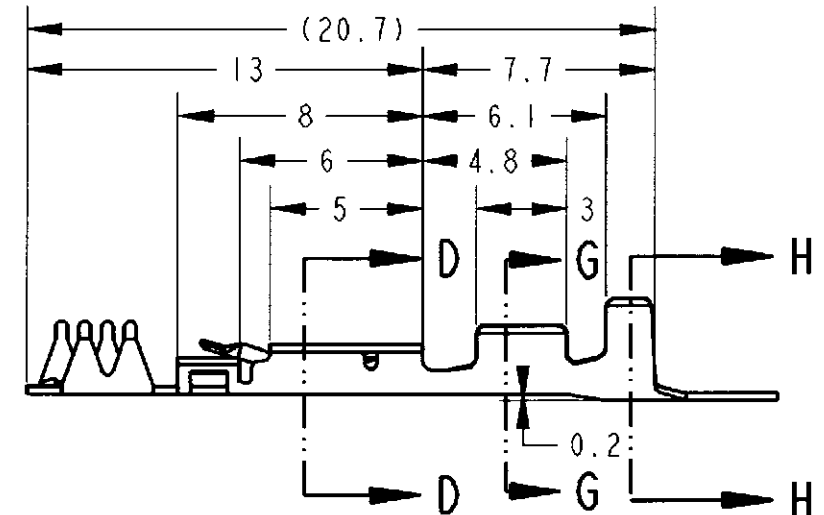
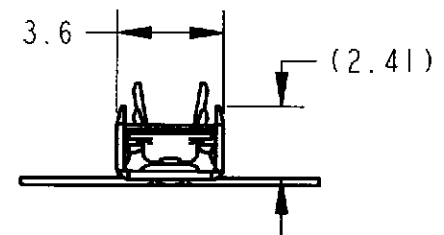
断面 G-G



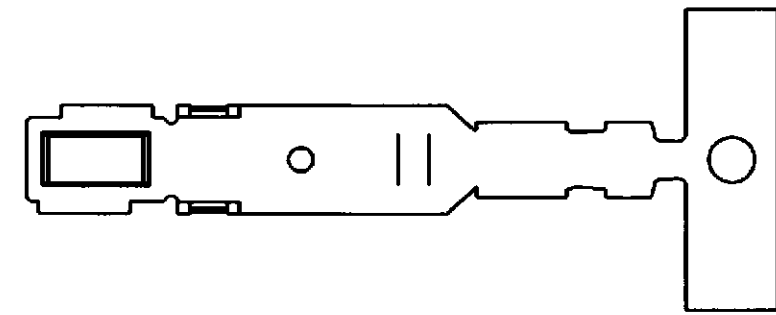
断面 H-H



断面 D-D



断面 A-A



I. 適用電線: AVSS 0.3~0.5mm²

I. APPLICABLE WIRE RANGE;
AVSS 0.3~0.5mm²

PRE-TIN(すずめっき済)	353842-1
FINISH(仕上)	PART NUMBER(型番)

AMP 日本エー・エム・ピー株式会社
Kawasaki, Japan

NAME
SEAT BELT FPC CONTACT

THIS DRAWING IS A CONTROLLED DOCUMENT FOR AMP INCORPORATED. IT IS SUBJECT TO CHANGE AND THE CONTROLLING ENGINEERING ORGANIZATION SHOULD BE CONTACTED FOR THE LATEST REVISION.		DWN R. KOMIYAMA 10DEC97
DIMENSIONS: 単位: ㎜ mm		CHK N.SAI 10DEC97
TOLERANCES UNLESS OTHERWISE SPECIFIED: 一般公差 10 ≥ : ±0.2 30 ≥ >10 : ±0.25 100 ≥ >30 : ±0.3 ANGLE : ±3°		APVD N.SAI 10DEC97
MATERIAL 材料 Cu ALLOY 銅合金		PRODUCT SPEC 製品規格 -
FINISH 仕上 SEE TABLE 表参照		APPLICATION SPEC 取付適用規格 114-5241
		WEIGHT 0.36g
CUSTOMER DRAWING		

SIZE A3	CAGE CODE 00779	DRAWING NO 番号 C-353842	RESTRICTED TO
SCALE 尺度 4:1	SHEET 1	OF 1	REV 0