



Chipsmall Limited consists of a professional team with an average of over 10 year of expertise in the distribution of electronic components. Based in Hongkong, we have already established firm and mutual-benefit business relationships with customers from,Europe,America and south Asia,supplying obsolete and hard-to-find components to meet their specific needs.

With the principle of "Quality Parts,Customers Priority,Honest Operation,and Considerate Service",our business mainly focus on the distribution of electronic components. Line cards we deal with include Microchip,ALPS,ROHM,Xilinx,Pulse,ON,Everlight and Freescale. Main products comprise IC,Modules,Potentiometer,IC Socket,Relay,Connector.Our parts cover such applications as commercial,industrial, and automotives areas.

We are looking forward to setting up business relationship with you and hope to provide you with the best service and solution. Let us make a better world for our industry!



Contact us

Tel: +86-755-8981 8866 Fax: +86-755-8427 6832

Email & Skype: info@chipsmall.com Web: www.chipsmall.com

Address: A1208, Overseas Decoration Building, #122 Zhenhua RD., Futian, Shenzhen, China



THIS DRAWING IS UNPUBLISHED.

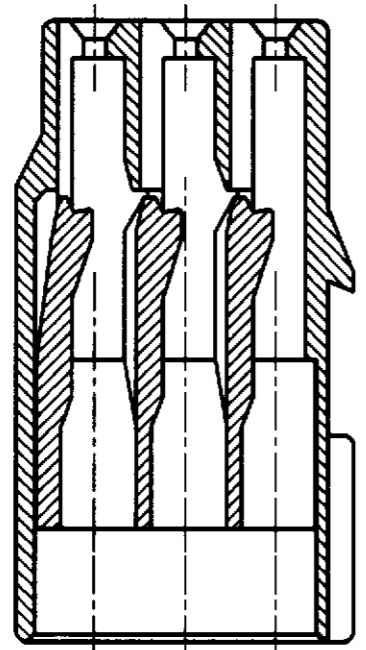
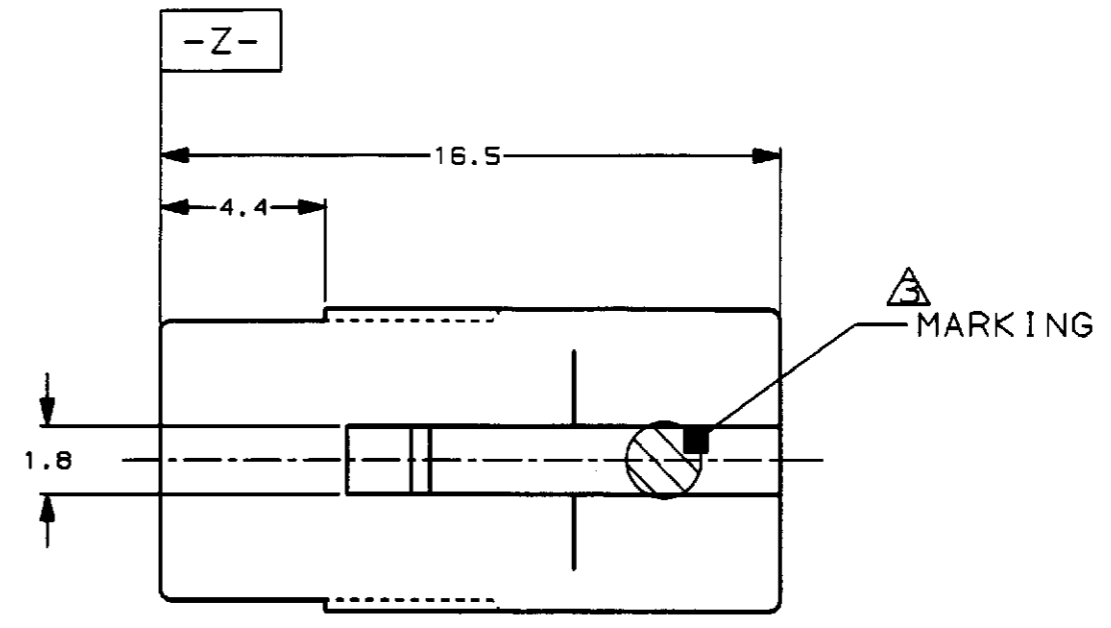
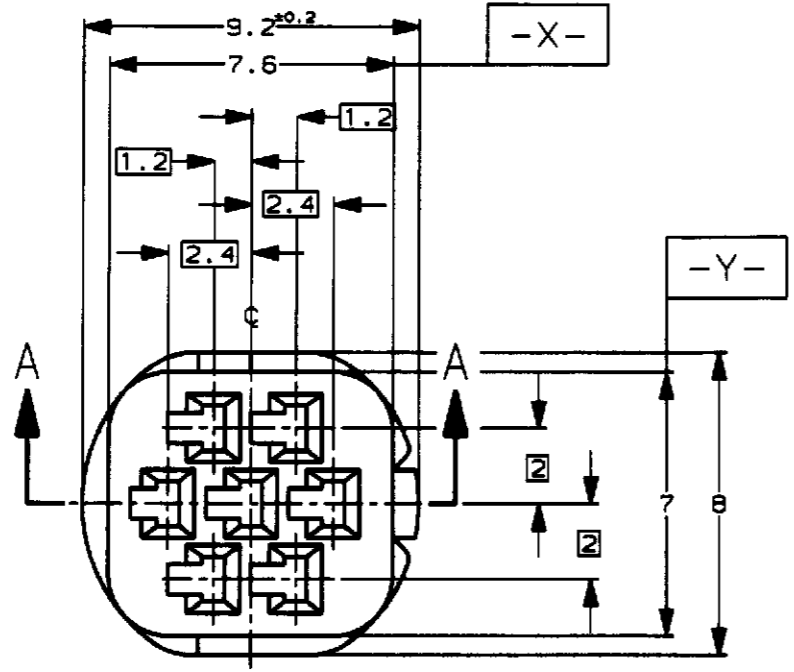
RELEASED FOR PUBLICATION

,19 .

© COPYRIGHT 1997

BY AMP INCORPORATED. ALL RIGHTS RESERVED.

LOC		DIST		REVISIONS				
				変更				
P	LTR	DESCRIPTION		ECN	DATE	DWN	APVD	
	0	RELEASED		FJ00-0569-97	15APR97	KA	KS	
	A	REVISED		FJ00-2055-98	27OCT98	TH	KY	



1. 嵌合相手ハウジング型番: 353900
2. 内装するリセコンタクト型番: 917308
3. 色: 桃色
4. 製品規格番号: 108-5426
5. 取扱説明書: 412-5653-1

1. THE MATING CAP HSG P/N 353900
2. APPLIED CONTACT P/N 917308
3. COLOR: PINK
4. PRODUCT SPEC. No.: 108-5426
5. INSTRUCTION SHEET: 412-5653

A-A

THIS DRAWING IS A CONTROLLED DOCUMENT FOR AMP INCORPORATED. IT IS SUBJECT TO CHANGE AND THE CONTROLLING ENGINEERING ORGANIZATION SHOULD BE CONTACTED FOR THE LATEST REVISION.		DWN	10APR97	K. AOYAMA	10APR97	AMP <small>日本一電機株式会社</small> Kawasaki, Japan	LIGHT GREEN ライトグリーン		353899-4
DIMENSIONS: 単位 種 mm		CHK	10APR97	H. TAKAGI	10APR97		COLOR 色	PART NUMBER 製品型番	
TOLERANCES UNLESS OTHERWISE SPECIFIED 一般公差 10mm ±0.2 30mm ±0.25 100mm ±0.3 ANGLE ±3°		APVD	15APR97	K. SHIMIZU	15APR97		7Pos. PLUG HSG. MINI MULTI LOCK CONN. (NON-SEALED TYPE) 7極 プラグ ハウジング ミニ マルチロック コネクタ (非防水タイプ)		
MATERIAL 材料 PBT-GF PBTガラスス		COLOR 色 SEE TABLE 表参照		PRODUCT SPEC 製品規格	APPLICATION SPEC 取付適用規格	WEIGHT	SIZE	CAGE CODE	DRAWING NO 図番
		CUSTOMER DRAWING					A3	00779	353899
				SCALE 尺度 5:1		SHEET 1 OF 1		REV A	