



Chipsmall Limited consists of a professional team with an average of over 10 year of expertise in the distribution of electronic components. Based in Hongkong, we have already established firm and mutual-benefit business relationships with customers from,Europe,America and south Asia,supplying obsolete and hard-to-find components to meet their specific needs.

With the principle of “Quality Parts,Customers Priority,Honest Operation,and Considerate Service”,our business mainly focus on the distribution of electronic components. Line cards we deal with include Microchip,ALPS,ROHM,Xilinx,Pulse,ON,Everlight and Freescale. Main products comprise IC,Modules,Potentiometer,IC Socket,Relay,Connector.Our parts cover such applications as commercial,industrial, and automotives areas.

We are looking forward to setting up business relationship with you and hope to provide you with the best service and solution. Let us make a better world for our industry!



## Contact us

Tel: +86-755-8981 8866 Fax: +86-755-8427 6832

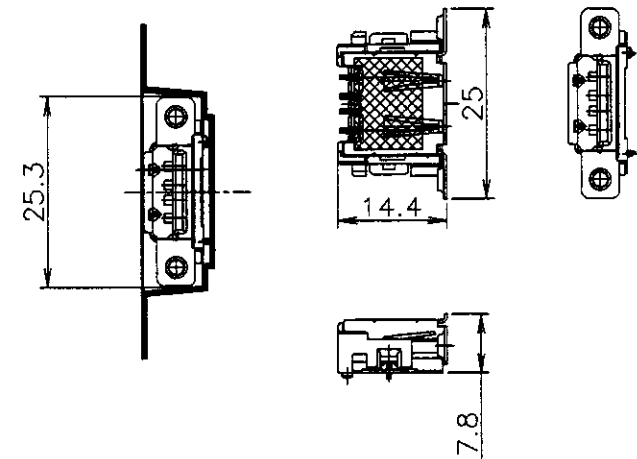
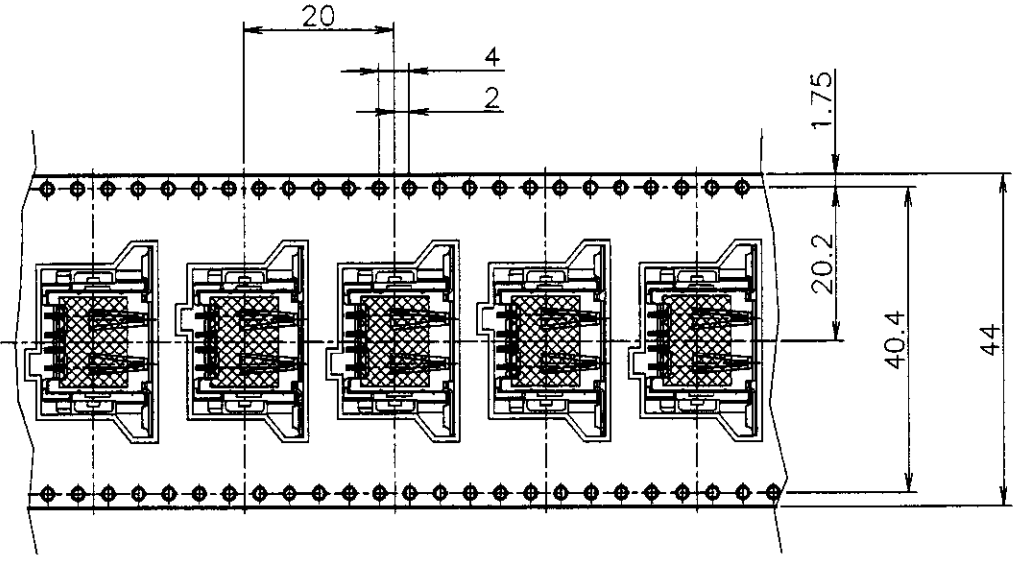
Email & Skype: info@chipsmall.com Web: www.chipsmall.com

Address: A1208, Overseas Decoration Building, #122 Zhenhua RD., Futian, Shenzhen, China



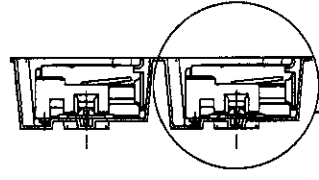
LOC	DIST	REVISIONS						
		P	LTR	DESCRIPTION	ECN	DATE	DWN	APVD
J		0		RELEASED	FJ00-0776-97	19/MAY/'97	Y.W	T.Y
		A		REVISED	FJ00-1226-00	7-AUG-'00	Y.W	JK
		A1		REVISED PER ECO-10-000445		09JAN10	KK	AEG

リール引出し方向  
DIRECTION OFF TOP OF REEL



CONNECTOR DETAIL

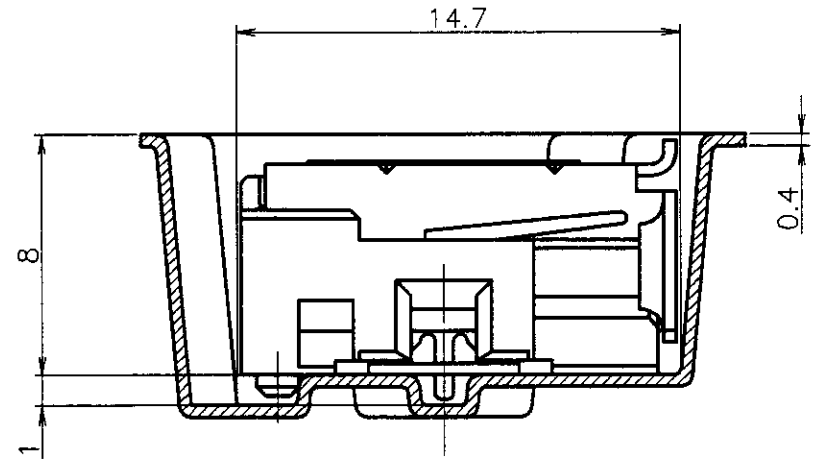
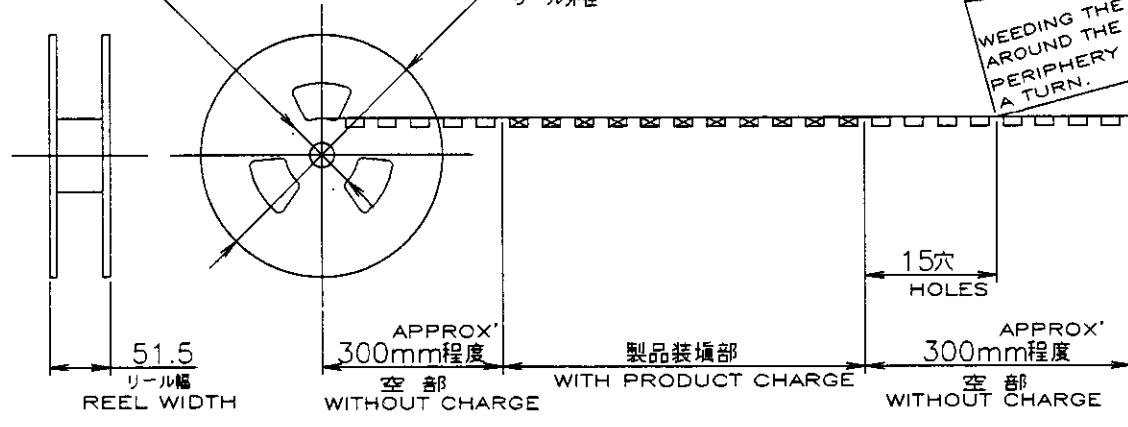
FLANGE CORE DIAMETER  
フランジコア径  
φ100



SEE DETAIL "A"

φ380  
REEL DIAMETER  
リール外径

カバーテープ  
リーダー部  
外周一巻  
WEEDING THE COVER TAPE  
AROUND THE OUTER  
PERIPHERY IN  
A TURN.



DETAIL "A"  
(SCALE 4-1)

⚠ OBSOLETE	BLACK	350	4	1-912070-8	1-353576-2	353928-2
	WHITE	350	4	1-912070-8	1-353576-1	353928-1
	HOUSING COLOR	QTY	POS	EMBOSS P/N	CONN. P/N	PART NO.

⚠ OBSOLETE PARTS: OBSOLETE CIS STREAMLINING PER D.RENAUD/D.SINISI

THIS DRAWING IS A CONTROLLED DOCUMENT.		DWN Y.WATANABE 19/MAY/'97	<b>AMP</b> Tyco Electronics AMP K.K. Kawasaki, Japan	
DIMENSIONS: 単位: 耗 MM		CHK T.YAMADA 19/MAY/'97		
TOLERANCES UNLESS OTHERWISE SPECIFIED: 一般公差		APVD T.YAMADA 19/MAY/'97	NAME 名称	
±0.3, ±5°		PRODUCT SPEC 製品規格 108-5563	EMBOSS ASSY REVERSE TYPE USB CONN. REC. WITH COVER TYPE	
MATERIAL 材料		APPLICATION SPEC 取付適用規格 //	SIZE A3	CAGE CODE 00779
FINISH 仕上		WEIGHT //	DRAWING NO 番号 G-353928	RESTRICTED TO
CUSTOMER DRAWING			SCALE 尺度 1:1	SHEET 1 OF 1
			REV A1	