



Chipsmall Limited consists of a professional team with an average of over 10 year of expertise in the distribution of electronic components. Based in Hongkong, we have already established firm and mutual-benefit business relationships with customers from,Europe,America and south Asia,supplying obsolete and hard-to-find components to meet their specific needs.

With the principle of "Quality Parts,Customers Priority,Honest Operation,and Considerate Service",our business mainly focus on the distribution of electronic components. Line cards we deal with include Microchip,ALPS,ROHM,Xilinx,Pulse,ON,Everlight and Freescale. Main products comprise IC,Modules,Potentiometer,IC Socket,Relay,Connector.Our parts cover such applications as commercial,industrial, and automotives areas.

We are looking forward to setting up business relationship with you and hope to provide you with the best service and solution. Let us make a better world for our industry!



Contact us

Tel: +86-755-8981 8866 Fax: +86-755-8427 6832

Email & Skype: info@chipsmall.com Web: www.chipsmall.com

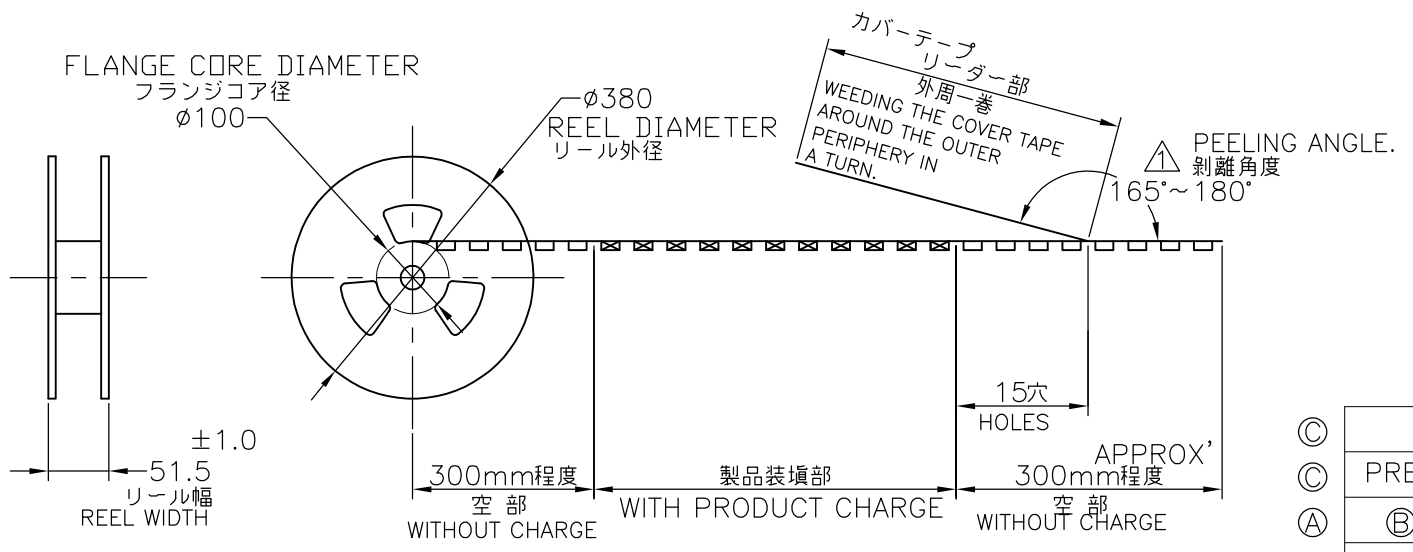
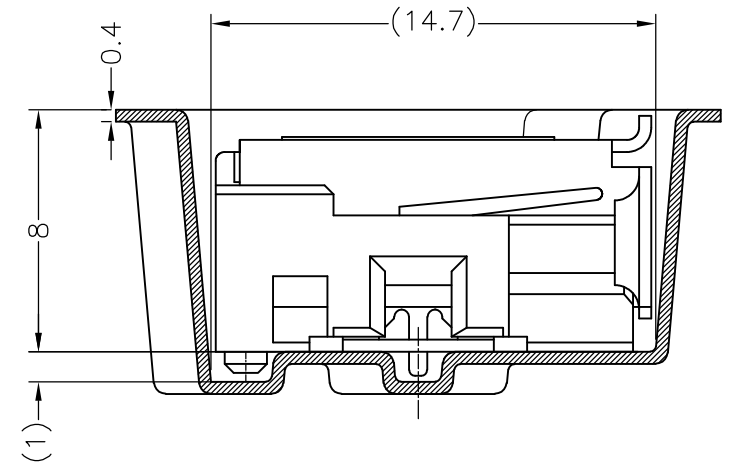
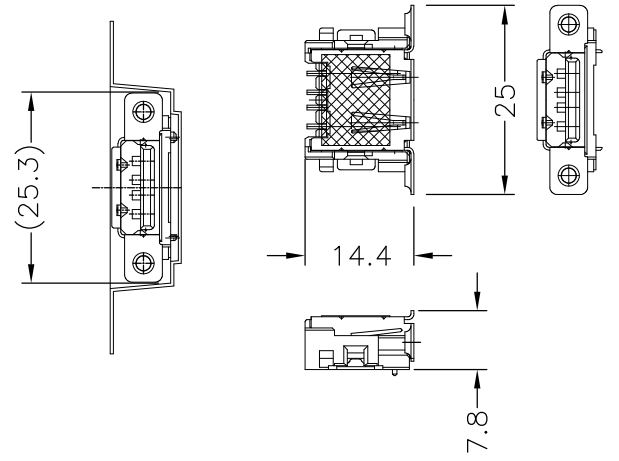
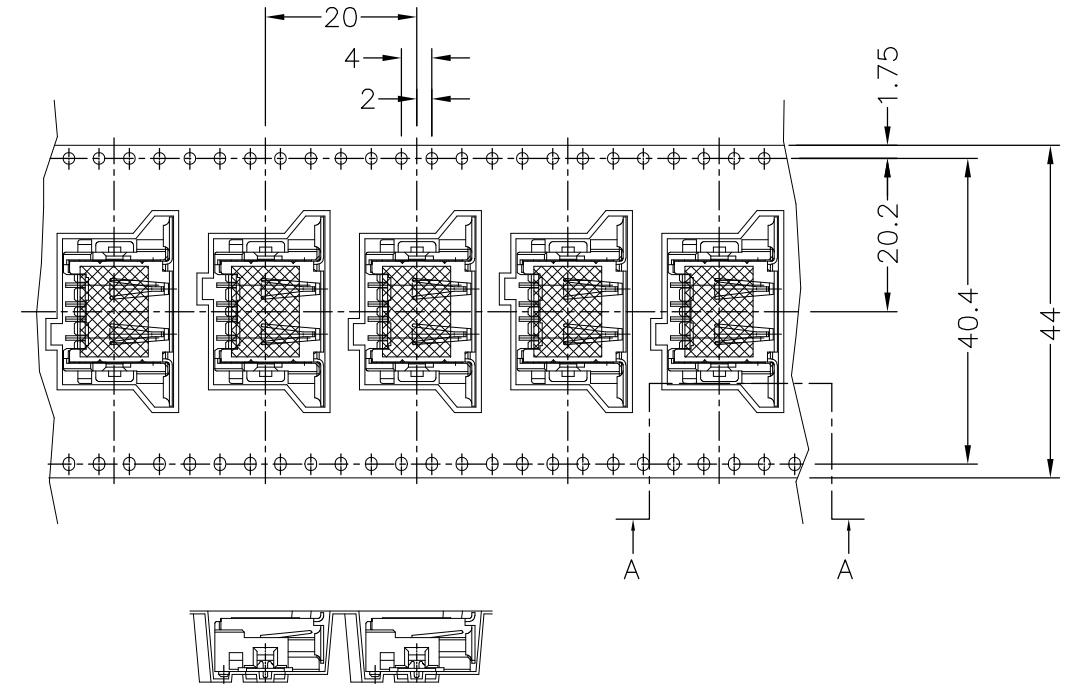
Address: A1208, Overseas Decoration Building, #122 Zhenhua RD., Futian, Shenzhen, China



THIS DRAWING IS UNPUBLISHED. RELEASED FOR PUBLICATION
 © COPYRIGHT BY TYCO ELECTRONICS CORPORATION. ALL RIGHTS RESERVED.

LOC	DIST	REVISIONS					
		P	LTR	DESCRIPTION	DATE	DWN	APVD
J		C		REVISED FJ00-2553-02	7FEB03	N.S	Y.Y
		C1		REVISED PER ECO-09-021826	08JAN10	KK	AEG

リール引き出し方向
 DIRECTION OFF TOP OF REEL



注記
 1. PRELIMINARYの製品は、製造を確約するものではありません。
 Notes
 1. PRELIMINARY PRODUCT DOES NOT BE PROMISED MANUFACTURE POSITIVELY.
 △ OBSOLETE PARTS: OBSOLETE CIS STREAMLINING PER D.RENAUD/D.SINISI

353929-1,2

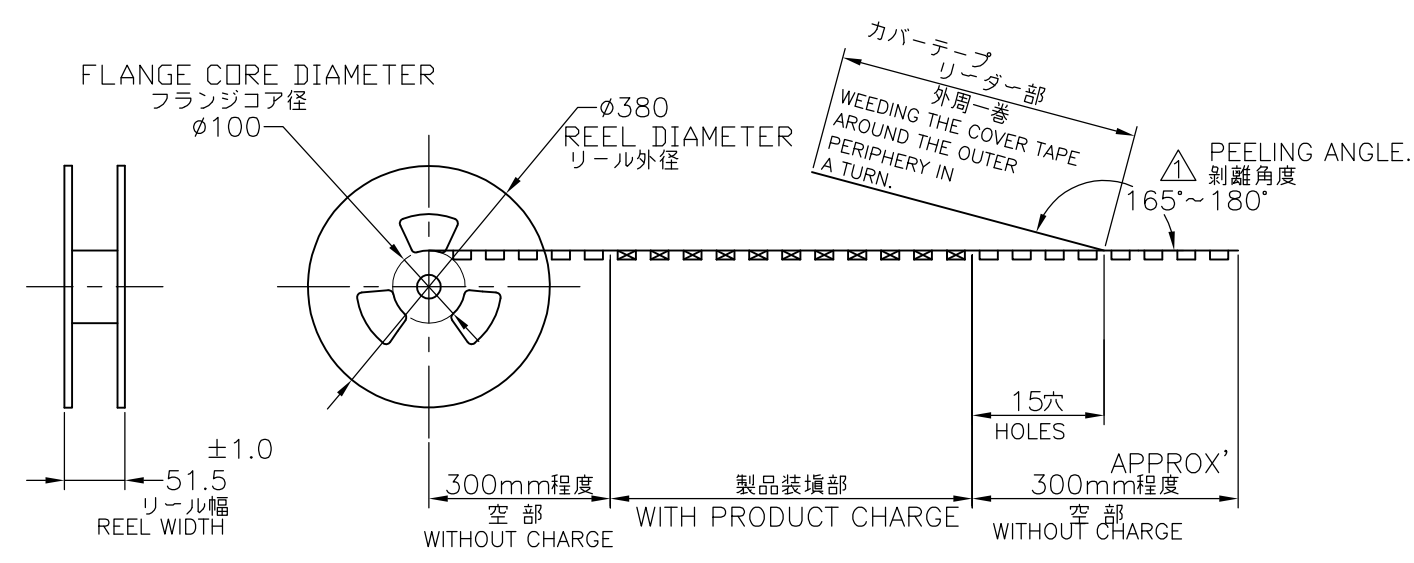
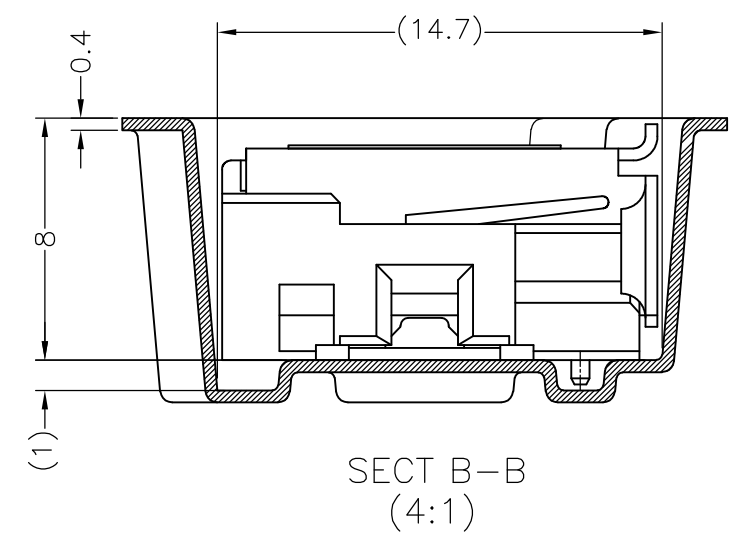
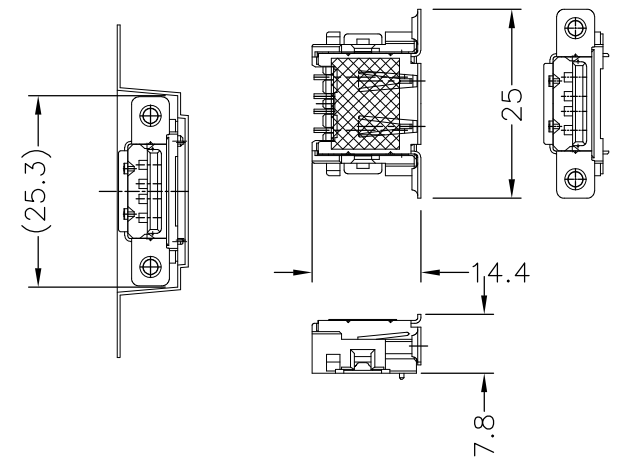
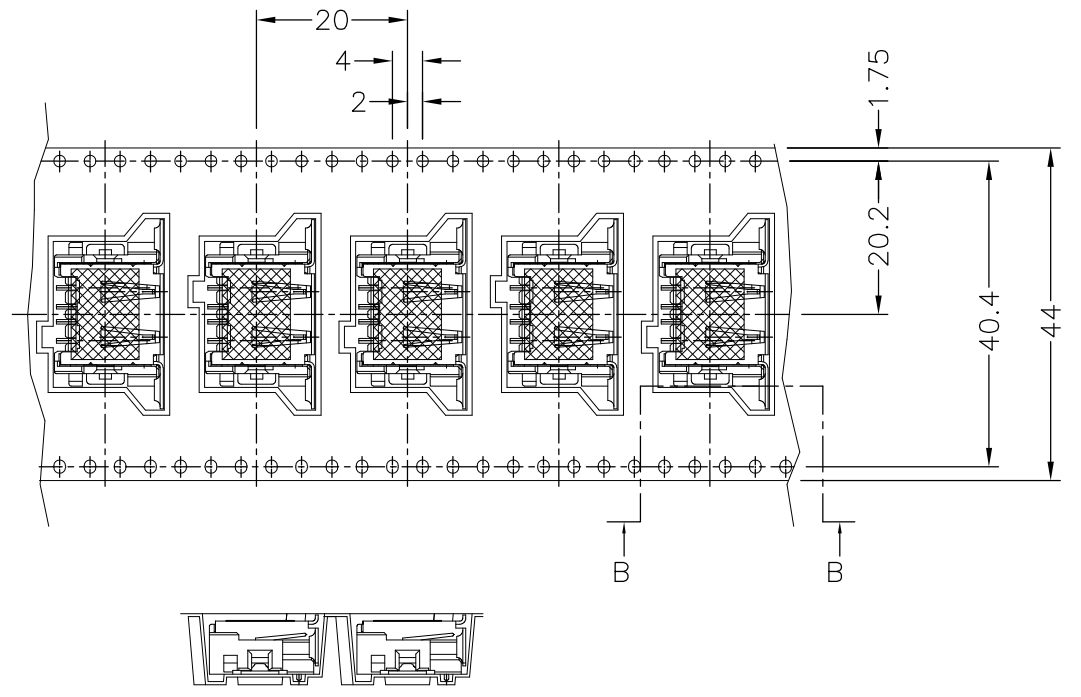
◎	PRODUCING	BLACK	350	4	1-1674429-2	353929-6
◎	PRELIMINARY NOT FOR PRODUCTION	WHITE	350	4	1-1674429-1	△ 353929-5
◎	◎ PRODUCING	BLACK	350	4	1-353583-4	353929-4
◎	PRELIMINARY NOT FOR PRODUCTION	WHITE	350	4	1-353583-3	△ 353929-3
◎	PRELIMINARY NOT FOR PRODUCTION	BLACK	350	4	1-353583-2	△ 353929-2
	PRODUCING	WHITE	350	4	1-353583-1	353929-1
	TOOLING STATUS	HOUSING COLOR	QTY	POS	CONN. P/N	PART NO.

THIS DRAWING IS A CONTROLLED DOCUMENT.		DWN Y.WATANABE 19/MAY/'97	Tyco Electronics AMP K.K. Kawasaki, Japan	
DIMENSIONS: 単位: 耗 MM		CHK T.YAMADA 19/MAY/'97		
TOLERANCES UNLESS OTHERWISE SPECIFIED: 一般公差		APVD T.YAMADA 19/MAY/'97	NAME 名称	
0 PLC ± ±0.3		EMBOSS ASSY		
1 PLC ±		STD TYPE USB CONN. REC. WITH COVER TYPE		
2 PLC ±		PRODUCT SPEC 製品規格 108-5563		
3 PLC ±		APPLICATION SPEC 取付適用規格		
4 PLC ±		SIZE A3	CAGE CODE 00779	DRAWING NO 番号 G-353929
ANGLES ± ±5°		RESTRICTED TO		
MATERIAL 材料		CUSTOMER DRAWING		
FINISH 仕上		SCALE 尺度 1:1 SHEET 1 OF 3 REV C1		

THIS DRAWING IS UNPUBLISHED. RELEASED FOR PUBLICATION
 © COPYRIGHT - BY TYCO ELECTRONICS CORPORATION. ALL RIGHTS RESERVED.

LOC	DIST	REVISIONS					
J		P	LTR	DESCRIPTION	DATE	DWN	APVD

リール引き出し方向
 DIRECTION OFF TOP OF REEL



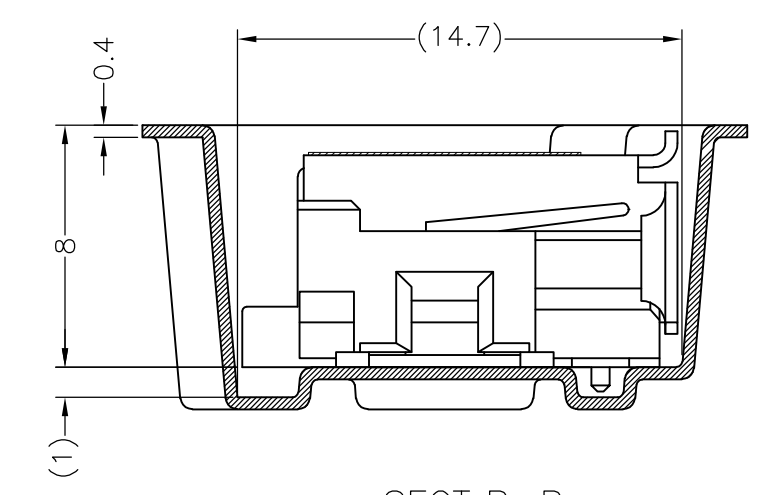
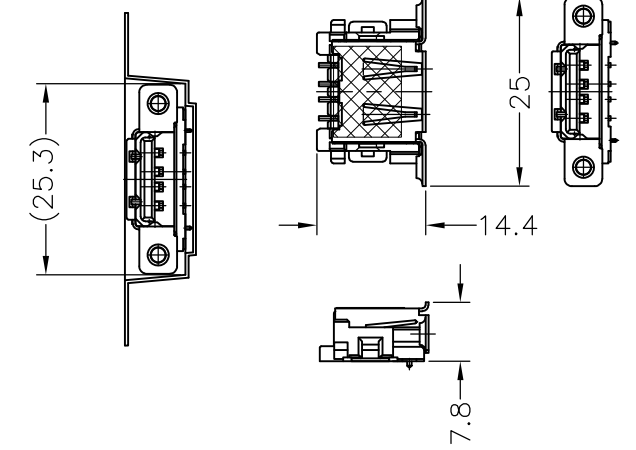
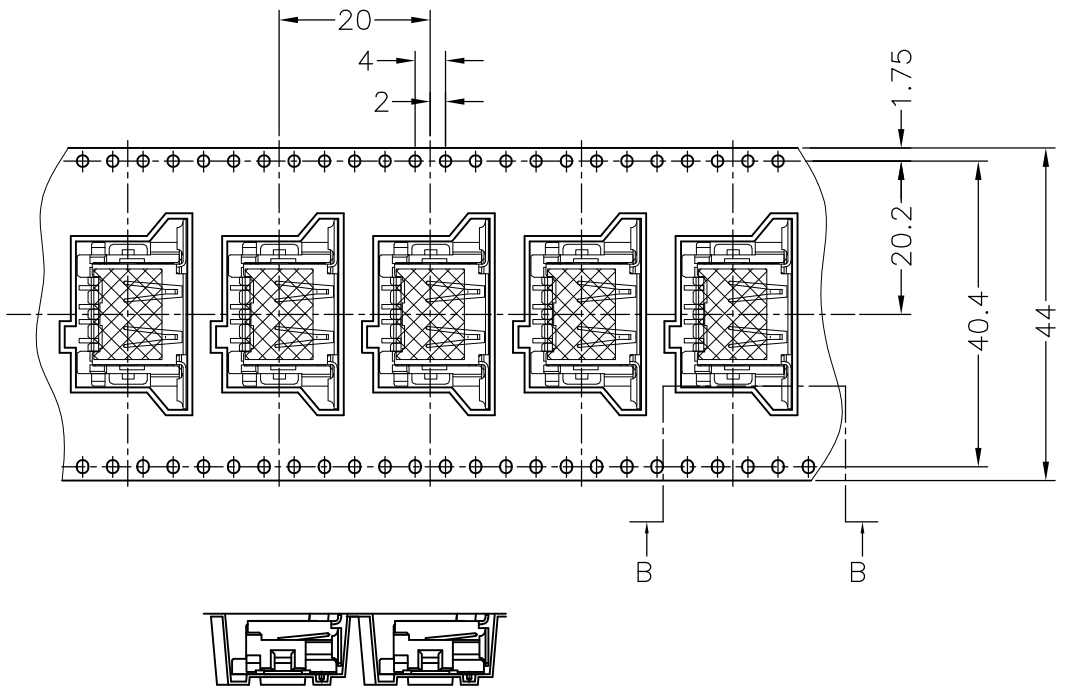
353929-3,4

THIS DRAWING IS A CONTROLLED DOCUMENT.		DWN	Tyco Electronics AMP K.K. Kawasaki, Japan	
DIMENSIONS: 単位: 耗 MM		CHK		
TOLERANCES UNLESS OTHERWISE SPECIFIED: 一般公差		APVD	NAME 名称	
0 PLC ± ±0.3 1 PLC ± 2 PLC ± 3 PLC ± 4 PLC ± ANGLES ± ±5°		PRODUCT SPEC 製品規格	EMBOSS ASSY STD TYPE USB CONN. REC. WITH COVER TYPE	
MATERIAL 材料		FINISH 仕上	APPLICATION SPEC 取付適用規格	RESTRICTED TO
		WEIGHT	SIZE A3	CAGE CODE 00779
		CUSTOMER DRAWING	DRAWING NO 番号 353929	SCALE 尺度 1:1
				SHEET 2 OF 3
				REV C1

THIS DRAWING IS UNPUBLISHED. RELEASED FOR PUBLICATION
 © COPYRIGHT - BY TYCO ELECTRONICS CORPORATION. ALL RIGHTS RESERVED.

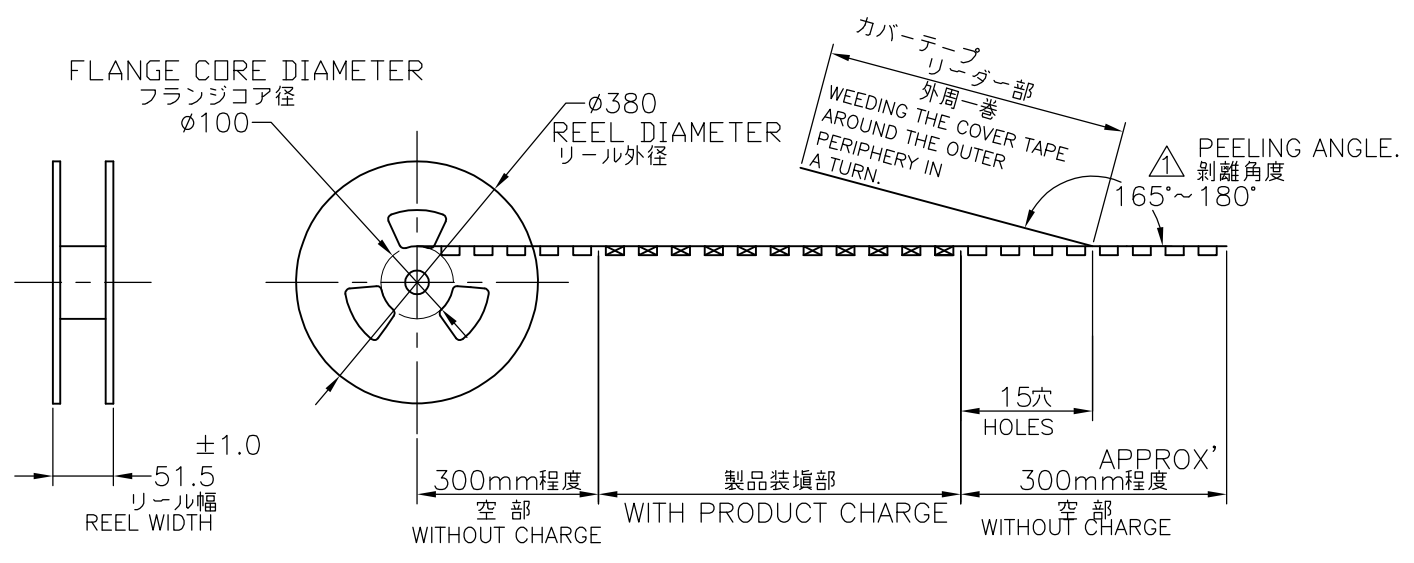
LOC	DIST	REVISIONS					
J		P	LTR	DESCRIPTION	DATE	DWN	APVD

リール引き出し方向
 DIRECTION OFF TOP OF REEL



CONNECTOR DETAIL

SECT B-B
(4:1)



353929-~~5~~,6

THIS DRAWING IS A CONTROLLED DOCUMENT.		DWN	Tyco Electronics AMP K.K. Kawasaki, Japan				
DIMENSIONS: 単位: 耗 MM		CHK					
TOLERANCES UNLESS OTHERWISE SPECIFIED: 一般公差		APVD	NAME 名称				
0 PLC ± ±0.3 1 PLC ± 2 PLC ± 3 PLC ± 4 PLC ± ANGLES ± ±5°		PRODUCT SPEC 製品規格	EMBOSS ASSY STD TYPE USB CONN. REC. WITH COVER TYPE				
MATERIAL 材料		FINISH 仕上	APPLICATION SPEC 取付適用規格	SIZE	CAGE CODE	DRAWING NO 番号	RESTRICTED TO
			WEIGHT	A3	00779	G-353929	-
CUSTOMER DRAWING			SCALE 尺度	1:1	SHEET	3 OF 3	REV C1