



Chipsmall Limited consists of a professional team with an average of over 10 year of expertise in the distribution of electronic components. Based in Hongkong, we have already established firm and mutual-benefit business relationships with customers from,Europe,America and south Asia,supplying obsolete and hard-to-find components to meet their specific needs.

With the principle of "Quality Parts,Customers Priority,Honest Operation,and Considerate Service",our business mainly focus on the distribution of electronic components. Line cards we deal with include Microchip,ALPS,ROHM,Xilinx,Pulse,ON,Everlight and Freescale. Main products comprise IC,Modules,Potentiometer,IC Socket,Relay,Connector.Our parts cover such applications as commercial,industrial, and automotives areas.

We are looking forward to setting up business relationship with you and hope to provide you with the best service and solution. Let us make a better world for our industry!



## Contact us

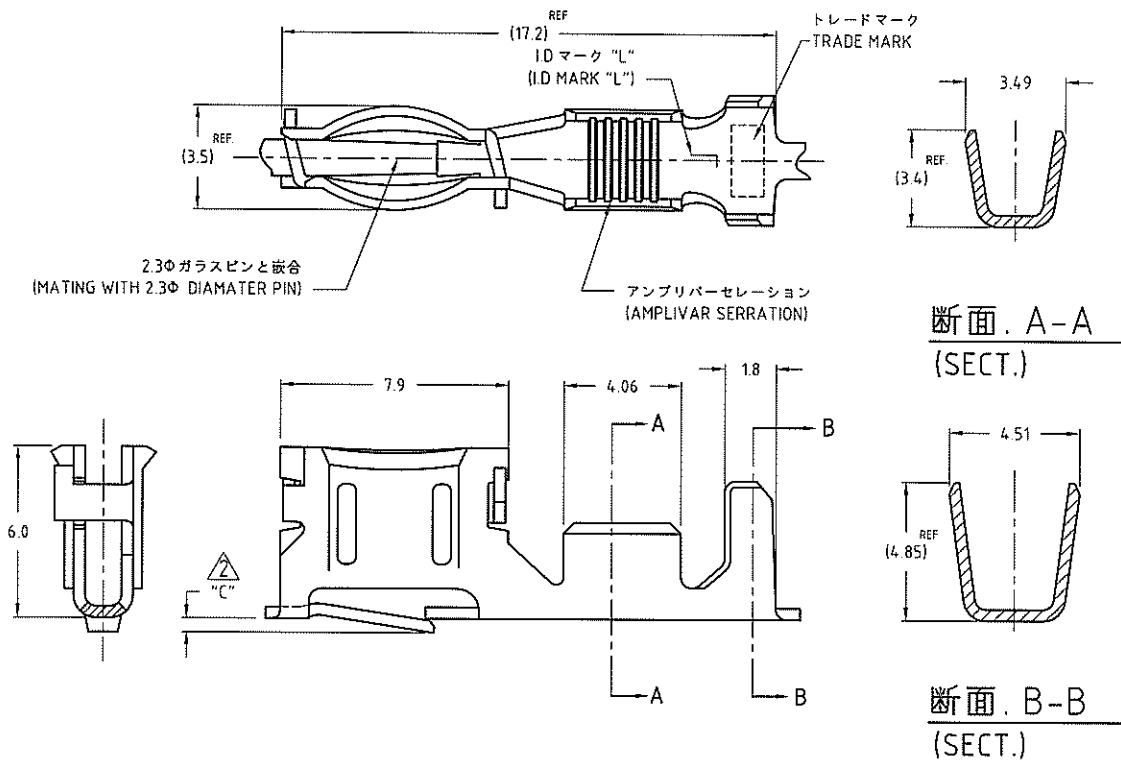
Tel: +86-755-8981 8866 Fax: +86-755-8427 6832

Email & Skype: info@chipsmall.com Web: www.chipsmall.com

Address: A1208, Overseas Decoration Building, #122 Zhenhua RD., Futian, Shenzhen, China



LOC J	DIST	REVISIONS 変更			DATE	OWN	APVD
		P	LTR	DESCRIPTION			
		E1	REVISED	ECR-08-031186	17DEC2008	M.S	N.Y



注：  
1. 適用ハウジング □-171370-□  
△ランス高さ

	圧着前	圧着後
寸法 "C"	0.7MAX	0.7~1.6

NOTES;  
1. APPLICABLE HSG□-171370-□  
△ LANCE HEIGHT

	BEFORE CRIMPING	AFTER CRIMPING
DIMENSION "C"	0.7MAX	0.7~1.6

0.77~2.13mm <sup>2</sup> (AWG #18~#14)	2.0~2.9mm	353937-1
(WIRE RANGE) 抱合電線断面積	(INSULATION DIA) 被覆外径	
		型番 (P/N)

DIMENSIONS: 単位: 寸 mm	DWN J.SATO	23MAY2007	MATERIAL 材料 焼青銅(PHOS-BRO)	FINISH 仕上 錫めっき(TIN PLATED)
	CHK S.MANABE	25MAY2007	Tyco Electronics AMP K.K. Kawasaki, Japan	
	APVD S.MANABE	25MAY2007		
	TOLERANCES UNLESS OTHERWISE SPECIFIED: 一般公差 10 ≥ ± 0.2 > 10 ± 0.25 ± ± ±	PRODUCT SPEC 製品規格 108-5574-1	NAME 名称 (2.3 DIA CLUSTER RECEPTACLE AMPLIVAR TYPE ) 2.3 DIA クラスタ リセプタクル アンプリバー タイプ	
ANGLES ± 3DEG	APPLICATION SPEC 取付適用規格 114-5242-1	SIZE A4	CAGE CODE 00779	DRAWING NO 番号 C= 353937
	WEIGHT	RESTRICTED TO -		
CUSTOMER DRAWING		SCALE 尺度 4:1	SHEET 1 OF 1	REV E1

THIS DRAWING IS UNPUBLISHED.  
 BY TYCO ELECTRONICS CORPORATION.  
 ALL RIGHTS RESERVED.