



Chipsmall Limited consists of a professional team with an average of over 10 year of expertise in the distribution of electronic components. Based in Hongkong, we have already established firm and mutual-benefit business relationships with customers from,Europe,America and south Asia,supplying obsolete and hard-to-find components to meet their specific needs.

With the principle of “Quality Parts,Customers Priority,Honest Operation,and Considerate Service”,our business mainly focus on the distribution of electronic components. Line cards we deal with include Microchip,ALPS,ROHM,Xilinx,Pulse,ON,Everlight and Freescale. Main products comprise IC,Modules,Potentiometer,IC Socket,Relay,Connector.Our parts cover such applications as commercial,industrial, and automotives areas.

We are looking forward to setting up business relationship with you and hope to provide you with the best service and solution. Let us make a better world for our industry!



Contact us

Tel: +86-755-8981 8866 Fax: +86-755-8427 6832

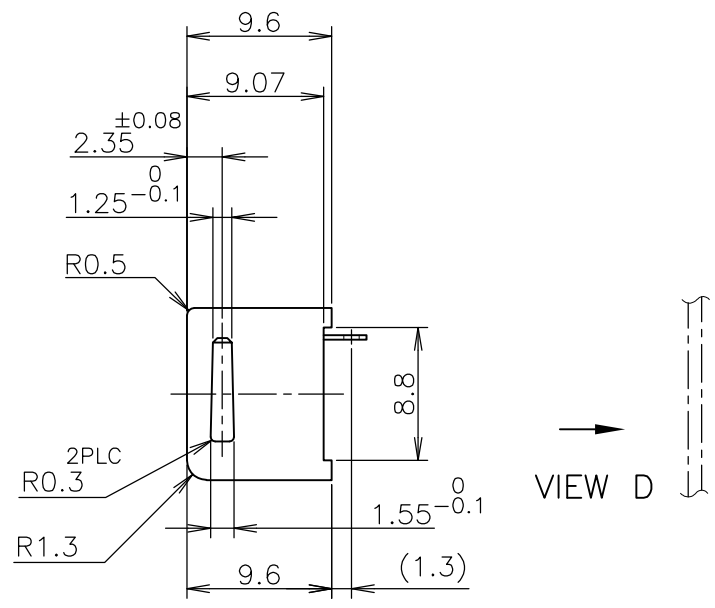
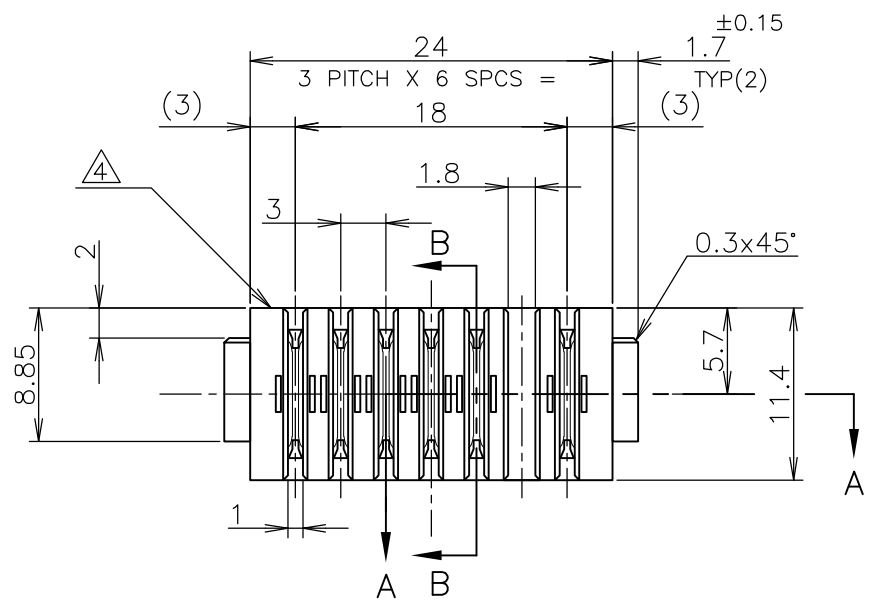
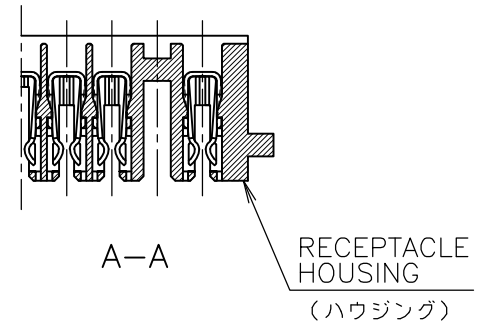
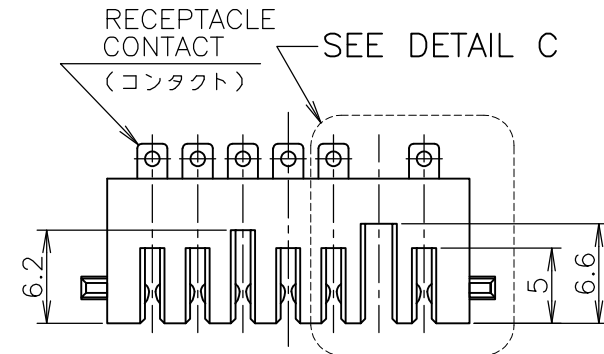
Email & Skype: info@chipsmall.com Web: www.chipsmall.com

Address: A1208, Overseas Decoration Building, #122 Zhenhua RD., Futian, Shenzhen, China



THIS DRAWING IS UNPUBLISHED. RELEASED FOR PUBLICATION
 © COPYRIGHT BY TYCO ELECTRONICS CORPORATION. ALL RIGHTS RESERVED.

LOC	DIST	REVISIONS					
		P	LTR	DESCRIPTION	DATE	DWN	APVD
J		C	REVISED	ECR-08-020195	18NOV08	T.T	T.F



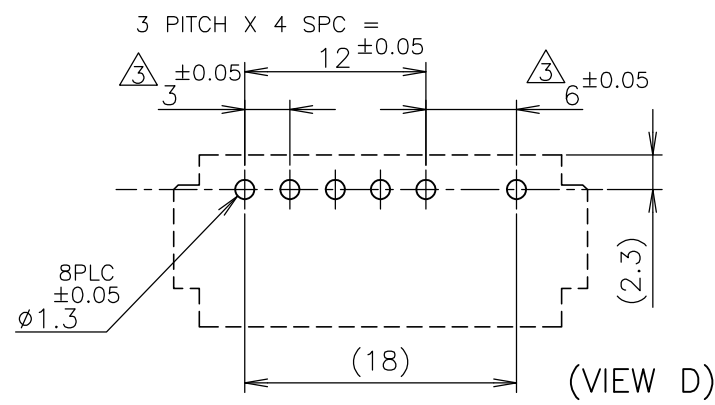
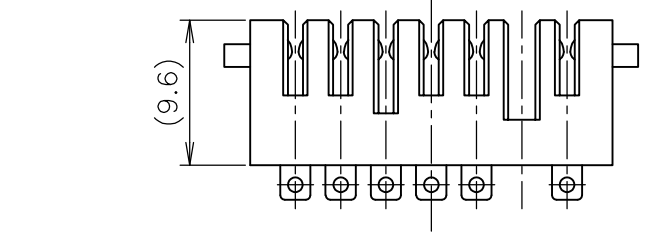
- 1 MATERIAL
 RECEPTACLE HOUSING: THERMOPLASTIC RESIN, UL94V-0, COLOR: BLACK
 RECEPTACLE CONTACT: COPPER ALLOY
- 2 FINISH
 RECEPTACLE CONTACT: NICKEL PL ALL OVER, TIN-LEAD PL AT SOLDER TAB.

- △3 TOLERANCE: NON CUMMULATIVE.
- △4 INDICATE DATE CODE

- 1 材料
 リセプタクル ハウジング: 熱可塑性樹脂, UL94V-0, 色: 黒
 リセプタクル コンタクト: 銅合金
- 2 仕上げ
 リセプタクル コンタクト: 全面ニッケルめっき下地の
 上にソルダータブ部, 半田めっき。

- △3 非累積公差
- △4 デートコード刻印

PROJ NO.695-026



基盤穴参考寸法
 REFERENCE P.C.BOARD HOLES LAYOUT
 (P.C.BOARD THK 0.8~1.0)
 適用型番 (APPLY P/N 5-353289-1)

GENERAL TOLERANCE 一般公差

10 ≥	±0.2
30 ≥ > 10	±0.25
100 ≥ > 30	±0.3
ANGLES: ±3°	

THIS DRAWING IS A CONTROLLED DOCUMENT.		DWN S.ABE 08AUG96	Tyco Electronics Corporation Kawasaki, Japan	
DIMENSIONS: 単位: 耗 mm		CHK T.YAMADA 19AUG96		
TOLERANCES UNLESS OTHERWISE SPECIFIED: 一般公差		APVD T.YAMADA 19AUG96	NAME 名称	
		PRODUCT SPEC 製品規格	RECEPTACLE ASSEMBLY 3mm PITCH BATTERY CONNECTOR	
		APPLICATION SPEC 取付適用規格		
MATERIAL 材料	FINISH 仕上	WEIGHT	SIZE A3	CAGE CODE 00779
CUSTOMER DRAWING		DRAWING NO 番号 G-353289	RESTRICTED TO	
		SCALE 尺度 2:1	SHEET 1 OF 2	REV C

1-353289-1: 本図 AS SHOWN

TYPE DIP (6P)	5-353289-1
TYPE SPOT (6P)	3-353289-1
TYPE WIRE (6P)	1-353289-1
REMARKS	P/NO.

THIS DRAWING IS UNPUBLISHED.

RELEASED FOR PUBLICATION

© COPYRIGHT

BY TYCO ELECTRONICS CORPORATION.

ALL RIGHTS RESERVED.

LOC
J

DIST

REVISIONS

変更

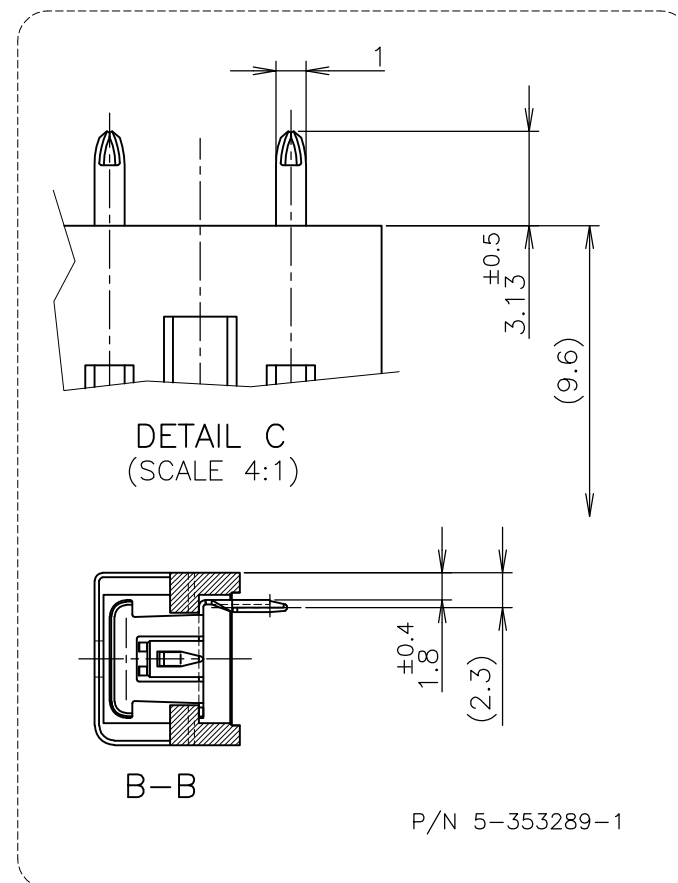
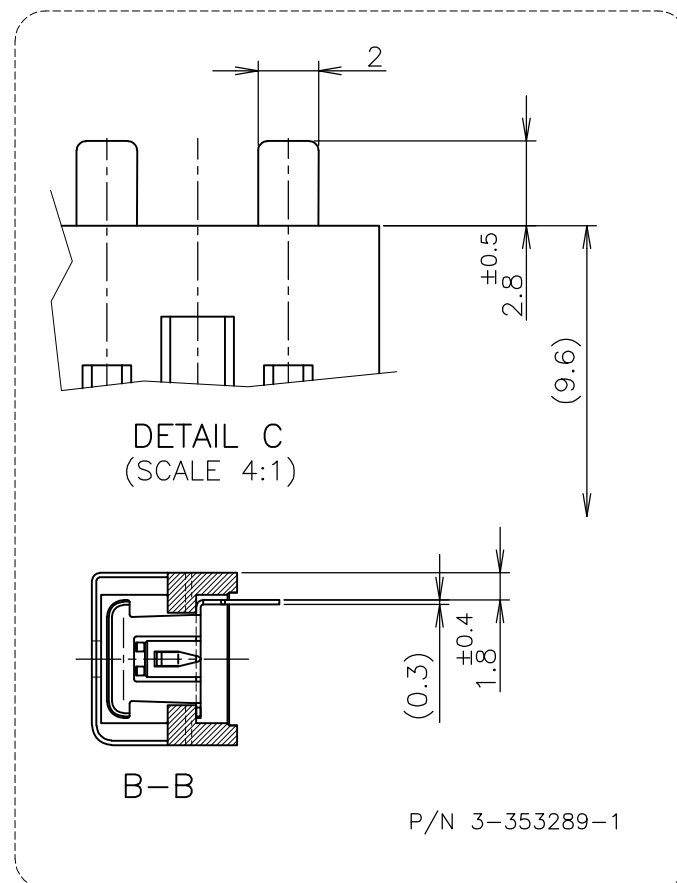
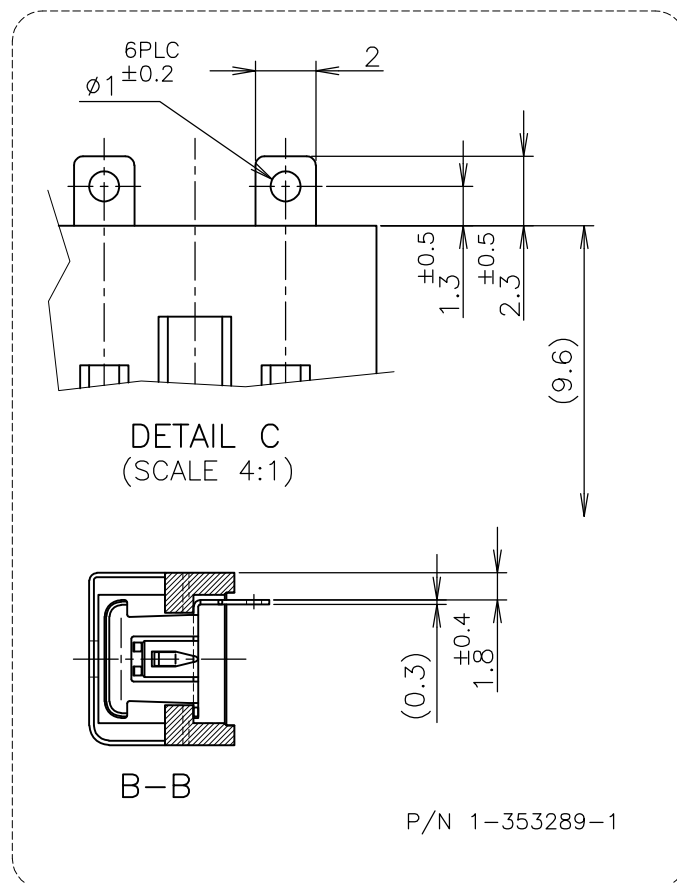
DESCRIPTION

DATE

DWN

APVD

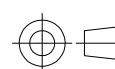
SEE SHEET 1



THIS DRAWING IS A CONTROLLED DOCUMENT.

DIMENSIONS:
単位: 耗
mm

TOLERANCES UNLESS
OTHERWISE SPECIFIED:
一般公差



- 0 PLC ±
- 1 PLC ±
- 2 PLC ±
- 3 PLC ±
- 4 PLC ±
- ANGLES ±
- FINISH 仕上

MATERIAL
材料

DWN

CHK

APVD

PRODUCT SPEC
製品規格

APPLICATION SPEC
取付適用規格

WEIGHT



Tyco Electronics Corporation
Kawasaki, Japan

NAME
名称

RECEPTACLE ASSEMBLY
3mm PITCH BATTERY CONNECTOR

SIZE

CAGE CODE

DRAWING NO
番号

RESTRICTED TO

A3 00779

G-353289

CUSTOMER DRAWING

SCALE
尺度 2:1

SHEET
2 OF 2

REV
C