



Chipsmall Limited consists of a professional team with an average of over 10 year of expertise in the distribution of electronic components. Based in Hongkong, we have already established firm and mutual-benefit business relationships with customers from,Europe,America and south Asia,supplying obsolete and hard-to-find components to meet their specific needs.

With the principle of “Quality Parts,Customers Priority,Honest Operation,and Considerate Service”,our business mainly focus on the distribution of electronic components. Line cards we deal with include Microchip,ALPS,ROHM,Xilinx,Pulse,ON,Everlight and Freescale. Main products comprise IC,Modules,Potentiometer,IC Socket,Relay,Connector.Our parts cover such applications as commercial,industrial, and automotives areas.

We are looking forward to setting up business relationship with you and hope to provide you with the best service and solution. Let us make a better world for our industry!



## Contact us

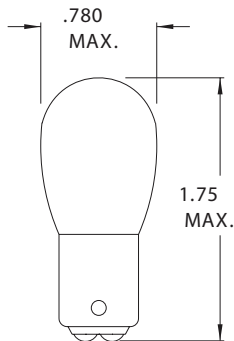
Tel: +86-755-8981 8866 Fax: +86-755-8427 6832

Email & Skype: info@chipsmall.com Web: www.chipsmall.com

Address: A1208, Overseas Decoration Building, #122 Zhenhua RD., Futian, Shenzhen, China

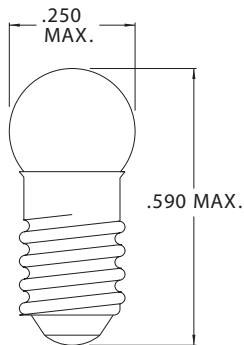


## B-6 Double Contact Bayonet Base



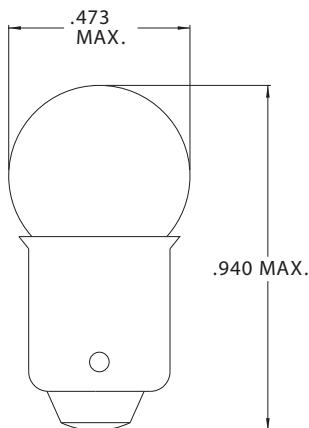
Part Number	Design Voltage	Amps	MSCP	Life Hours	Filament Type
CM210	6.5	1.78	15.0	100	C-6
CM1014	6.6	1.50	10.0	200	C-6
CM1061	6.7	1.80	13.0	400	C-6
CM104	12.8	1.00	12.0	500	C-6
CM1004	12.8	.94	15.0	100	C-6

## G-2 Midget Screw Base



Part Number	Design Voltage	Amps	MSCP	Life Hours	Filament Type
CM162	7.0	.065	.085	1,000	C-2V
CM163	14.0	.065	.066	1,000	C-2F
CM333	28.0	.040	.320	1,000	C-2F

## G-3 1/2 Miniature Bayonet Base



Part Number	Design Voltage	Amps	MSCP	Life Hours	Filament Type
CM354	2.47	.300	.50	15	C-2R
CM130	6.3	.150	.32	5,000	C-2R
CM219	6.3	.250	.50	5,000	C-2V
CM137	6.6	.250	.55	5,000	C-2R
CM51	7.5	.220	1.0	1,000	C-2R
CM363	14.0	.200	2.0	250	C-2V
CM53	14.4	.120	1.0	1,000	C-2V
CM53X	14.4	.120	.75	3,000	C-2V
CM182	14.4	.180	1.0	2,000	C-2F
CM250	14.4	.120	.50	2,500	C-2F
CM1445	14.4	.135	.70	2,000	C-2V
CM1450	24.0	.035	.23	3,000	C-2F
CM265	28.0	.080	.75	5,000	C-2F
CM356	28.0	.170	3.5	500	C-2V