



Chipsmall Limited consists of a professional team with an average of over 10 year of expertise in the distribution of electronic components. Based in Hongkong, we have already established firm and mutual-benefit business relationships with customers from,Europe,America and south Asia,supplying obsolete and hard-to-find components to meet their specific needs.

With the principle of “Quality Parts,Customers Priority,Honest Operation,and Considerate Service”,our business mainly focus on the distribution of electronic components. Line cards we deal with include Microchip,ALPS,ROHM,Xilinx,Pulse,ON,Everlight and Freescale. Main products comprise IC,Modules,Potentiometer,IC Socket,Relay,Connector.Our parts cover such applications as commercial,industrial, and automotives areas.

We are looking forward to setting up business relationship with you and hope to provide you with the best service and solution. Let us make a better world for our industry!



## Contact us

Tel: +86-755-8981 8866 Fax: +86-755-8427 6832

Email & Skype: info@chipsmall.com Web: www.chipsmall.com

Address: A1208, Overseas Decoration Building, #122 Zhenhua RD., Futian, Shenzhen, China



## The Extractor Operation, Installation, and Maintenance



Made in America

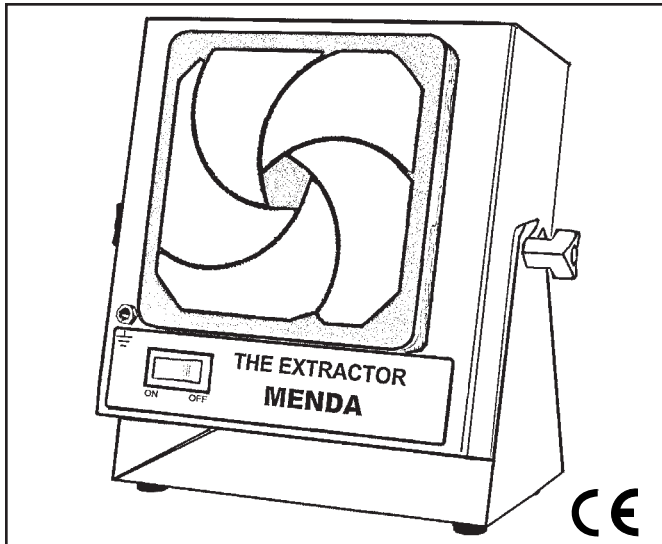


Figure 1: The Extractor, item 35940

### Description

Menda®'s The Extractor, is a heavy duty, light weight smoke diverter. The unit is specifically designed to divert or redirect soldering smoke away from the operator's face, thereby making the soldering process safer and more comfortable. The quiet, high volume, fan and replaceable foam filter capture much of the smoke and airborne particulate passing through it. The unit's compact size and versatile mounting hardware make it perfect for densely populated workstations.

The Extractor is constructed from heavy gauge, stainless steel, and white powder coated aluminum for durability and long life. The secondary benefit is that the enclosure is ESD protected and corrosion proof. The Extractor also comes standard with a grounded banana jack receptacle. This makes the unit suitable and convenient for bench top, as well as field service applications.

Additional convenience features include a lighted On-Off rocker switch, user replaceable filters, and an optional swing arm.

Item #	Description
35940	The Extractor, 120 VAC
35943	The Extractor, 220 VAC
35941	Adjustable Swing Arm, C-Clamp Bracket
35942	Three (3) Replaceable Foam Filters

### Initial Inspection

Remove The Extractor from its shipping container and inspect for damage. Included in the container should be:

- 1 Air Filter
- 1 Stand Assembly with Hardware
- 1 Power Cord (120 Volt Only)

### Installing Stand Assembly

To install the stand assembly, follow the procedure shown in Figure 2. The unit may be used freestanding on the work surface with the rubber feet, or the feet may be removed, and the unit can be bolted down. For best results, mount the unit so that the intake and exhaust areas are free from obstructions.

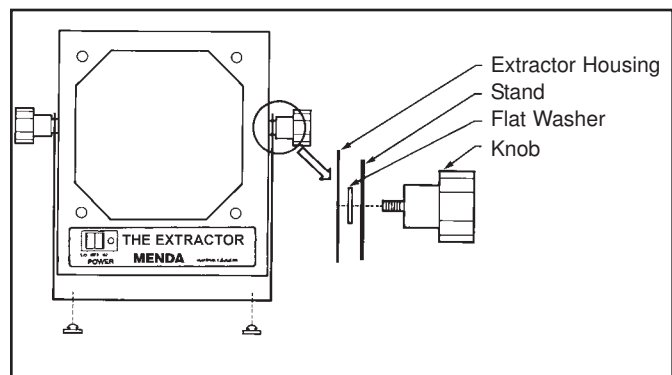


Figure 2: Installing stand assembly

### Alternative Mounting

The optional 35941 Swing Arm is designed as a mounting alternative for The Extractor. The 35941 allows The Extractor to be mounted off of the work surface, thereby saving valuable work space and allowing the operator to locate the unit in the most desirable location. The Swing Arm includes a C-Clamp style mounting bracket that is compatible with many standard thicknesses of electronics workbenches in use today. Figure 3 shows the proper mounting method. The Swing Arm comes standard with an internal 120 VAC power cord with IEC termination.

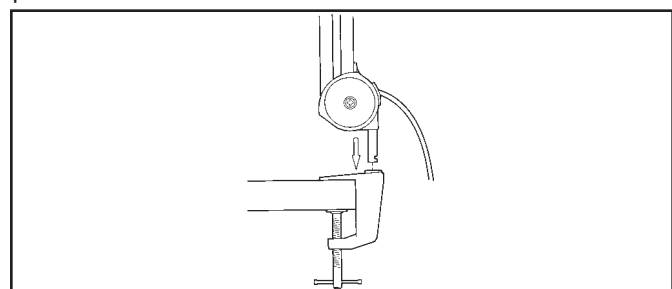
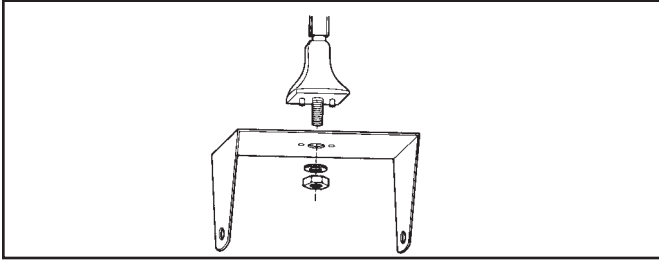


Figure 3: Installing Swing Arm on workbench

3651 Walnut Avenue, Chino, CA 91710

Phone: (909) 627-2453 • Fax (951) 755-8848 • Web Site: MendaPump.com

The Swing Arm's custom neckpiece allows for easy mounting of a standard The Extractor via the installed stand assembly. The Extractor should be mounted to the stand and neckpiece as shown in Figure 4.



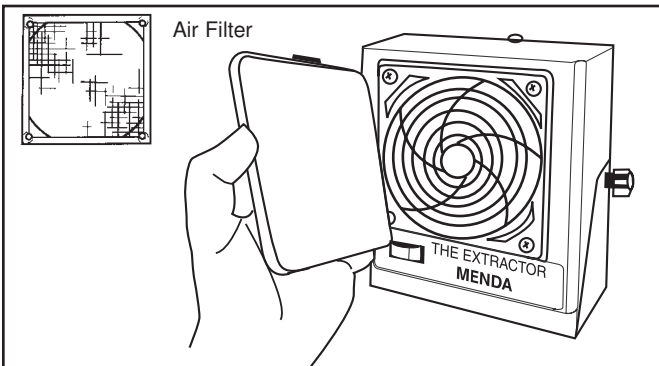
**Figure 4:** Installing The Extractor to Swing Arm

### Operation

Plug the unit into a properly grounded electrical outlet. Place the front grill side of the unit as close to the smoke source as possible, without interfering with the user's operation. Make sure the exhaust side of the unit is free from obstruction and away from the user's face. Turn the lighted rocker switch to the **on** position. The Extractor is now ready to extract smoke and particulate away from the operator. A standard banana jack receptacle is located on the front of the unit to allow for grounding of a wrist strap and cord assembly for ESD control purposes. For safety reasons, only ground cords with resistors of the proper value should be used with The Extractor.

### User Maintenance

The replaceable foam filter on the intake side of The Extractor is the only user serviceable part. To replace the filter, place the lighted rocker switch to the **off** position and unplug the unit from the building's electrical outlet. Simply unsnap the plastic holder from the unit, dispose of the soiled filter, replace with a new filter (35942), and remount the plastic holder. The longevity of the filter will vary depending on how often The Extractor is used and how clean the environment is that it is placed in. A good rule of thumb is, "When it looks dirty, it's time to replace it." If the unit needs further maintenance, contact Menda's customer service department for an RMA.



**Figure 5:** Replace the filter.

### Specifications

Input:	
35940	120 VAC - 50-60 Hz, 200mA
35943	220 VAC - 50-60 Hz, 120mA
Fuse Type:	Fast Blow 1 amp
Cord:	
35940	7'6" IEC cord set
35941	Internal
35943	No cord supplied
Airflow:	80 CFM
Weight:	
35940, 35943	3.0 pounds
35941	2.0 pounds
Dimensions:	
35940, 35943	without stand - 6.7" x 6.6" x 3.5"
35940, 35943	with stand - 8.5" x 7.75"
	Base: 6.8" x 3.4"
	Holes: 0.122" in diameter, in a
	5.83" x 2.4" rectangular pattern
35941	40" usable reach
35941	Diameter of the stem: 1/2"

### Adjustment and Calibration

None needed.

### Limited Warranty

Menda expressly warrants that for a period of one (1) year from the date of purchase, Menda Extractors will be free of defects in material (parts) and workmanship (labor). Within the warranty period, the product will be tested, repaired, or replaced at Menda's option, free of charge. Call our Customer Service Department at 909-627-2453 for a Return Material Authorization (RMA) and proper shipping instructions and address. Include a copy of your original packing slip, invoice, or other proof of purchase date. Any unit under warranty should be shipped prepaid to the Menda factory. Warranty repairs will take approximately two weeks.

If your unit is out of warranty, call Customer Service at 909-627-2453 for a Return Material Authorization (RMA) and proper shipping instructions and address. Menda will quote repair charges necessary to bring your unit up to factory standards.

### Warranty Exclusions

THE FOREGOING EXPRESS WARRANTY IS MADE IN LIEU OF ALL OTHER PRODUCT WARRANTIES, EXPRESSED AND IMPLIED, INCLUDING MERCHANTABILITY AND FITNESS FOR A PARTICULAR PURPOSE WHICH ARE SPECIFICALLY DISCLAIMED. The express warranty will not apply to defects or damage due to accidents, neglect, misuse, alterations, operator error, or failure to properly maintain, clean or repair products.

### Limit of Liability

In no event will Menda or any seller be responsible or liable for any injury, loss or damage, direct or consequential, arising out of the use of or the inability to use the product. Before using, users shall determine the suitability of the product for their intended use, and users assume all risk and liability whatsoever in connection therewith.

3651 Walnut Avenue, Chino, CA 91710

Phone: (909) 627-2453 • Fax (951) 755-8848 • Web Site: MendaPump.com