



Chipsmall Limited consists of a professional team with an average of over 10 year of expertise in the distribution of electronic components. Based in Hongkong, we have already established firm and mutual-benefit business relationships with customers from,Europe,America and south Asia,supplying obsolete and hard-to-find components to meet their specific needs.

With the principle of “Quality Parts,Customers Priority,Honest Operation,and Considerate Service”,our business mainly focus on the distribution of electronic components. Line cards we deal with include Microchip,ALPS,ROHM,Xilinx,Pulse,ON,Everlight and Freescale. Main products comprise IC,Modules,Potentiometer,IC Socket,Relay,Connector.Our parts cover such applications as commercial,industrial, and automotives areas.

We are looking forward to setting up business relationship with you and hope to provide you with the best service and solution. Let us make a better world for our industry!



Contact us

Tel: +86-755-8981 8866 Fax: +86-755-8427 6832

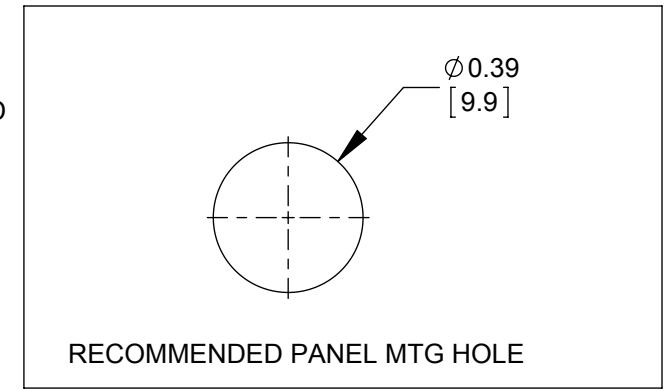
Email & Skype: info@chipsmall.com Web: www.chipsmall.com

Address: A1208, Overseas Decoration Building, #122 Zhenhua RD., Futian, Shenzhen, China

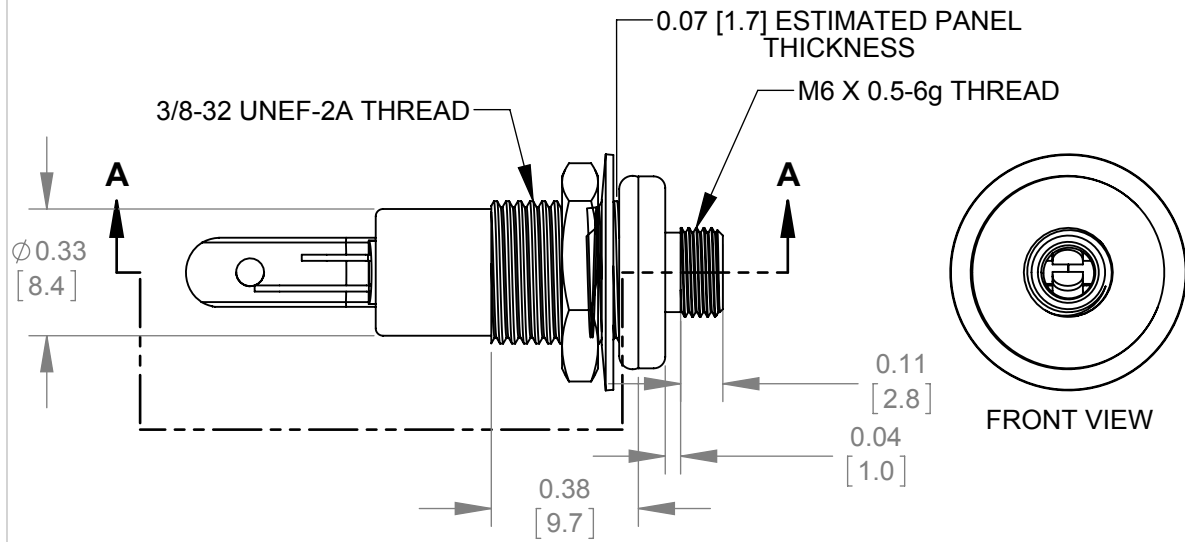


35FM3

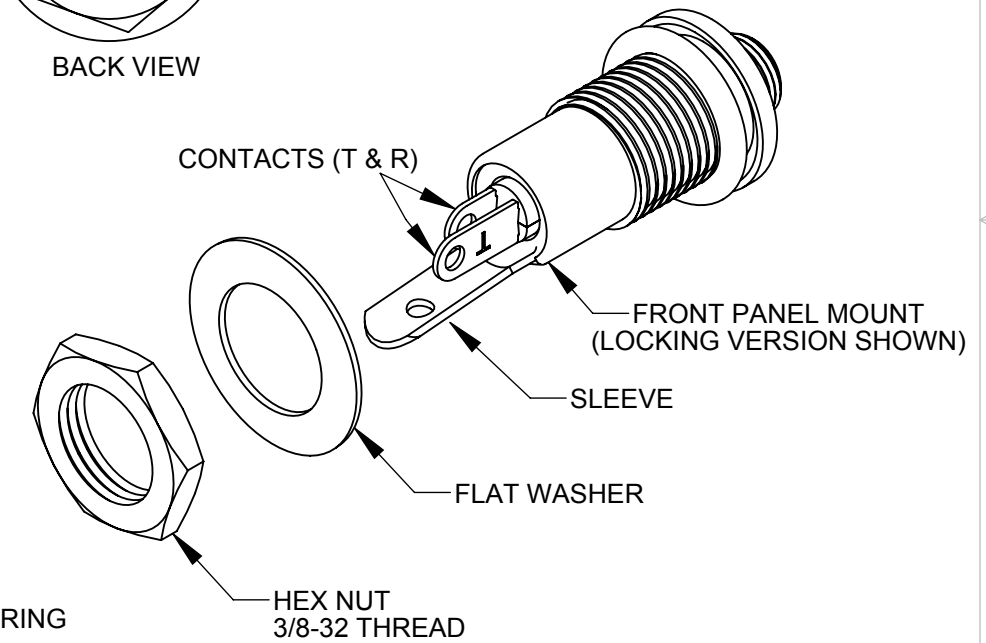
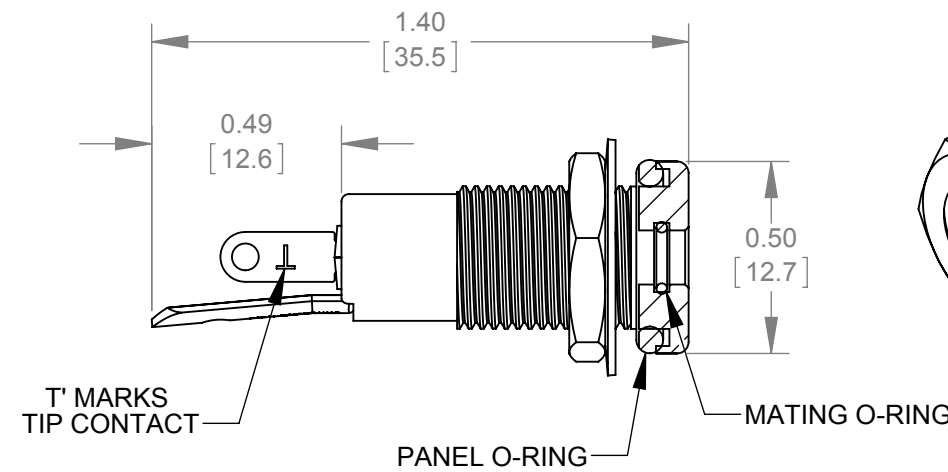
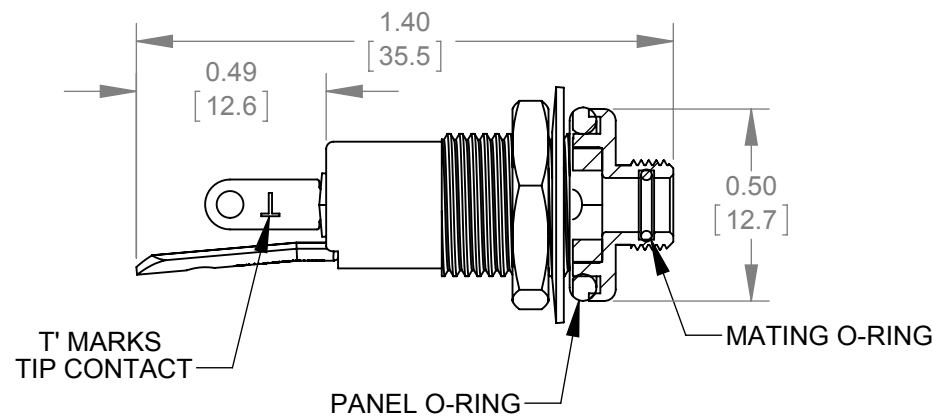
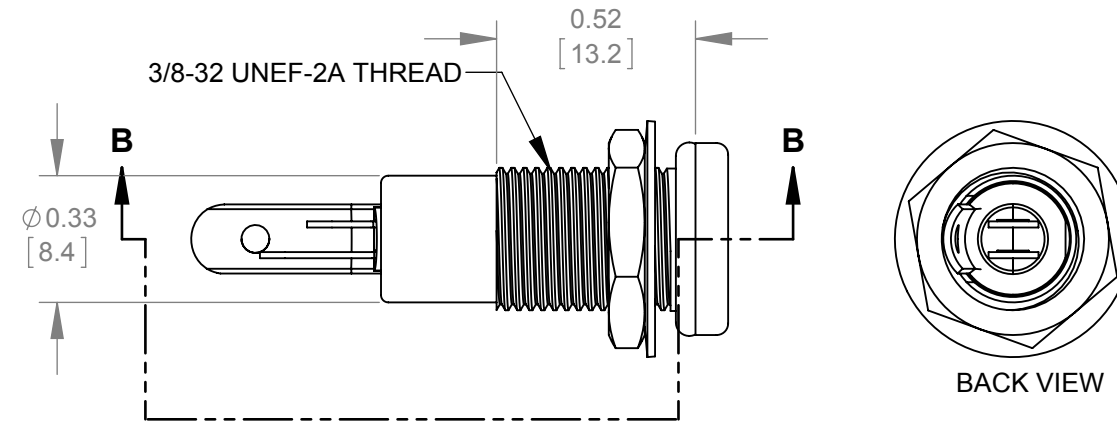
- S - SEALED
BLANK - NON SEALED
- L - LOCKING
BLANK - NON LOCKING
- AU - GOLD
BLANK - SILVER



LOCKING & SEALED ASSEMBLY SHOWN



NON LOCKING & SEALED ASSEMBLY SHOWN



NOTES:

1. USE SWITCHCRAFT'S 3.5MM LOCKING STEREO PLUG FOR MATING.
2. DIMENSIONS SHOWN FOR REFERENCE ONLY.
3. HEX NUT, WASHER AND O-RINGS ARE PROVIDED ASSEMBLED TO THE HOUSING ASSEMBLY. NO O-RINGS SUPPLIED WITH NON SEALED VERSIONS.
4. MATERIAL:
HOUSINGS, HEX NUT - COPPER ALLOY, NICKEL PLATED
FLAT WASHERS - STEEL, NICKEL PLATED
CONTACTS - BERYLLIUM COPPER, SILVER PLATED
O-RINGS - NITRILE RUBBER, 70 DUROMETER
5. THIS PRODUCT IS RoHS COMPLIANT.

**PRELIMINARY
CUSTOMER DRAWING**

					THIS DRAWING DESCRIBES A DESIGN CONSIDERED PROPRIETARY IN NATURE, DEVELOPED AND MANUFACTURED BY SWITCHCRAFT INC. AND IS RELEASED ON A CONFIDENTIAL BASIS FOR IDENTIFICATION PURPOSES ONLY.						
					UNLESS OTHERWISE SPECIFIED	SIZE *	WIDTH *	MULT *	LBS/M *	TEMPER *	
					1. ALL DIMENSIONS IN INCHES [mm]						
					- TWO PLACE DECIMALS ±0.02 [0.5]						
					- THREE PLACE DECIMALS ±0.005 [0.13]						
					FINISH *				MATERIAL *		
					SPEC No. *				SPEC No. *		
					FIRST USED ON *				SCALE 2:1		
					DATE DRAWN	BY	CHKD	APVD	Switchcraft [®]		
					02/09/17	AM	*	*			
0A	FIRST DRAWN	02/09/17	AM	*	NAME 3.5MM JACK ASSM				PART No. 35FM3 SERIES		
REV	ECO NUMBER	DATE	BY	APVD	DO NOT SCALE DRAWING				REV 0A		
REVISIONS											