



Chipsmall Limited consists of a professional team with an average of over 10 year of expertise in the distribution of electronic components. Based in Hongkong, we have already established firm and mutual-benefit business relationships with customers from,Europe,America and south Asia,supplying obsolete and hard-to-find components to meet their specific needs.

With the principle of “Quality Parts,Customers Priority,Honest Operation,and Considerate Service”,our business mainly focus on the distribution of electronic components. Line cards we deal with include Microchip,ALPS,ROHM,Xilinx,Pulse,ON,Everlight and Freescale. Main products comprise IC,Modules,Potentiometer,IC Socket,Relay,Connector.Our parts cover such applications as commercial,industrial, and automotives areas.

We are looking forward to setting up business relationship with you and hope to provide you with the best service and solution. Let us make a better world for our industry!



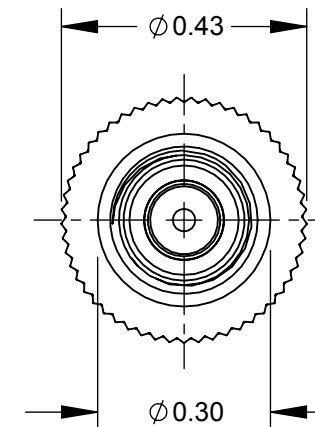
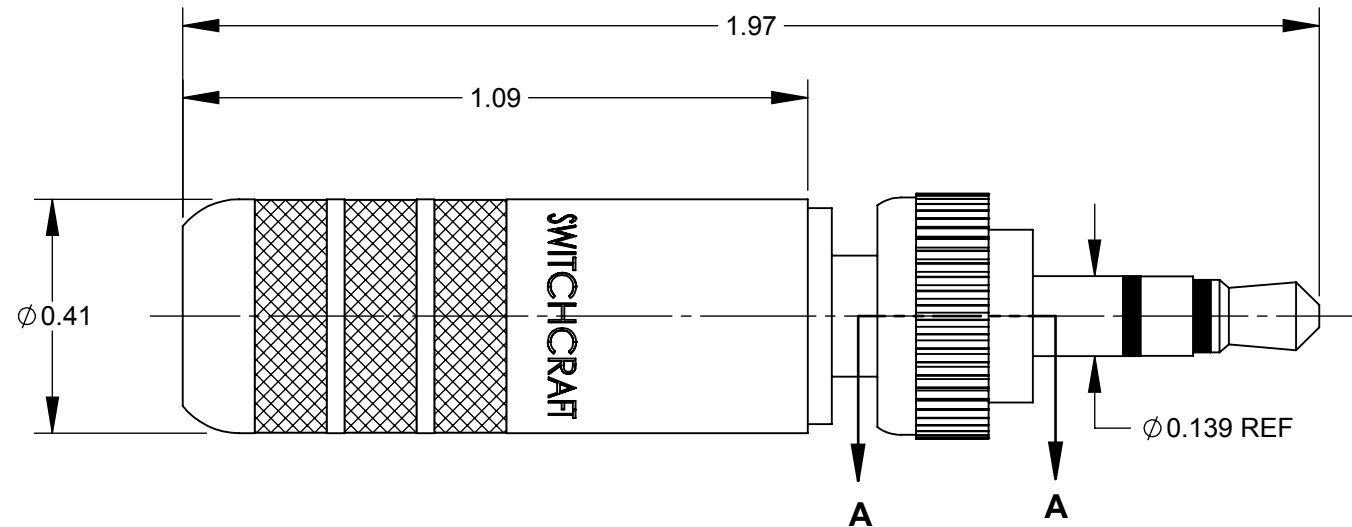
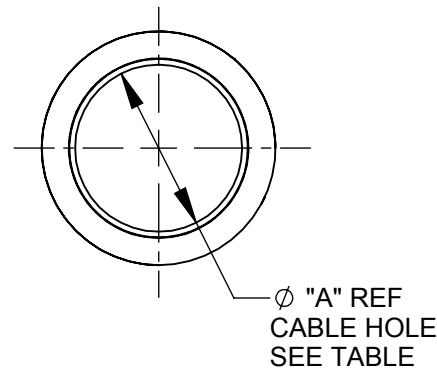
Contact us

Tel: +86-755-8981 8866 Fax: +86-755-8427 6832

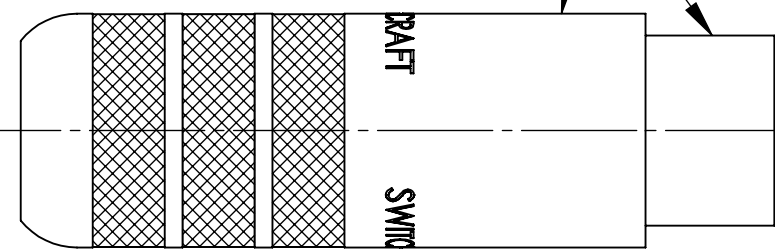
Email & Skype: info@chipsmall.com Web: www.chipsmall.com

Address: A1208, Overseas Decoration Building, #122 Zhenhua RD., Futian, Shenzhen, China

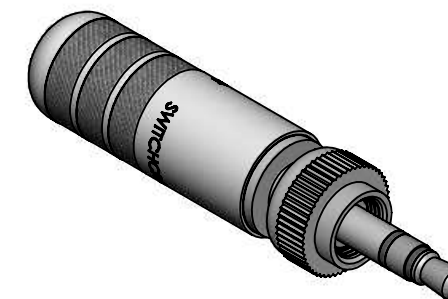
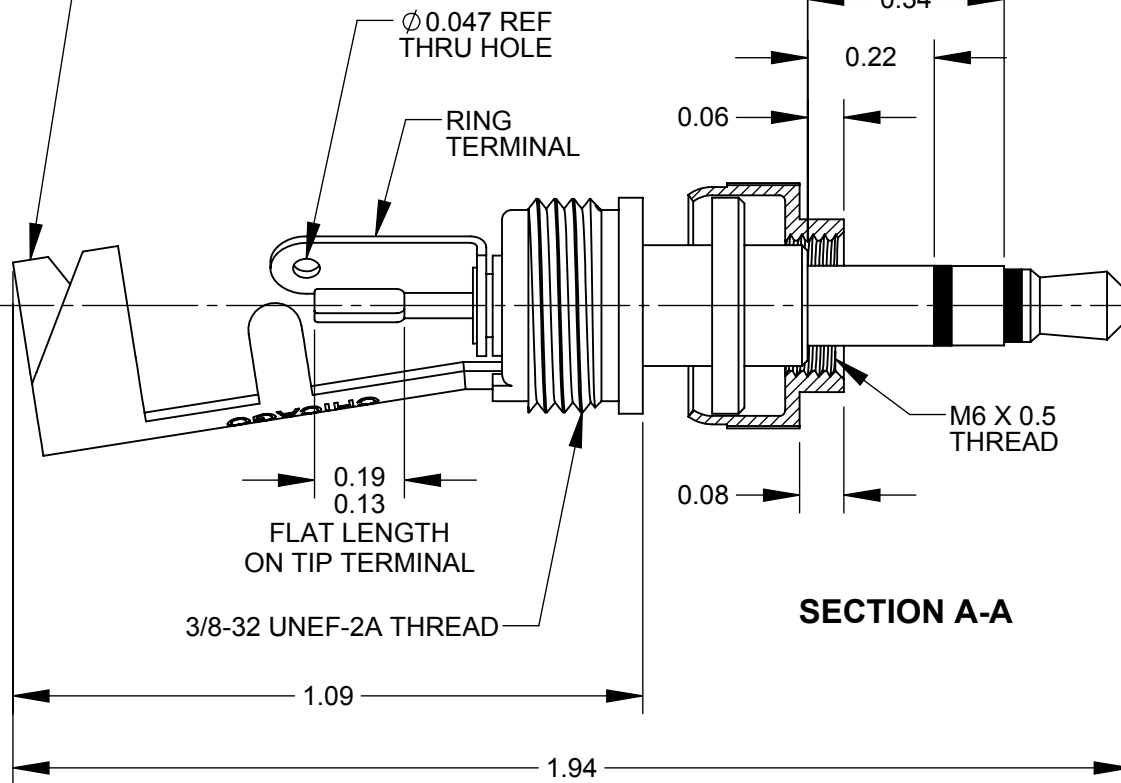




HANDLE & TUBULAR INSULATOR SHIPPED UNASSEMBLED



CABLE CLAMP (SLEEVE TERMINAL)



PART NUMBER	HANDLE FINISH	PLUG FINISH	Ø "A" REF CABLE HOLE
35HDLBAU	BLACK MATTE	GOLD PLATED	Ø 0.290
35HDLBAUS	BLACK MATTE	GOLD PLATED	Ø 0.175
35HDLBN	BLACK MATTE	TIN PLATED	Ø 0.290
35HDLBNS	BLACK MATTE	TIN PLATED	Ø 0.175
35HDLNAU	NICKEL PLATED	GOLD PLATED	Ø 0.290
35HDLNAUS	NICKEL PLATED	GOLD PLATED	Ø 0.175
35HDLNNA	NICKEL PLATED	TIN PLATED	Ø 0.290
35HDLNNS	NICKEL PLATED	TIN PLATED	Ø 0.175

NOTES:

1. SPECIFICATIONS:

CONTACT RESISTANCE: 20 MILIOHMS MAX.
 DIELECTRIC WITHSTANDING VOLTAGE - 250 VAC MIN
 INSULATION RESISTANCE @ 500 VDC - 2,000 MEGAOHMS MIN
 MAX WORKING VOLTAGE - 250 VAC, 140VDC
 CURRENT CARRY @ WORKING VOLTAGE - 4 AMPS
 INSERT / WITHDRAWAL FORCE - TYPICAL 2.5/2 LBS
 TEMPERATURE RANGE: -20°C TO 85°C (OPERATING)
 THERMAL SHOCK - MIL-STD-202, METHOD 107G
 VIBRATION - MIL-STD-202, METHOD 201
 LIFE - 5,000 CYCLES

2. MATERIALS:

PLUG BODY, TIP ROD & RING - COPPER ALLOY, TIN OR GOLD PLATED
 PLUG INSULATION - THERMOPLASTIC, BLACK
 RING TERMINAL - COPPER ALLOY, TIN PLATED
 CABLE CLAMP - STEEL, TIN PLATED
 COUPLING RING - COPPER ALLOY, NICKEL PLATED
 HANDLE - COPPER ALLOY, NICKEL PLATED OR BLACK EPOXY
 TUBULAR INSULATOR - MYLAR

3. THESE PRODUCTS ARE RoHS COMPLIANT.

CUSTOMER DRAWING

REV	ECO NUMBER	DATE	BY	APVD
A	26681	1-7-11	TO	TJK
REVISIONS				

UNLESS OTHERWISE SPECIFIED
 1. ALL DIMENSIONS IN INCHES
 - TWO PLACE DECIMALS ±0.02
 - THREE PLACE DECIMALS ±0.005

DO NOT SCALE DRAWING

THIS DRAWING DESCRIBES A DESIGN CONSIDERED PROPRIETARY IN NATURE, DEVELOPED AND MANUFACTURED BY SWITCHCRAFT INC. AND IS RELEASED ON A CONFIDENTIAL BASIS FOR IDENTIFICATION PURPOSES ONLY.									
SIZE	WIDTH	MULT	LBS/M	TEMPER					
FINISH					MATERIAL				
SPEC No.					SPEC No.				
FIRST USED ON					SCALE				
					3:1				
DATE DRAWN	BY	CHKD	APVD						
4-26-11	JEB	JEB	TJK						
			4-26-11			10-16-13			
NAME 3.5 MM LOCKING STEREO PLUG, RoHS								PART No. 35HDL_SERIES	
								REV A	